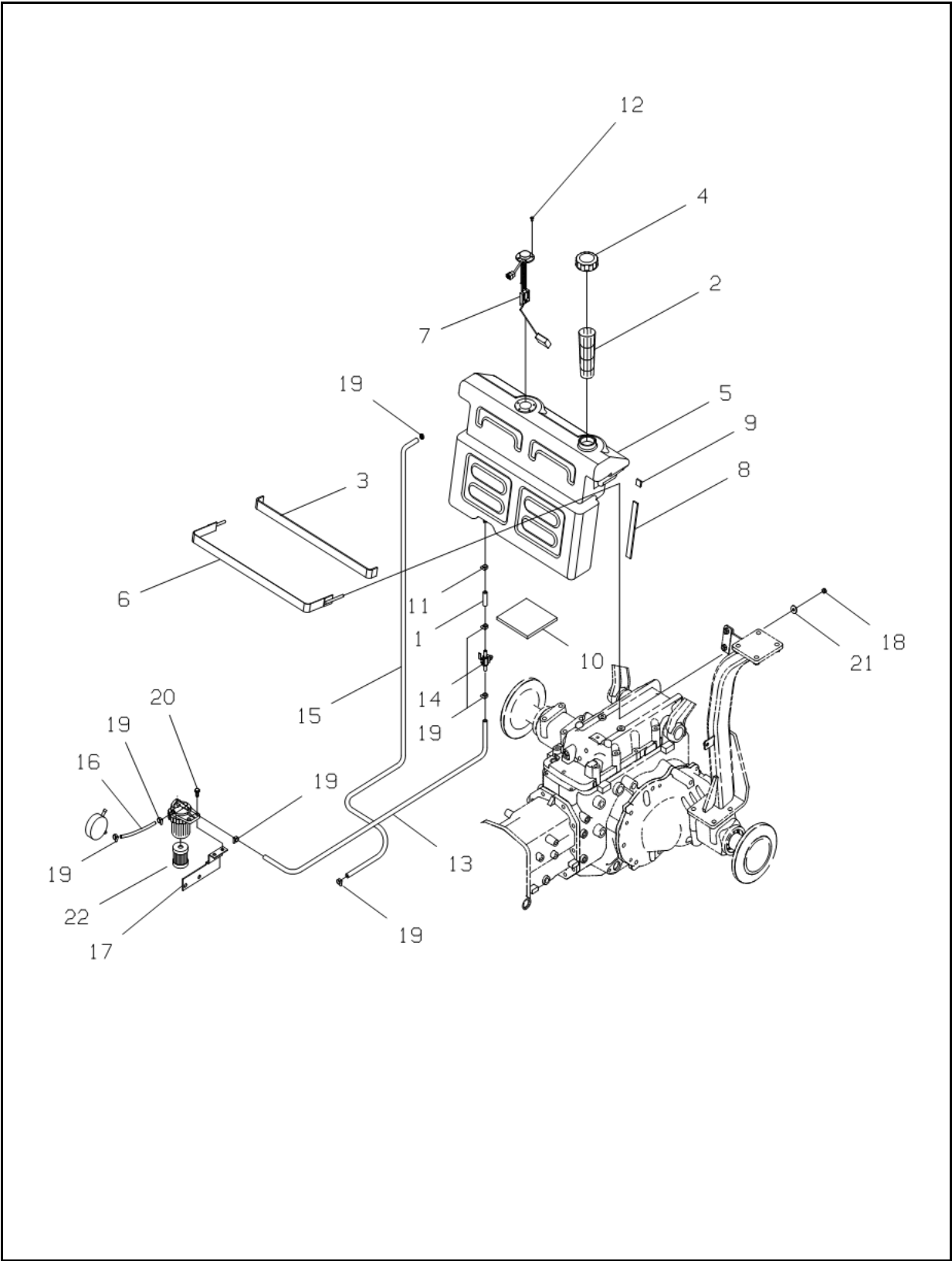


# FUEL SYSTEM (040)

FIG.2-1



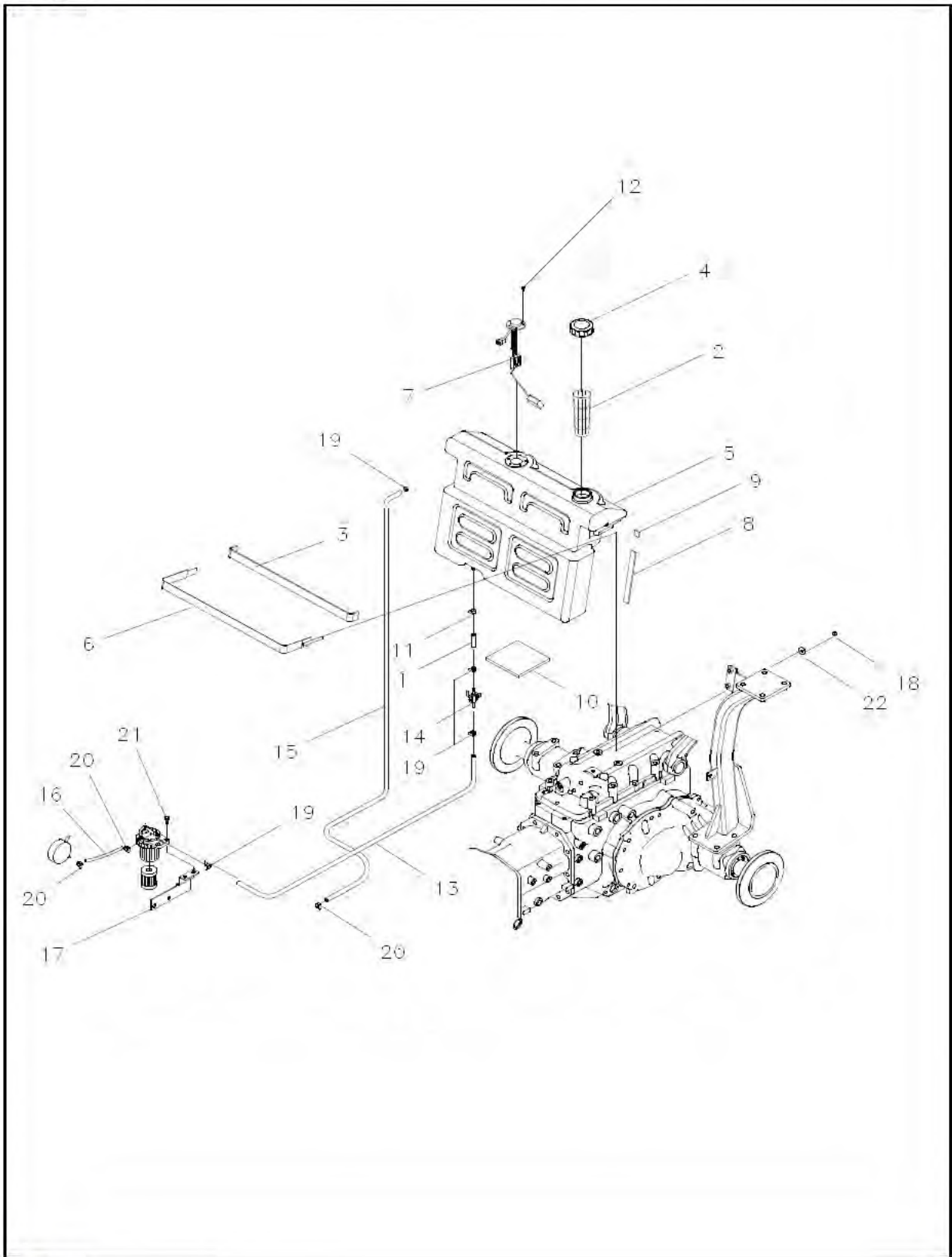
# FUEL SYSTEM (040)

**FIG.2-1**

NO.	PART NO.	PART NAME & DESCRIPTION	QTY		REMARK
			S27	S32	
1-12	A1040215	FUEL TANK ASSY	1	1	
1	A072E250	HOSE, FUEL	1	1	
2	A1040052	STRAINER, FUEL TANK	1	1	
3	A1040088	SPONGE	1	1	
4	A1040111	CAP, FUEL TANK	1	1	
5	A1040216	TANK, FUEL	1	1	
6	A1040217	BAND, FUEL TANK	1	1	
7	A1040218	GAGE, FUEL TANK	1	1	
8	A1040220	SPONGE, FUEL TANK	2	2	
9	A1040221	SPONGE, FUEL TANK	2	2	
10	A1040222	SPONGE, FUEL TANK	1	1	
11	A1970310	CLAMP, HOSE	1	1	
12	S227501211	SCREW, W/WASHER	5	5	M5x0.8x10
13	A1040074	HOSE, FUEL SUCTION	1	1	
14	A1040075	HOSE, FUEL	1	1	
15	A1040127	COCK,FUEL TANK	1	1	
16	Q1250013	HOSE, FILTER	1	1	
17	A1040214	BRACKET, FUEL FILTER	1	1	
18	A1877079	NUT, LOCK	2	2	
19	A1970380	CLAMP, HOSE	7	7	
20	S155082533	BOLT, HEX. W/WASHER	2	2	M8x1.25x25
21	S365082013	WASHER, PLN.	2	2	Φ20xΦ8.4x1.6t
22	86612-4316-1	ELEMENT(FUEL FILTER)	1	1	

# FUEL SYSTEM (040)

FIG.2-1



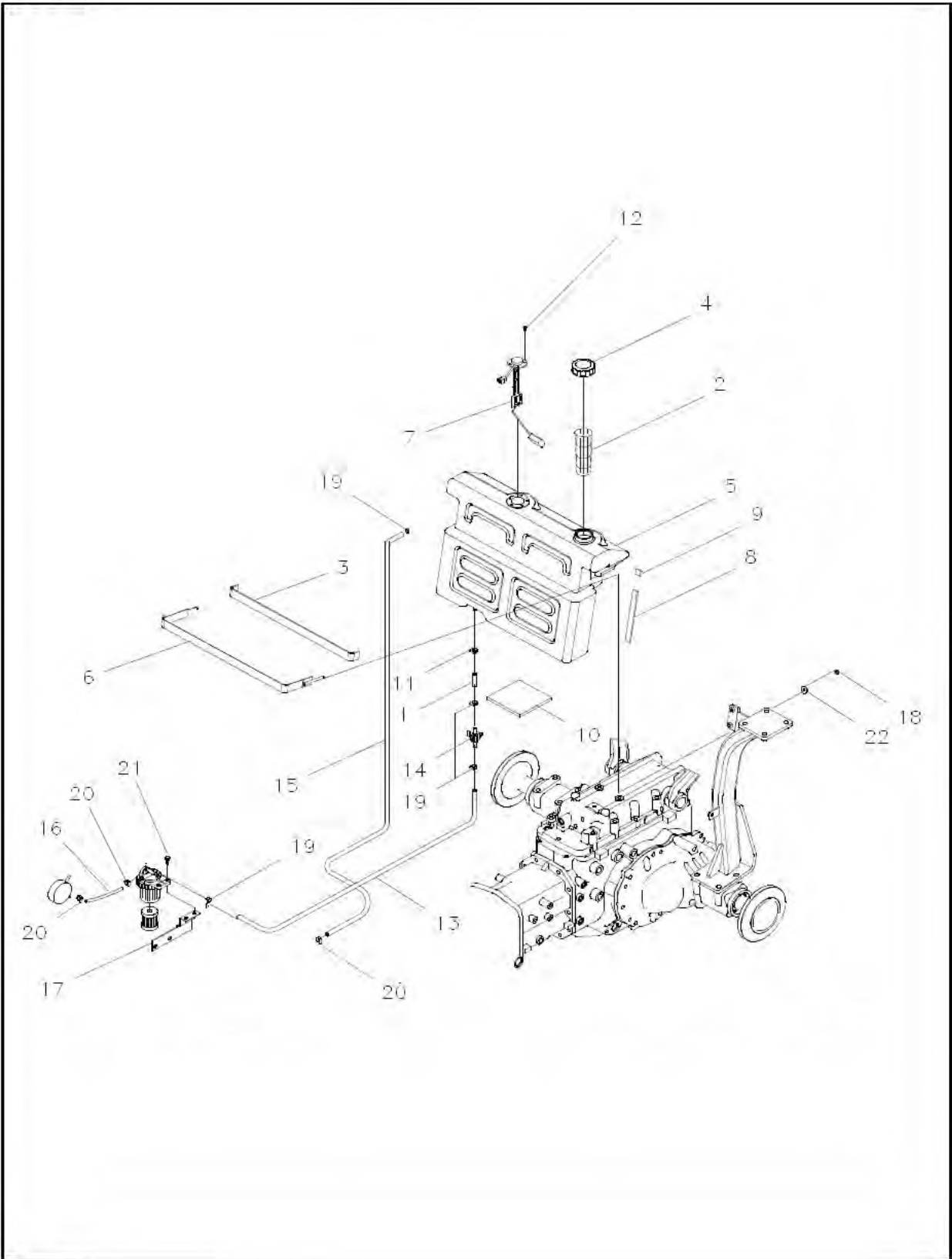
# FUEL SYSTEM (040)

**FIG.2-1**

NO.	PART NO.	PART NAME & DESCRIPTION	QTY		REMARK
			S27	S32	
1-12	A1040215	FUEL TANK ASSY	1	1	
1	A072E250	HOSE, FUEL	1	1	
2	A1040052	STRAINER, FUEL TANK	1	1	
3	A1040088	SPONGE	1	1	
4	A1040111	CAP, FUEL TANK	1	1	
5	A1040216	TANK, FUEL	1	1	
6	A1040217	BAND, FUEL TANK	1	1	
7	A1040218	GAGE, FUEL TANK	1	1	
8	A1040220	SPONGE, FUEL TANK	2	2	
9	A1040221	SPONGE, FUEL TANK	2	2	
10	A1040222	SPONGE, FUEL TANK	1	1	
11	A1970310	CLAMP, HOSE	1	1	
12	S227501211	SCREW, W/WASHER	5	5	M5x0.8x10
13	A1040074	HOSE, FUEL SUCTION	1	1	
14	A1040075	HOSE, FUEL	1	1	
15	A1040127	COCK,FUEL TANK	1	1	
16	Q1250013	HOSE, FILTER	1	1	
17	A1040214	BRACKET, FUEL FILTER	1	1	
18	A1877079	NUT, LOCK	2	2	
19	A1970310	CLAMP, HOSE	4	4	
20	A1970380	CLAMP, HOSE	3	3	
21	S155082533	BOLT, HEX. W/WASHER	2	2	M8x1.25x25
22	S365082013	WASHER, PLN.	2	2	Φ20xΦ8.4x1.6t

# FUEL SYSTEM (040)

FIG.2-1



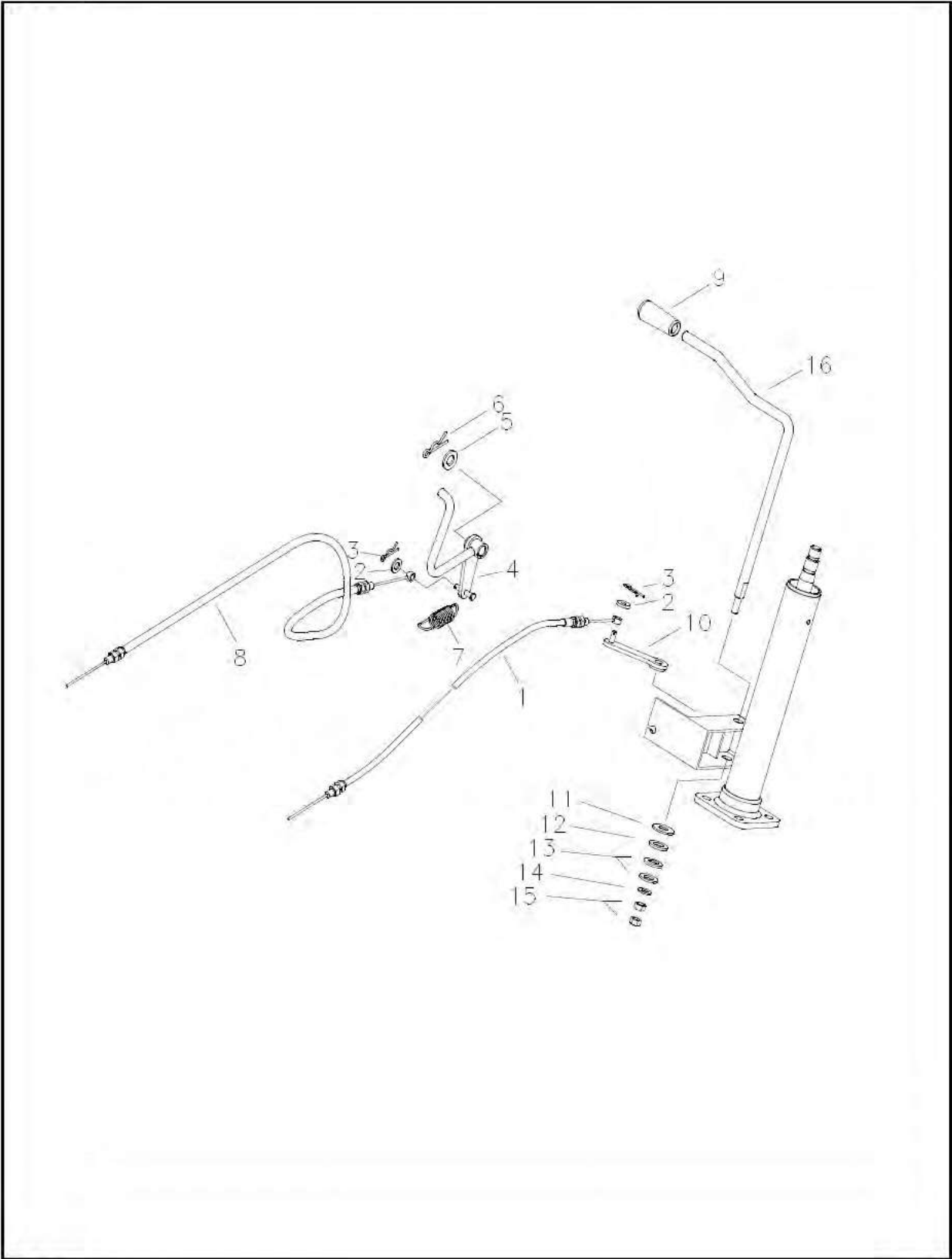
# FUEL SYSTEM (040)

**FIG.2-1**

NO.	PART NO.	PART NAME & DESCRIPTION	QTY		REMARK
			S27	S32	
1-12	A1040215	FUEL TANK ASSY	1	1	
1	A072E250	HOSE, FUEL	1	1	
2	A1040052	STRAINER, FUEL TANK	1	1	
3	A1040088	SPONGE	1	1	
4	A1040111	CAP, FUEL TANK	1	1	
5	A1040216	TANK, FUEL	1	1	
6	A1040217	BAND, FUEL TANK	1	1	
7	A1040218	GAGE, FUEL TANK	1	1	
8	A1040220	SPONGE, FUEL TANK	2	2	
9	A1040221	SPONGE, FUEL TANK	2	2	
10	A1040222	SPONGE, FUEL TANK	1	1	
11	A1970310	CLAMP, HOSE	1	1	
12	S227501211	SCREW, W/WASHER	5	5	M5x0.8x10
13	A1040074	HOSE, FUEL SUCTION	1	1	
14	A1040075	HOSE, FUEL	1	1	
15	A1040127	COCK,FUEL TANK	1	1	
16	Q1250013	HOSE, FILTER	1	1	
17	A1040214	BRACKET, FUEL FILTER	1	1	
18	A1877079	NUT, LOCK	2	2	
19	A1970310	CLAMP, HOSE	4	4	
20	A1970380	CLAMP, HOSE	3	3	
21	S155082533	BOLT, HEX. W/WASHER	2	2	M8x1.25x25
22	S365082013	WASHER, PLN.	2	2	Φ20xΦ8.4x1.6t

# ENGINE CONTROL (100)

FIG.2-2



# ENGINE CONTROL (100)

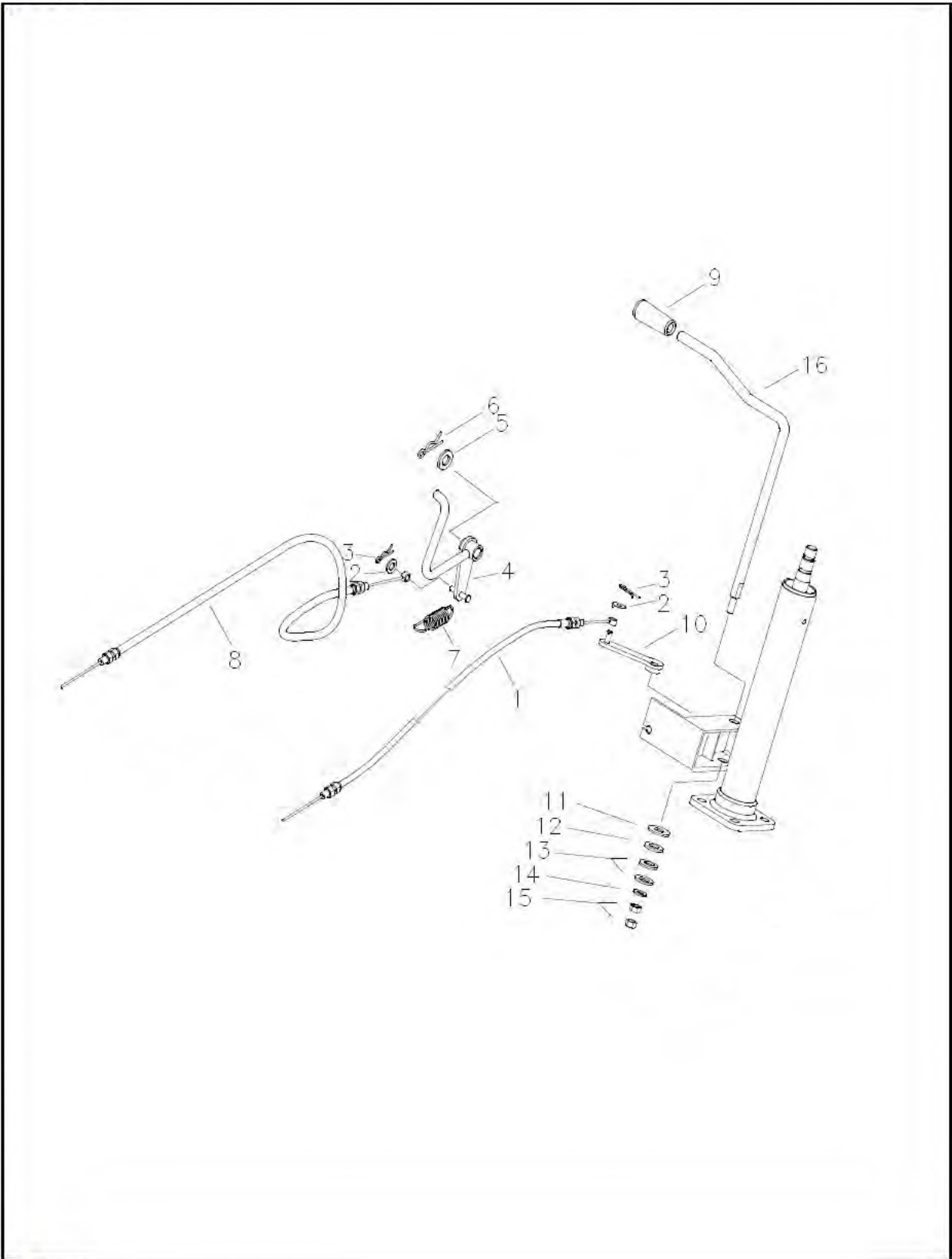
**FIG.2-2**

NO.	PART NO.	PART NAME & DESCRIPTION		QTY		REMARK
				S27	S32	
1	A1100105	WIRE, ACCE. LEVER		1	1	
2	A1970286	WASHER, PLASTIC		2	2	
3	S441251613	PIN, SPLIT	Φ4.6	2	2	
4	A1100096	PEDAL, ACCELERATOR		1	1	
5	S364120013	WASHER, PLAIN	Φ24xΦ13x2.5t	1	1	
6	S443120013	PIN, SNAP A-TY.	Φ1.8	1	1	
7	3A1100008	SPRING		1	1	
8	A1100104	WIRE, ACCELERATOR PEDAL		1	1	
9	A0710037	GRIP		1	1	
10	A1100076	ARM, ENG. CONTROL		1	1	
11	A1100058	PLATE, FRICTION		1	1	
12	S364120013	WASHER, PLN. F-RD		1	1	
13	S373120023	WASHER, CON. SPR		2	2	
14	S364080013	WASHER, PLN. F-RD		1	1	
15	S313080013	NUT, HEX. SMALL		2	2	
16	A1100052	LEVER, ACCELERATE		1	1	



# ENGINE CONTROL (100)

FIG.2-2



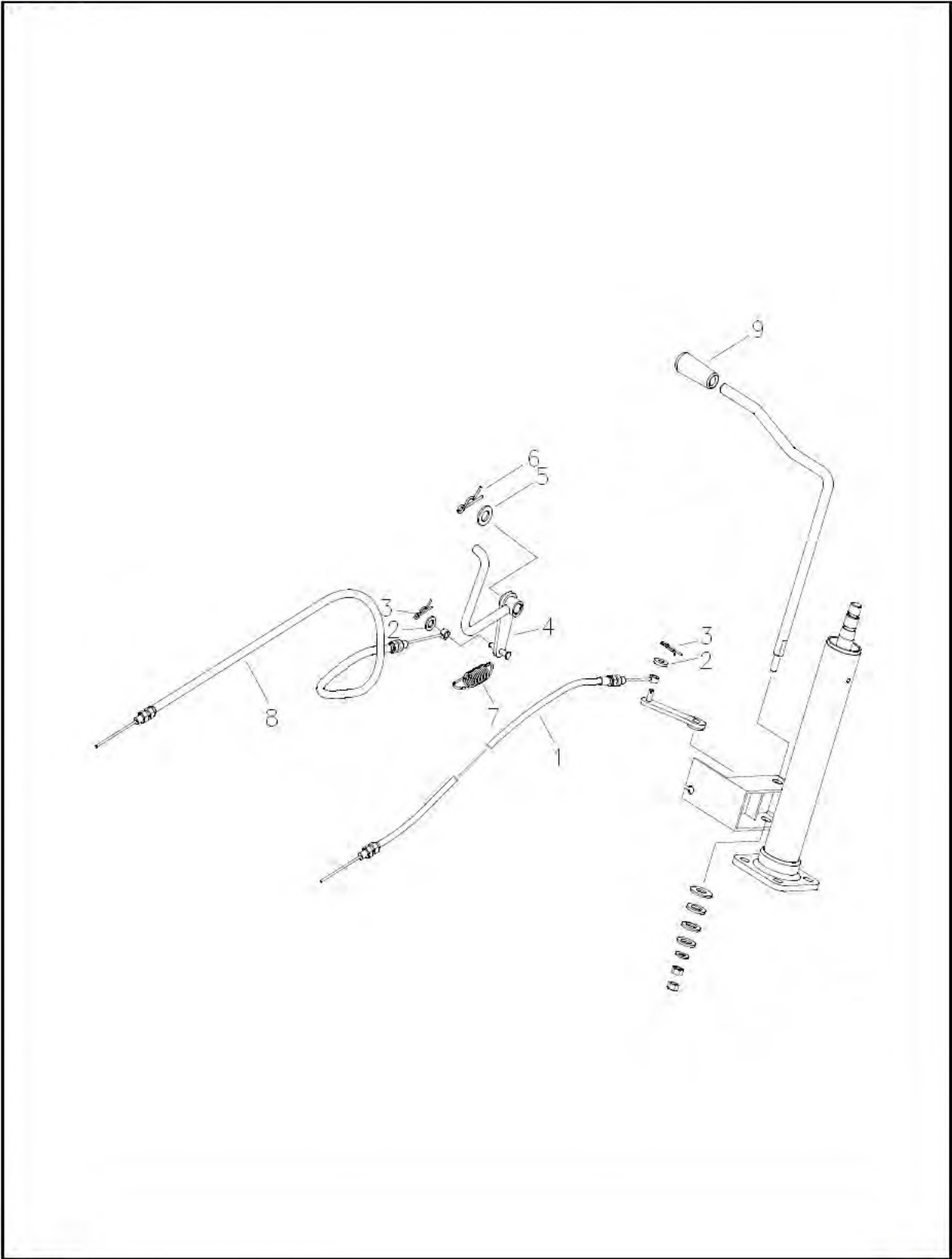
# ENGINE CONTROL (100)

**FIG.2-2**

NO.	PART NO.	PART NAME & DESCRIPTION		QTY		REMARK
				S27	S32	
1	A1100054	WIRE, ACCE. LEVER		1	1	
2	A1970286	WASHER, PLASTIC		2	2	
3	S441251613	PIN, SPLIT	Φ4.6	2	2	
4	A1100096	PEDAL, ACCELERATOR		1	1	
5	S364120013	WASHER, PLAIN	Φ24xΦ13x2.5t	1	1	
6	S443120013	PIN, SNAP A-TY.	Φ1.8	1	1	
7	3A1100008	SPRING		1	1	
8	A1100103	WIRE, ACCELERATOR PEDAL		1	1	
9	A0710037	GRIP		1	1	
10	A1100053	ARM, ENG. CONTROL		1	1	
11	A1100058	PLATE, FRICTION		1	1	
12	S364120013	WASHER, PLN. F-RD		1	1	
13	S373120023	WASHER, CON. SPR		2	2	
14	S364080013	WASHER, PLN. F-RD		1	1	
15	S313080013	NUT, HEX. SMALL		2	2	
16	A1100052	LEVER, ACCELERATE		1	1	

# ENGINE CONTROL (100)

FIG.2-2



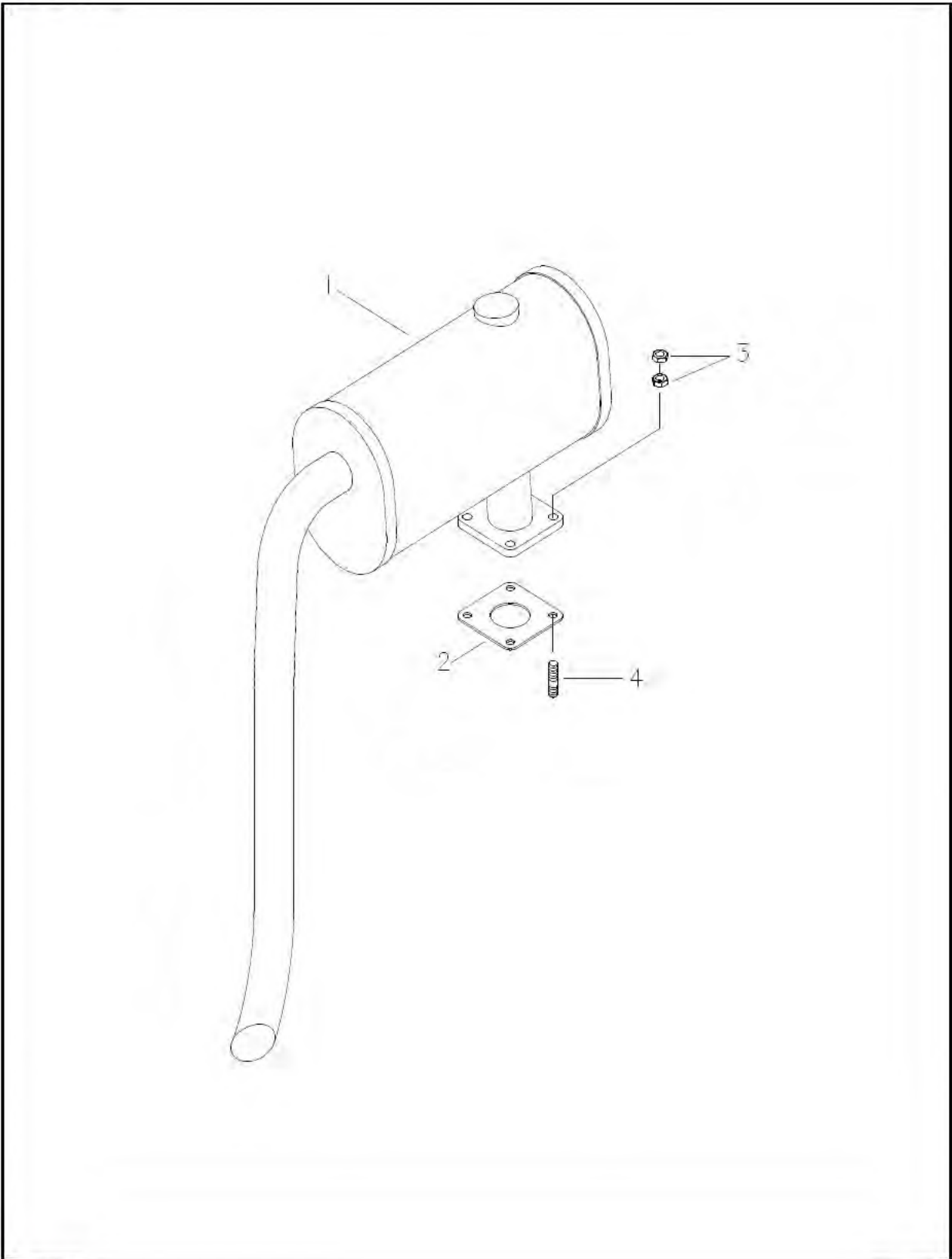
# ENGINE CONTROL (100)

**FIG.2-2**

NO.	PART NO.	PART NAME & DESCRIPTION		QTY		REMARK
				S27	S32	
1	A1100054	WIRE, ACCE. LEVER		1	1	
2	A1970286	WASHER, PLASTIC		2	2	
3	S441251613	PIN, SPLIT	Φ4.6	2	2	
4	A1100096	PEDAL, ACCELERATOR		1	1	
5	S364120013	WASHER, PLAIN	Φ24xΦ13x2.5t	1	1	
6	S443120013	PIN, SNAP A-TY.	Φ1.8	1	1	
7	3A1100008	SPRING		1	1	
8	A1100103	WIRE, ACCELERATOR PEDAL		1	1	
9	A0710037	GRIP		1	1	

# MUFFLER (150)

FIG.2-3



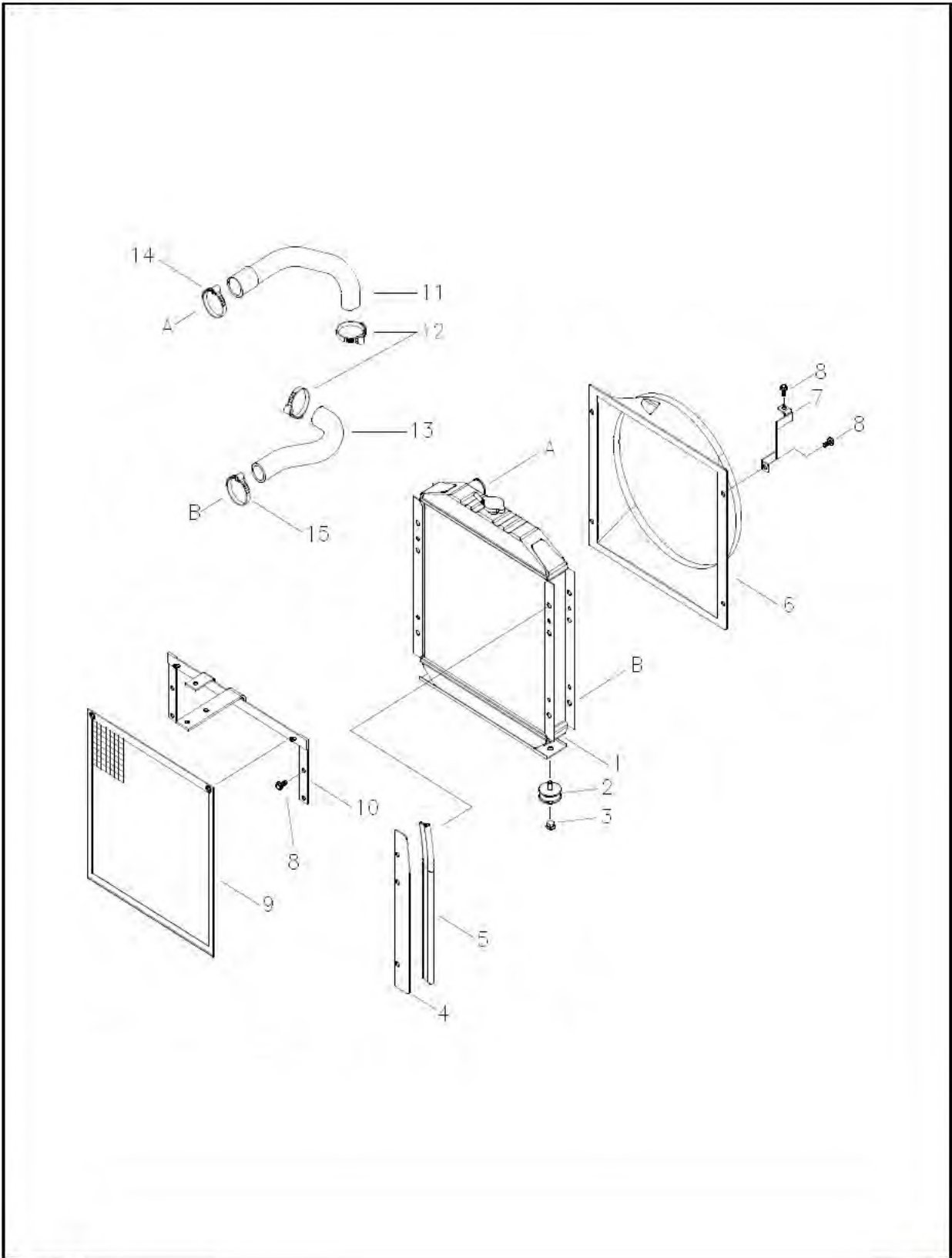
# MUFFLER (150)

FIG.2-3

NO.	PART NO.	PART NAME & DESCRIPTION		QTY		REMARK
				S27	S32	
1	A1151139	MUFFLER ASSY		1	1	
2	A1151125	GASKET, MUFFLER		1	1	
3	S313080070	NUT, HEX. S. 2-TY.	M8x1.25	8	8	
4	S139082533	BOLT, STUD	M8x1.25x25	4	4	

# RADIATOR (170)

FIG.2-4



# RADIATOR (170)

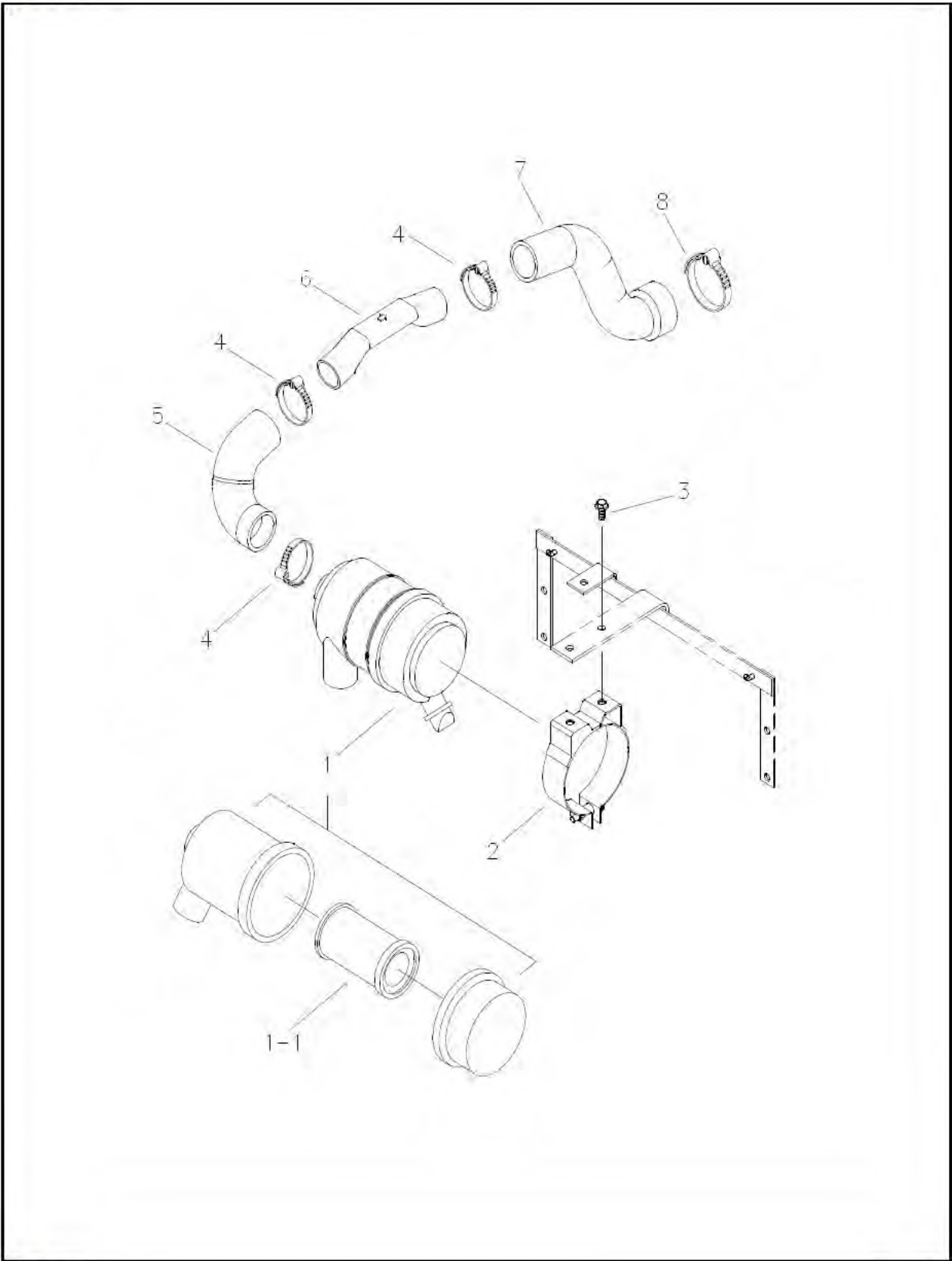
**FIG.2-4**

NO.	PART NO.	PART NAME & DESCRIPTION		QTY		REMARK
				S27	S32	
1	A1170223	RADIATOR		1	1	
2	A1970360	RUBBER, DAMPING		2	2	
3	S346100013	NUT, FLANGE BTY	M10x1.25	2	2	
4	A1170234	PLATE, WING		2	2	
5	A1170253	WEATHER STRIP		2	2	
6	A1170196	SHROUD, FAN		1	1	
7	A1170238	BRACKET, RADIATOR		1	1	
8	S155082033	BOLT, HEX. W/WASHER	M8x1.25x20	11	11	
9	A1170233	NET,FRONT		1	1	
10	A1190159	BRACKET, AIR CLEANER		1	1	
11	A1170231	HOSE, UPPER		1	1	
12	A1970201F	CLAMP, HOSE		1	1	
13	A1170232	HOSE, LOWER		1	1	
14	A1970201H	CLAMP, HOSE		1	1	
15	A1970201G	CLAMP, HOSE		1	1	



# AIR CLEANER (190)

FIG.2-5



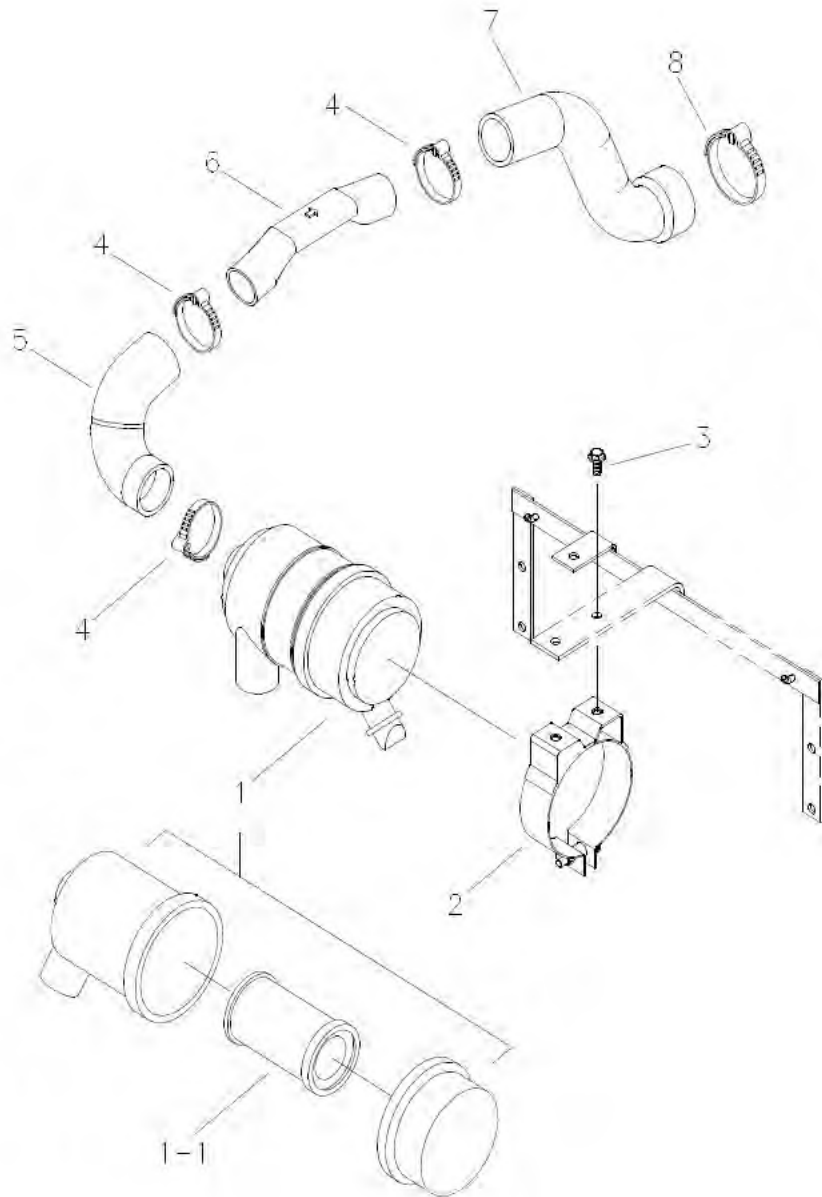
# AIR CLEANER (190)

**FIG.2-5**

NO.	PART NO.	PART NAME & DESCRIPTION		QTY		REMARK
				S27	S32	
1	A1190160	AIR CLEANER ASSY		1	1	
1-1	A1190168	ELEMENT, FILTER		1	1	
2	A1190158	BAND, AIR CLEANER		1	1	
3	S155082033	BOLT, HEX. W/WASHER	M8x1.25x20	2	2	
4	A1970201J	CLAMP, HOSE		3	3	
5	A1190156	HOSE, A AIR INTAKE		1	1	
6	A1190161	PIPE, INTERMEDIATE		1	1	
7	A1190155	HOSE, B AIR INTAKE		1	1	
8	A1970201H	CLAMP, HOSE		1	1	

# AIR CLEANER (190)

FIG.2-5



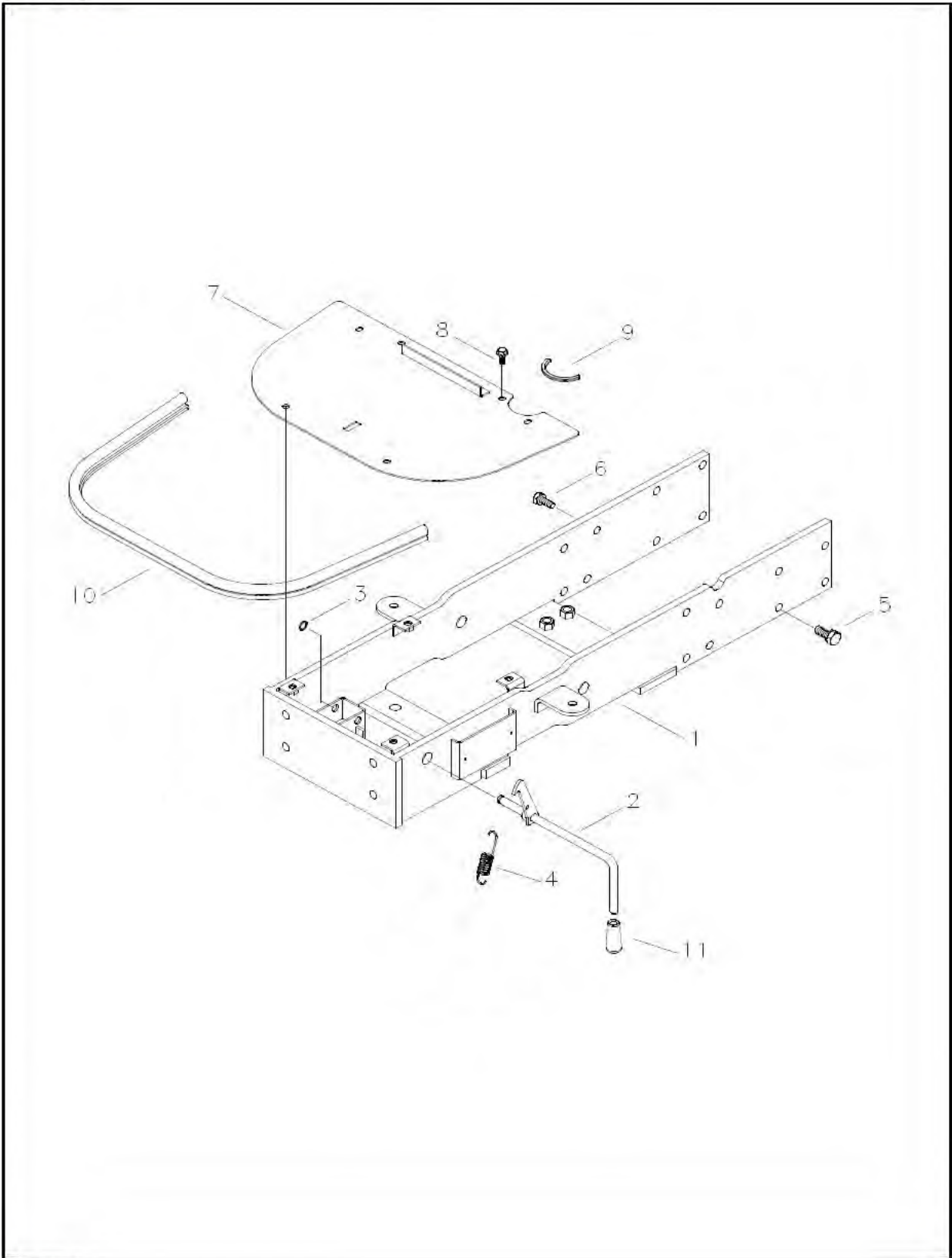
# AIR CLEANER (190)

**FIG.2-5**

NO.	PART NO.	PART NAME & DESCRIPTION		QTY		REMARK
				S27	S32	
1	A1822073	AIR CLEANER ASSY		1	1	
1-1	A1190168	ELEMENT, FILTER		1	1	
2	A1190158	BAND, AIR CLEANER		1	1	
3	S155082033	BOLT, HEX. W/WASHER	M8x1.25x20	2	2	
4	A1970201K	CLAMP, HOSE		3	3	
5	A1190156	HOSE, A AIR INTAKE		1	1	
6	A1190161	PIPE, INTERMEDIATE		1	1	
7	A1190155	HOSE, B AIR INTAKE		1	1	
8	A1970201H	CLAMP, HOSE		1	1	

# ENGINE FRAME (210)

FIG.2-6



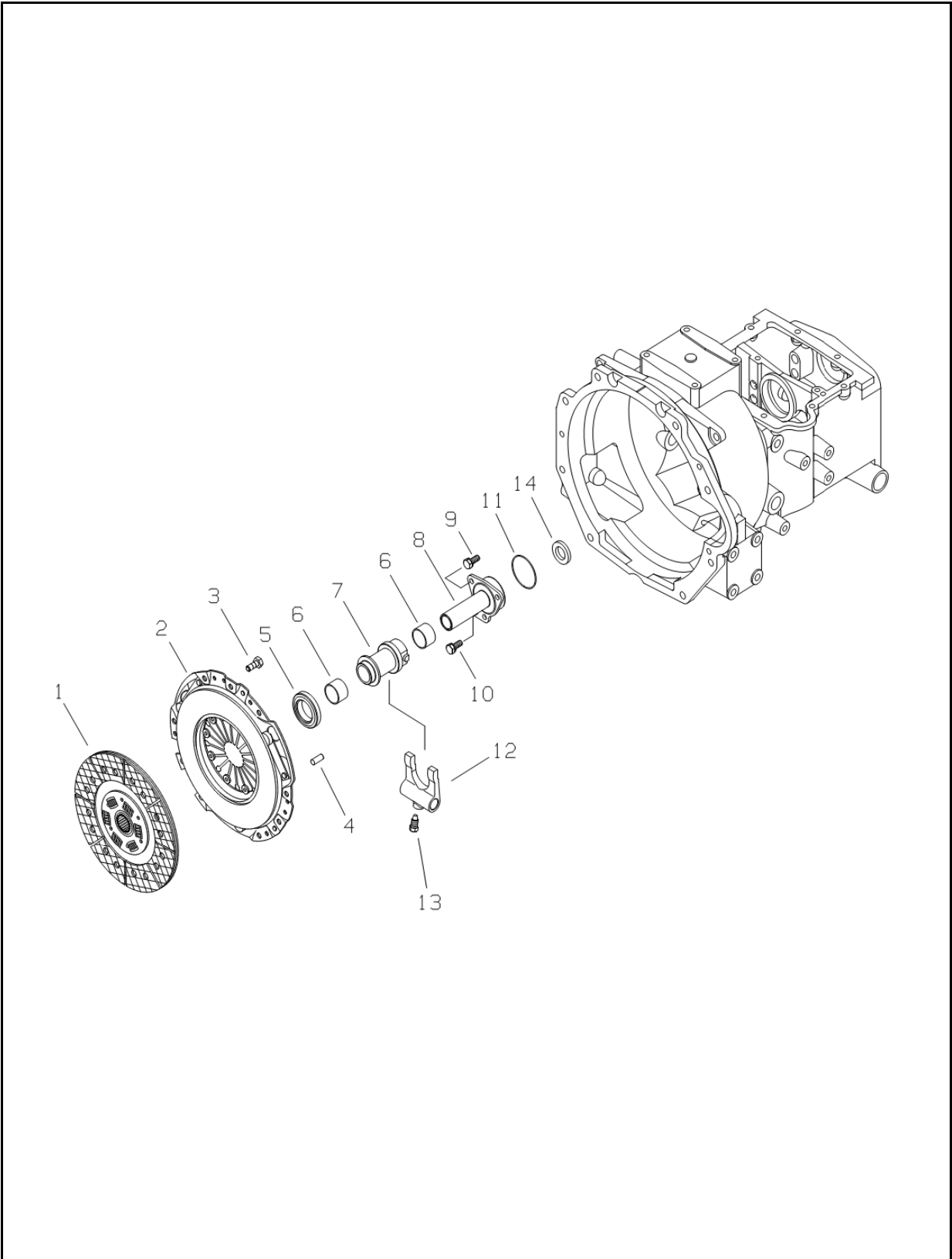
# ENGINE FRAME (210)

**FIG.2-6**

NO.	PART NO.	PART NAME & DESCRIPTION		QTY		REMARK
				S27	S32	
1	A1210113	FRAME, ENGINE		1	1	
2	A1210112	HOOK, GRILLE		1	1	
3	S810012001	RING, SNAP (C) H.	Φ11.1	1	1	
4	A1830248	SPRING		1	1	
5	S154123533	BOLT, HEX. W/WASHER	M12x1.25x35	15	15	
6	S154102533	BOLT, HEX. W/WASHER	M10x1.25x25	1	1	
7	A1210111	PLATE, BOTTOM		1	1	
8	S155082033	BOLT, HEX. W/WASHER	M8x1.25x20	4	4	
9	A1970377	STRIP		1	1	
10	A1170254	WEATHER STRIP		1	1	
11	A0710037	GRIP		1	1	

# CLUTCH (250)

FIG.3-1A



# CLUTCH (250)

**FIG.3-1A**

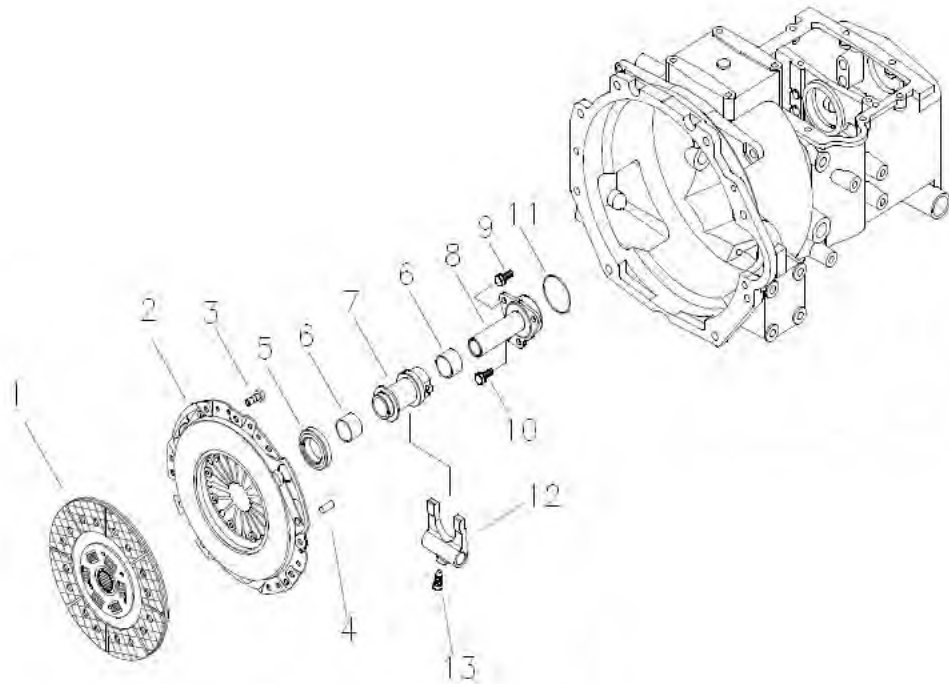
**(SINGLE CLUTCH)**

NO.	PART NO.	PART NAME & DESCRIPTION	QTY		REMARK
			S27	S32	
1-2	A1250132	CLUTCH, ASSY	1	1	
1	A1250135	CLUTCH DISK ASSY	1	1	
2	A1250136	CLUTCH COVER ASSY	1	1	
3	S153082033	BOLT, HEX. W/WASHER	M8x1.25x20	6	6
4	S421081410	PIN, DOWEL	Φ8x14L	3	3
5	A1250062	BEARING, RELEASE		1	1
6~7	A1250137	HUB ASSY, RELEASE BRG.		1	1
6	A0678025	BUSHING, DU		2	2
7	A1250131	HUB, RELEASE BEARING		1	1
8	A1250129	COVER, MAIN SHAFT(SINGLE)		1	1
9	S154102033	BOLT, HEX. W/WASHER	M10x1.25x20	3	3
10	S154102533	BOLT, HEX. W/WASHER	M10x1.25x25	1	1
11	S804067010	O-RING	D66.5x2.0	1	1
12	A1250045	LEVER, CLUTCH SHIFT		1	1
13	A1250047	BOLT, LOCKING		1	1
14	A0653231	SEAL, OIL		1	1



# CLUTCH (250)

FIG.3-1



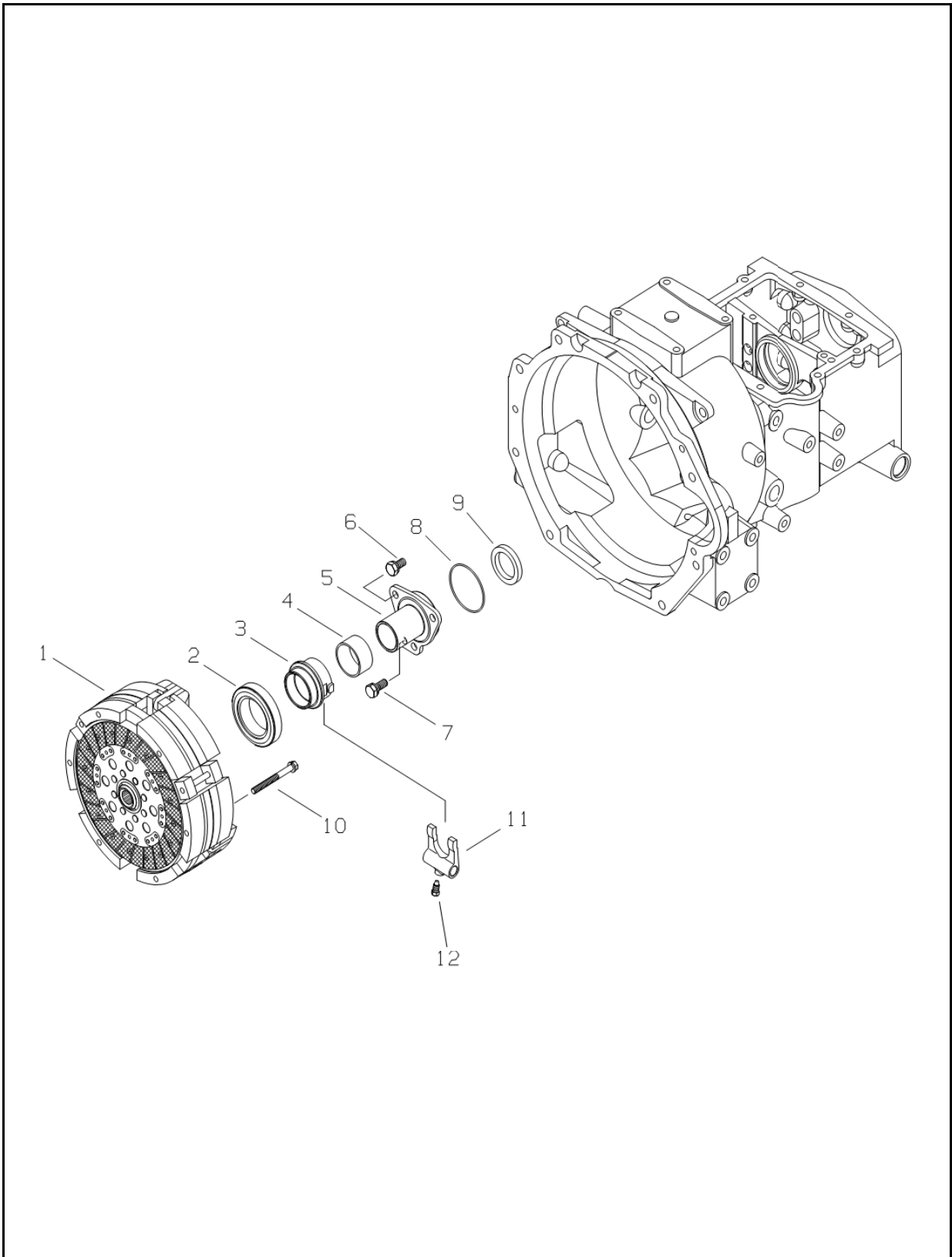
# CLUTCH (250)

FIG.3-1

NO.	PART NO.	PART NAME & DESCRIPTION		QTY		REMARK
				S27	S32	
1-2	A1250132	CLUTCH, ASSY		1	1	
1	A1250135	CLUTCH DISK ASSY		1	1	
2	A1250136	CLUTCH COVER ASSY		1	1	
3	S153082033	BOLT, HEX. W/WASHER	M8x1.25x20	6	6	
4	S421081410	PIN, DOWEL	Φ8x14L	3	3	
5	A1250062	BEARING, RELEASE		1	1	
6-7	A1250137	HUB ASSY, RELEASE BRG.		1	1	
6	A0678025	BUSHING, DU		2	2	
7	A1250131	HUB, RELEASE BEARING		1	1	
8	A1250129	COVER, MAIN SHAFT(SINGLE)		1	1	
9	S154102033	BOLT, HEX. W/WASHER	M10x1.25x20	3	3	
10	S154102533	BOLT, HEX. W/WASHER	M10x1.25x25	1	1	
11	S804067010	O-RING	D66.5x2.0	1	1	
12	A1250045	LEVER, CLUTCH SHIFT		1	1	
13	A1250047	BOLT, LOCKING		1	1	

# CLUTCH (250)

FIG.3-1B



# CLUTCH (250)

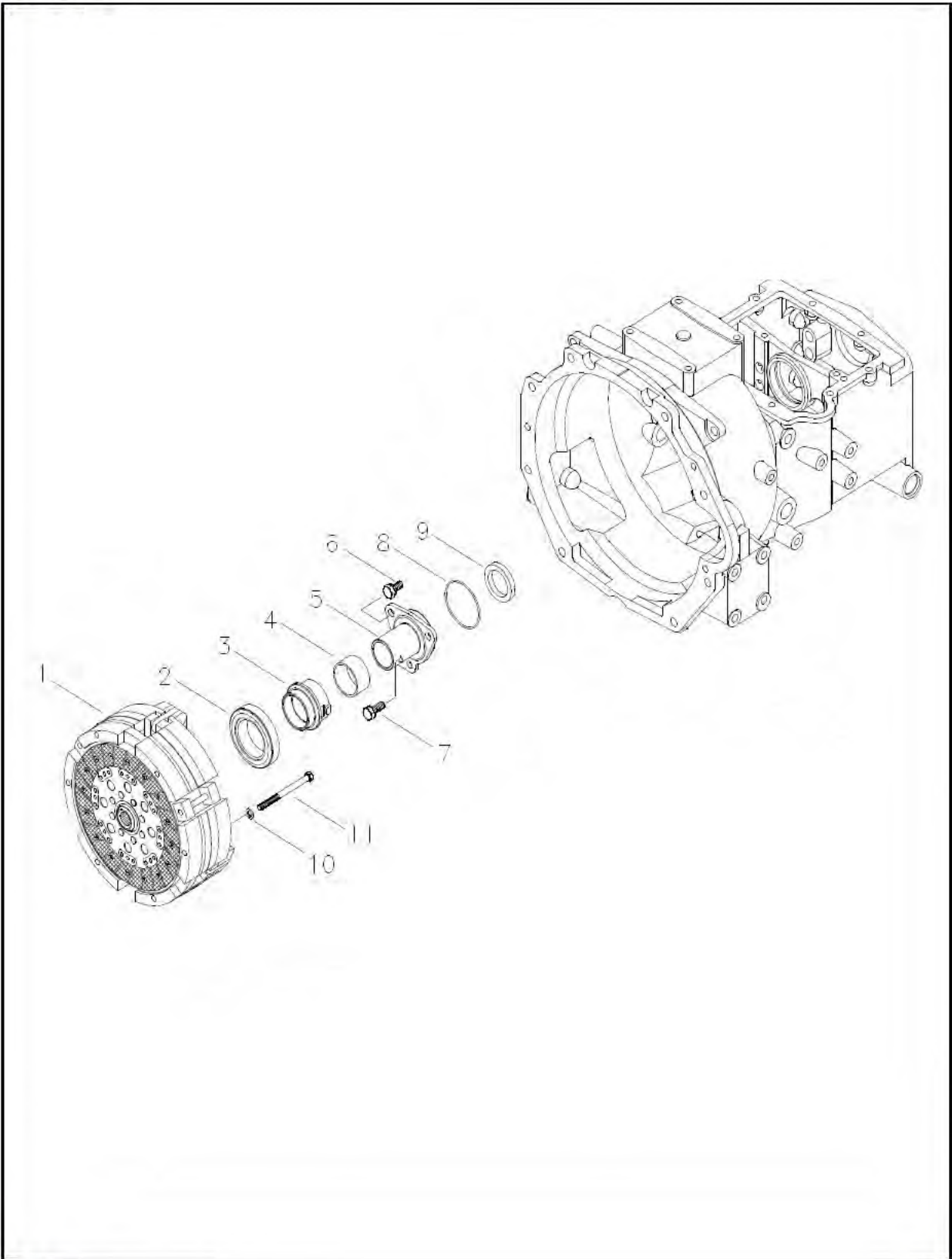
**FIG.3-1B**

**(DUAL CLUTCH)**

NO.	PART NO.	PART NAME & DESCRIPTION	QTY		REMARK
			S27	S32	
1	A1250152	CLUTCH, ASSY	1	1	
2	A5000578	BEARING, RELEASE	1	1	
3~4	A1250095	HUB ASSY, RELEASE BRG.	1	1	
3	A1250071	HUB, RELEASE BRG.	1	1	
4	A1970236	BUSHING, DU	1	1	
5	A1250130	COVER, MAIN SHAFT(DUAL)	1	1	
6	S154102033	BOLT, HEX. W/WASHER	3	3	
7	S154102533	BOLT, HEX. W/WASHER	1	1	
8	S804067010	O-RING	1	1	
9	A0651402	SEAL, OIL	1	1	
10	S153088033	BOLT, HEX. W/WASHER	6	6	
11	A1250073	LEVER, CLUTCH SHIFT	1	1	
12	A1250047	BOLT, LOCKING	1	1	

# CLUTCH (250)

FIG.11-1



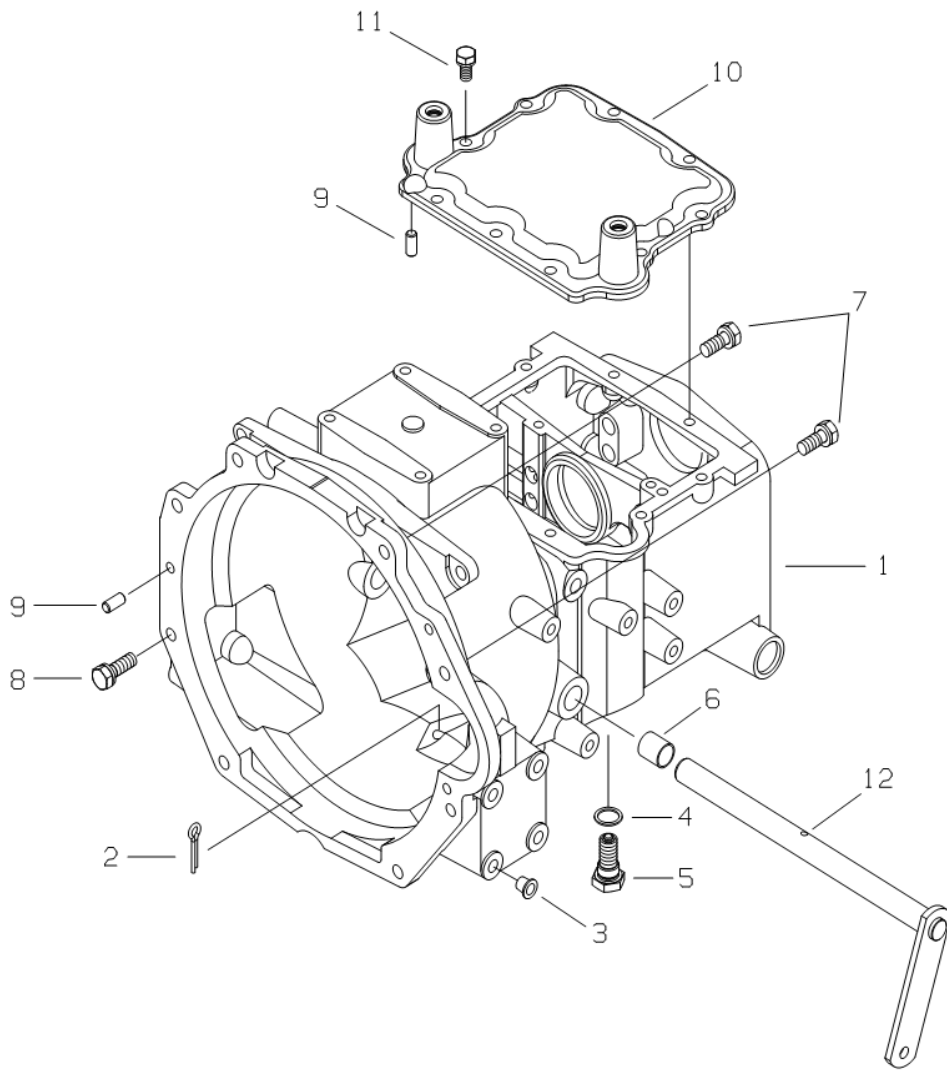
# CLUTCH (250)

**FIG.3-1B**

NO.	PART NO.	PART NAME & DESCRIPTION	QTY		REMARK
			S27	S32	
1	A1250152	CLUTCH, ASSY	1	1	
2	A1250056	BEARING, RELEASE	1	1	
3~4	A1250095	HUB ASSY, RELEASE BRG.	1	1	
3	A1250071	HUB, RELEASE BRG.	1	1	
4	A1970236	BUSHING, DU	1	1	
5	A1250130	COVER, MAIN SHAFT(DUAL)	1	1	
6	S154102033	BOLT, HEX. W/WASHER	3	3	
7	S154102533	BOLT, HEX. W/WASHER	1	1	
8	S804067010	O-RING	1	1	
9	A0651402	SEAL, OIL	1	1	
10	S361080013	WASHER, SPRING 1-TY	6	6	
11	S106081043	BOLT, HEX. W/WASHER	6	6	

# CLUTCH (250)

FIG.3-2



# CLUTCH (250)

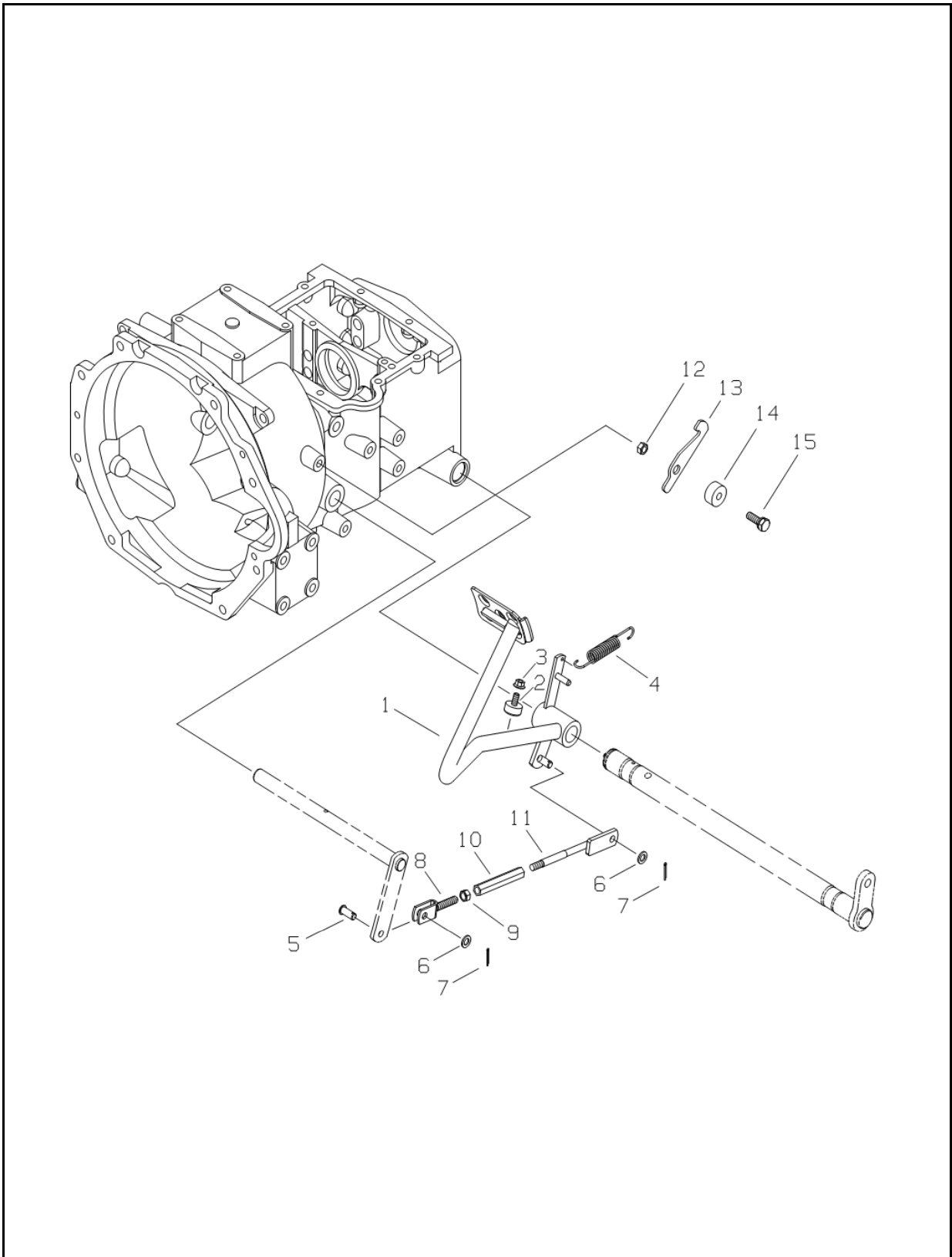
**FIG.3-2**

NO.	PART NO.	PART NAME & DESCRIPTION		QTY		REMARK
				S27	S32	
1	A1250128	HOUSING, CLUTCH		1	1	
2	A1250123	PIN, SPLIT		1	1	
3	3A1970068	PLUG		8	8	
4	A10263360	SEAL		1	1	
5	3A1250013	PLUG, DRAIN		1	1	
6	A0677525	BUSHING, DU	Φ20xΦ23x25L	2	2	
7	S153123033	BOLT, HEX. W/WASHER	M12x1.75x30	2	2	
8	S153123533	BOLT, HEX. W/WASHER	M12x1.75x35	6	6	
9	S423102010	PIN, PAR. A-TY. (h7)	Φ10x20L	4	4	
10	A1250151	COVER, CLUTCH HSG.		1	1	
11	S154102033	BOLT, HEX. W/WASHER	M10x1.25x20	9	9	
12	A1260092	SHAFT, CLUTCH LEVER		1	1	



# CLUTCH PEDAL (260)

FIG.3-3A



# CLUTCH PEDAL (260)

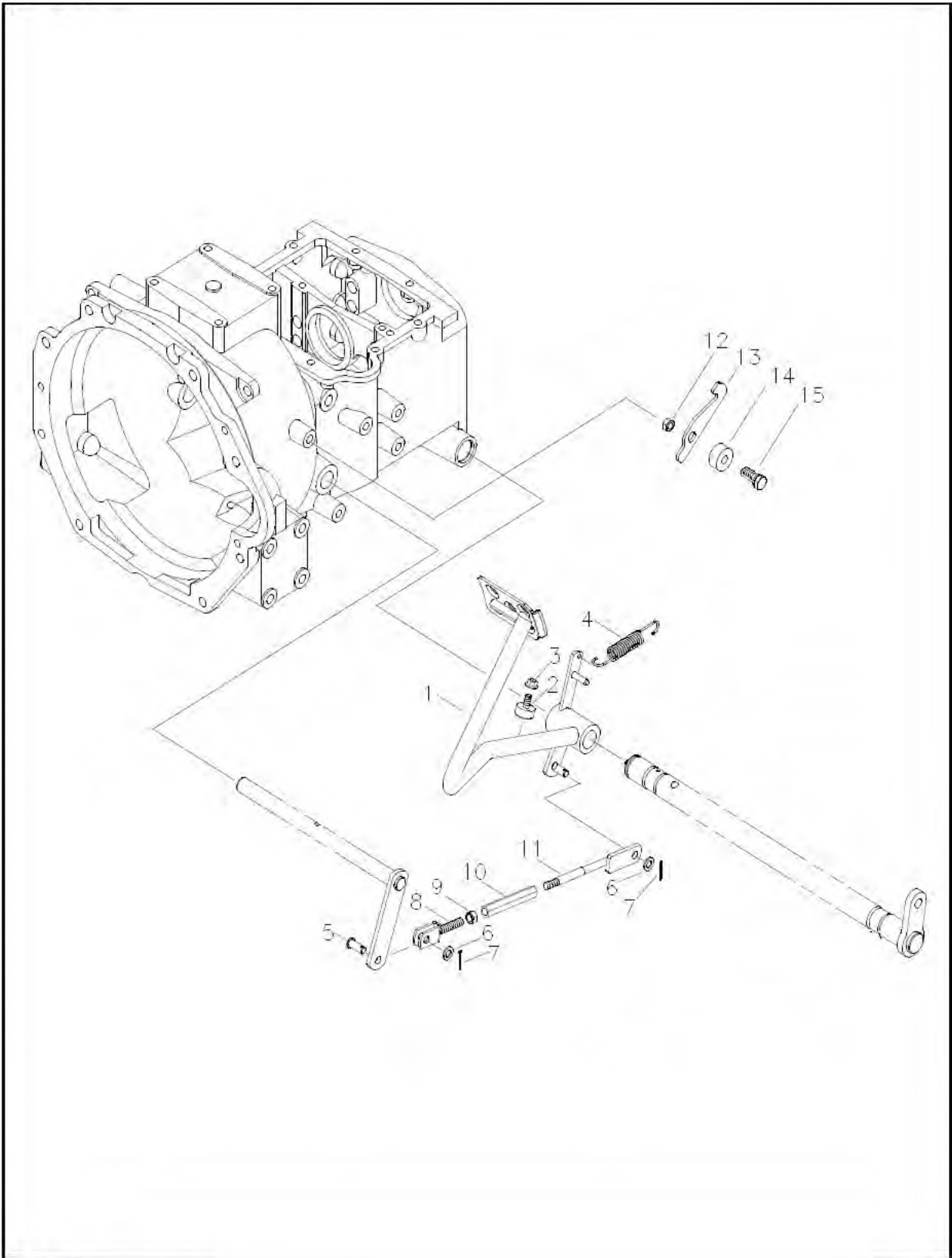
**FIG.3-3A**

**(SINGLE CLUTCH)**

NO.	PART NO.	PART NAME & DESCRIPTION		QTY		REMARK
				S27	S32	
1	A1260091	PEDAL, CLUTCH		1	1	
2	A3260012	RUBBER		1	1	
3	S345080013	NUT, FLANGE B-TY.	M8x1.25	1	1	
4	A1260110	SPRING		1	1	
5	A1670118	PIN		1	1	
6	S364100013	WASHER, PLN. S-RD.	Φ18xΦ10.5x2t	2	2	
7	S441252013	PIN, SPLIT		2	2	
8-11	A1260089	CLUTCH ROD ASSY		1	1	
8	A1260069	LINK, CLUTCH		1	1	
9	S314100013	NUT, HEX. S. 2-TY.	M10x1.25	1	1	
10	A1260078	ADJUSTER, CONTROL		1	1	
11	A1260090	ROD, CLUTCH		1	1	
12	S306100043	NUT, HEX. 2-TY.	M10x1.25	1	1	
13	A1260106	HOOK, PEDAL		1	1	
14	A1260093	STOPPER, CLUTCH PEDAL		1	1	
15	S103104043	BOLT, HEX	M10x1.25x40	1	1	

# CLUTCH PEDAL (260)

FIG.3-3



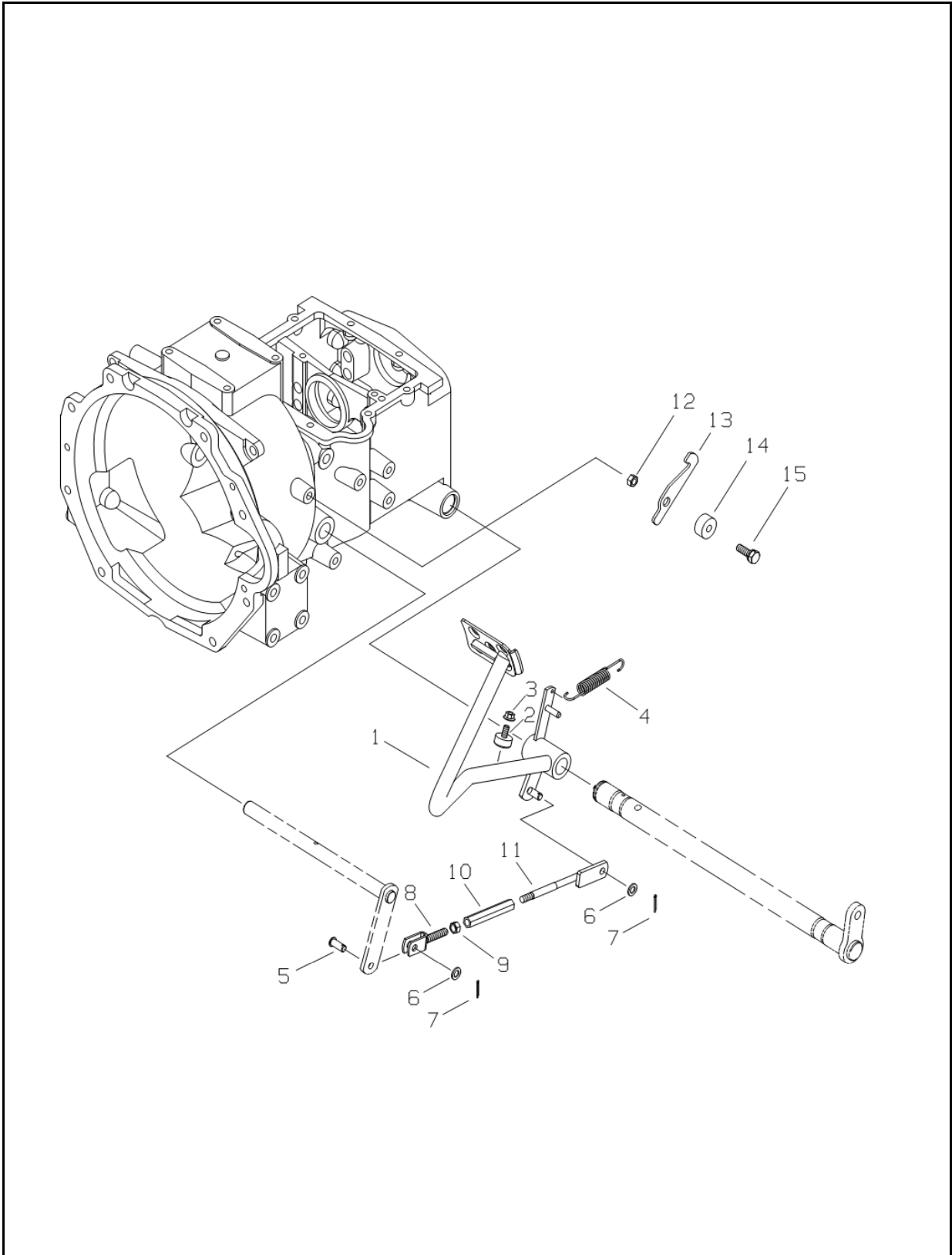
# CLUTCH PEDAL (260)

**FIG.3-3A**

NO.	PART NO.	PART NAME & DESCRIPTION		QTY		REMARK
				S27	S32	
1	A1260091	PEDAL, CLUTCH		1	1	
2	A3260012	RUBBER		1	1	
3	S345080013	NUT, FLANGE B-TY.	M8x1.25	1	1	
4	A1260110	SPRING		1	1	
5	A1670118	PIN		1	1	
6	S363100013	WASHER, PLN. S-RD.	Φ18xΦ10.5x2t	2	2	
7	S441302013	PIN, SPLIT		2	2	
8-11	A1260089	CLUTCH ROD ASSY		1	1	
8	A1260069	LINK, CLUTCH		1	1	
9	S314100013	NUT, HEX. S. 2-TY.	M10x1.25	1	1	
10	A1260078	ADJUSTER, CONTROL		1	1	
11	A1260090	ROD, CLUTCH		1	1	
12	S306010043	NUT, HEX	M10x1.25	1	1	
13	A1260106	HOOK, PEDAL		1	1	
14	A1260093	STOPPER, CLUTCH PEDAL		1	1	
15	S103104043	BOLT, HEX	M10x1.25x40	1	1	

# CLUTCH PEDAL (260)

FIG.3-3B



# CLUTCH PEDAL (260)

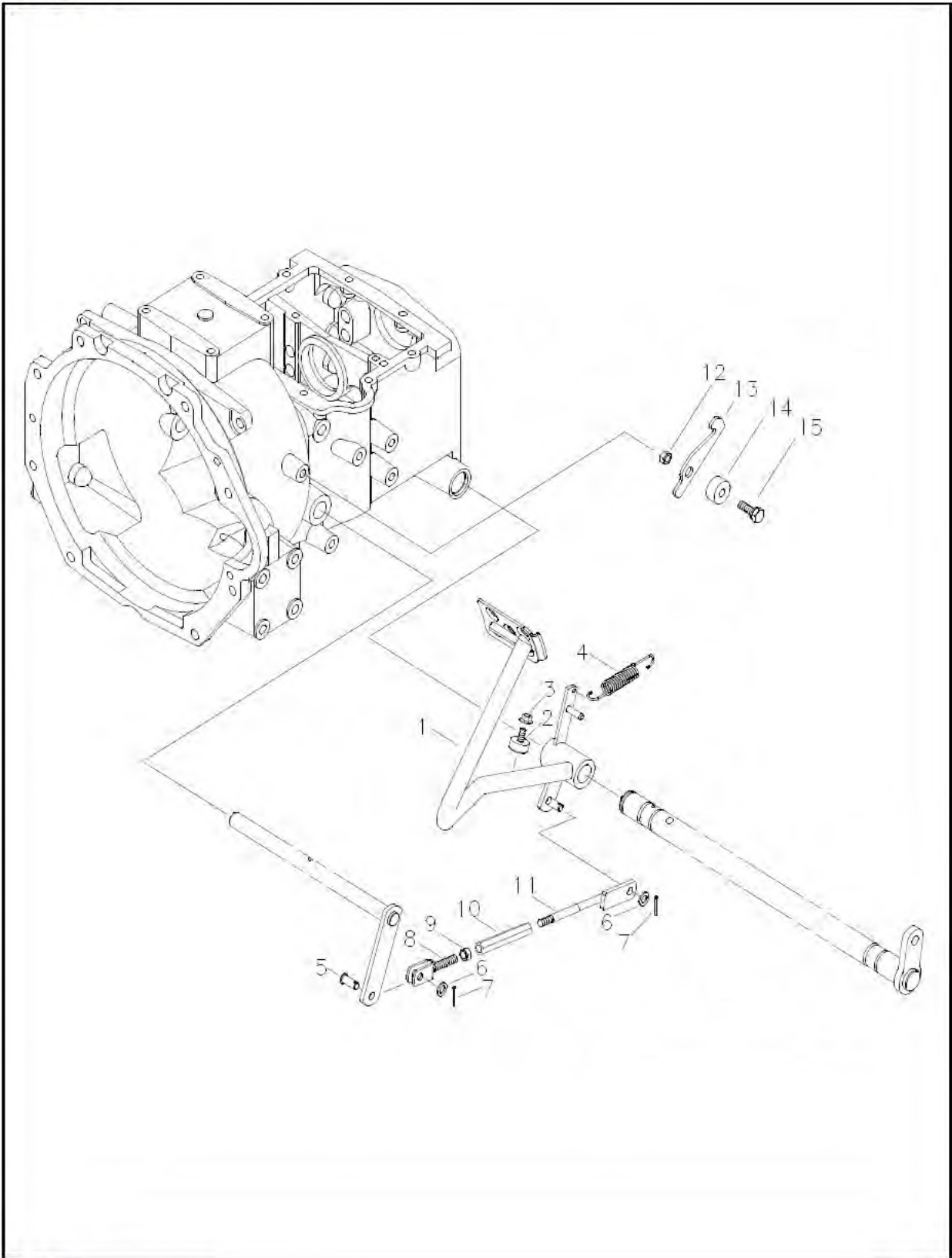
**FIG.3-3B**

**(DUAL CLUTCH)**

NO.	PART NO.	PART NAME & DESCRIPTION		QTY		REMARK
				S27	S32	
1	A1260108	PEDAL, CLUTCH(DUAL)		1	1	
2	A3260012	RUBBER		1	1	
3	S345080013	NUT, FLANGE B-TY.	M8x1.25	1	1	
4	A1260110	SPRING		1	1	
5	A1670118	PIN		1	1	
6	S364100013	WASHER, PLN. S-RD.	Φ18xΦ10.5x2t	3	3	
7	S441252013	PIN, SPLIT		2	2	
8-11	A1260089	CLUTCH ROD ASSY		1	1	
8	A1260069	LINK, CLUTCH		1	1	
9	S314100013	NUT, HEX. S. 2-TY.	M10x1.25	1	1	
10	A1260078	ADJUSTER, CONTROL		1	1	
11	A1260090	ROD, CLUTCH		1	1	
12	S306100043	NUT, HEX. 2-TY	M10x1.25	1	1	
13	A1260106	HOOK, PEDAL		1	1	
14	A1260093	STOPPER, CLUTCH PEDAL		1	1	
15	S103104043	BOLT, HEX	M10x1.25x40	1	1	

# CLUTCH PEDAL (260)

FIG.11-2



# CLUTCH PEDAL (260)

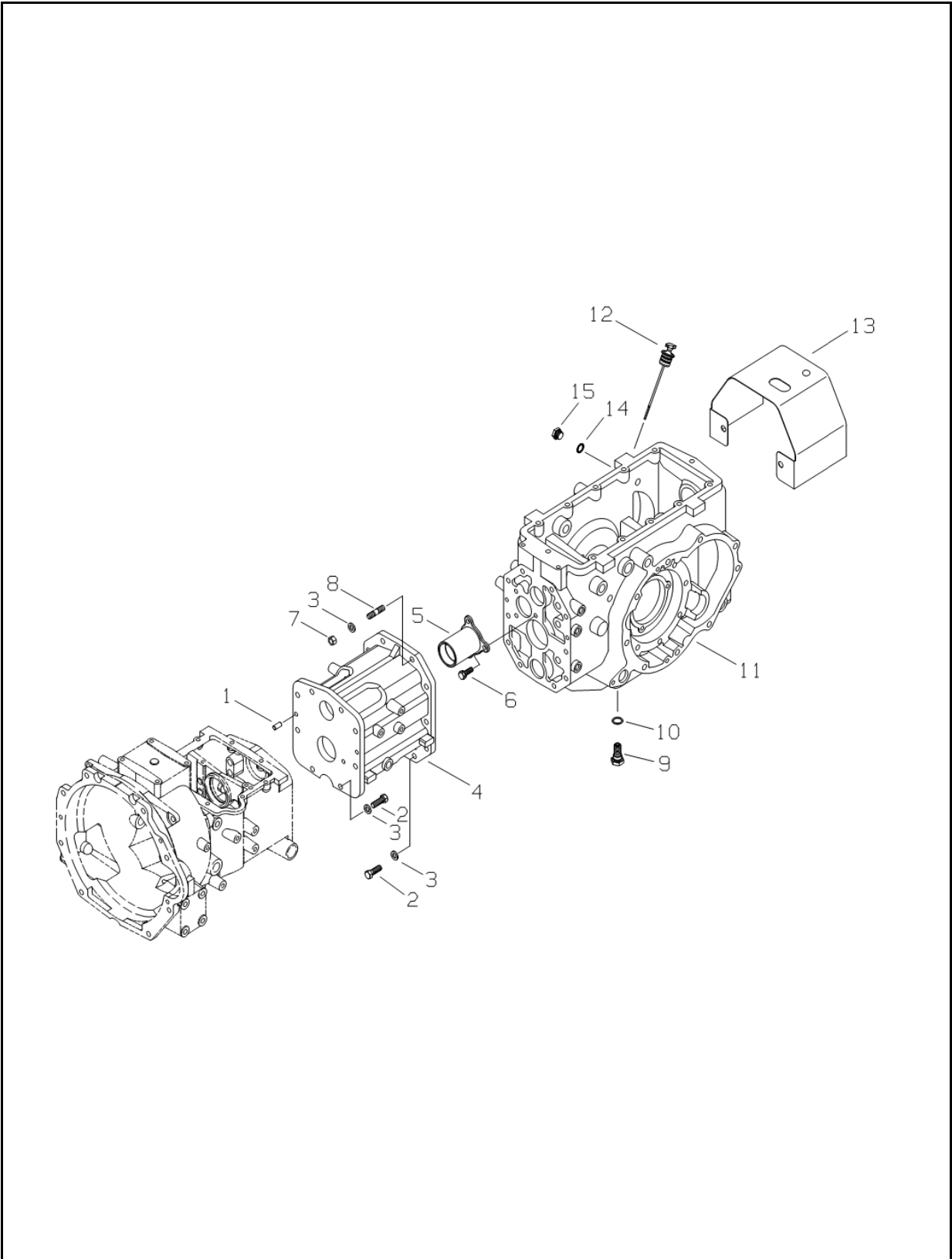
**FIG.3-3B**

NO.	PART NO.	PART NAME & DESCRIPTION		QTY		REMARK
				S27	S32	
1	A1260108	PEDAL, CLUTCH(DUAL)		1	1	
2	A3260012	RUBBER		1	1	
3	S345080013	NUT, FLANGE B-TY.	M8x1.25	1	1	
4	A1260110	SPRING		1	1	
5	A1670118	PIN		1	1	
6	S363100013	WASHER, PLN. S-RD.	Φ18xΦ10.5x2t	3	3	
7	S441302013	PIN, SPLIT		2	2	
8-11	A1260089	CLUTCH ROD ASSY		1	1	
8	A1260069	LINK, CLUTCH		1	1	
9	S314100013	NUT, HEX. S. 2-TY.	M10x1.25	1	1	
10	A1260078	ADJUSTER, CONTROL		1	1	
11	A1260090	ROD, CLUTCH		1	1	
12	S306010043	NUT, HEX	M10x1.25	1	1	
13	A1260106	HOOK, PEDAL		1	1	
14	A1260093	STOPPER, CLUTCH PEDAL		1	1	
15	S103104043	BOLT, HEX	M10x1.25x40	1	1	



# TRANSMISSION CASE (280)

FIG.3-4



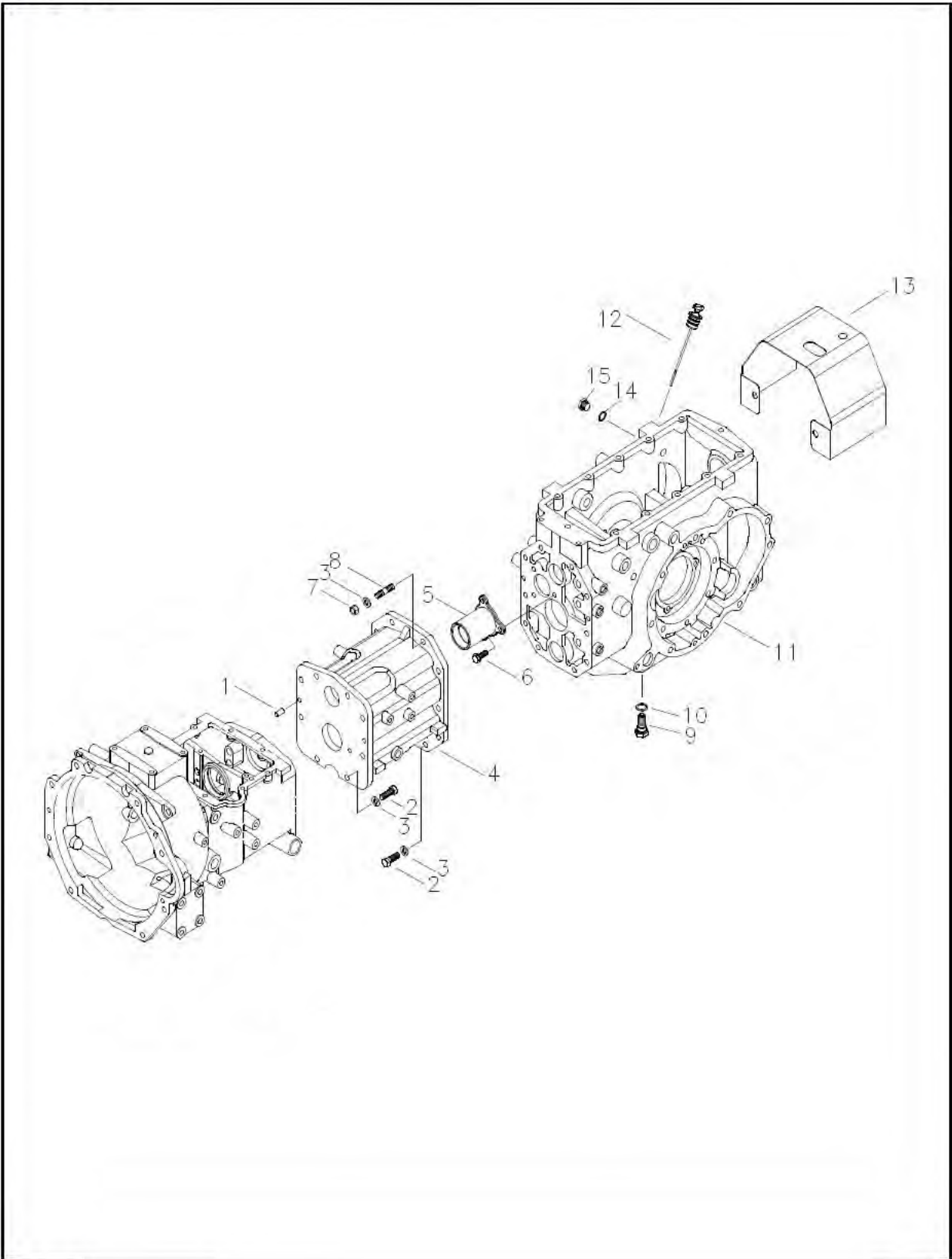
# TRANSMISSION CASE (280)

**FIG.3-4**

NO.	PART NO.	PART NAME & DESCRIPTION		QTY		REMARK
				S27	S32	
1	S423102010	PIN, PAR. A-TY. (h7)	Φ10x20L	4	4	
2	S105123543	BOLT, HEX. SMALL	M12x1.75x35	14	14	
3	S361120013	WASHER, SPR. 1-TY.	Φ21.5xΦ12.2x3t	18	18	
4	A1280176	CASE, CENTER		1	1	
5	A1280178	HOLDER, BEARING		1	1	
6	S154103033	BOLT, HEX. W/WASHER	M10x1.25x30	3	3	
7	S305120013	NUT, HEX. S. 1-TY.	M12x1.75	4	4	
8	S139123543	BOLT, STUD	M12x1.75x35	4	4	
9	3A1250013	PLUG, DRAIN		1	1	
10	A10263360	SEAL	Φ26xΦ20x1t	1	1	
11	A1280234	CASE, AXLE		1	1	MID PTO
	A1280237	CASE, AXLE (M/PTO)		1	1	
12	A1280161	GAUGE, OIL LEVEL		1	1	
13	A1280092	SHIELD, PTO		1	1	
14	A10263360	SEAL	Φ20xΦ26x1.0t	1	1	
15	A0610281	PLUG, DRAIN		1	1	

# TRANSMISSION CASE (280)

FIG.3-4A



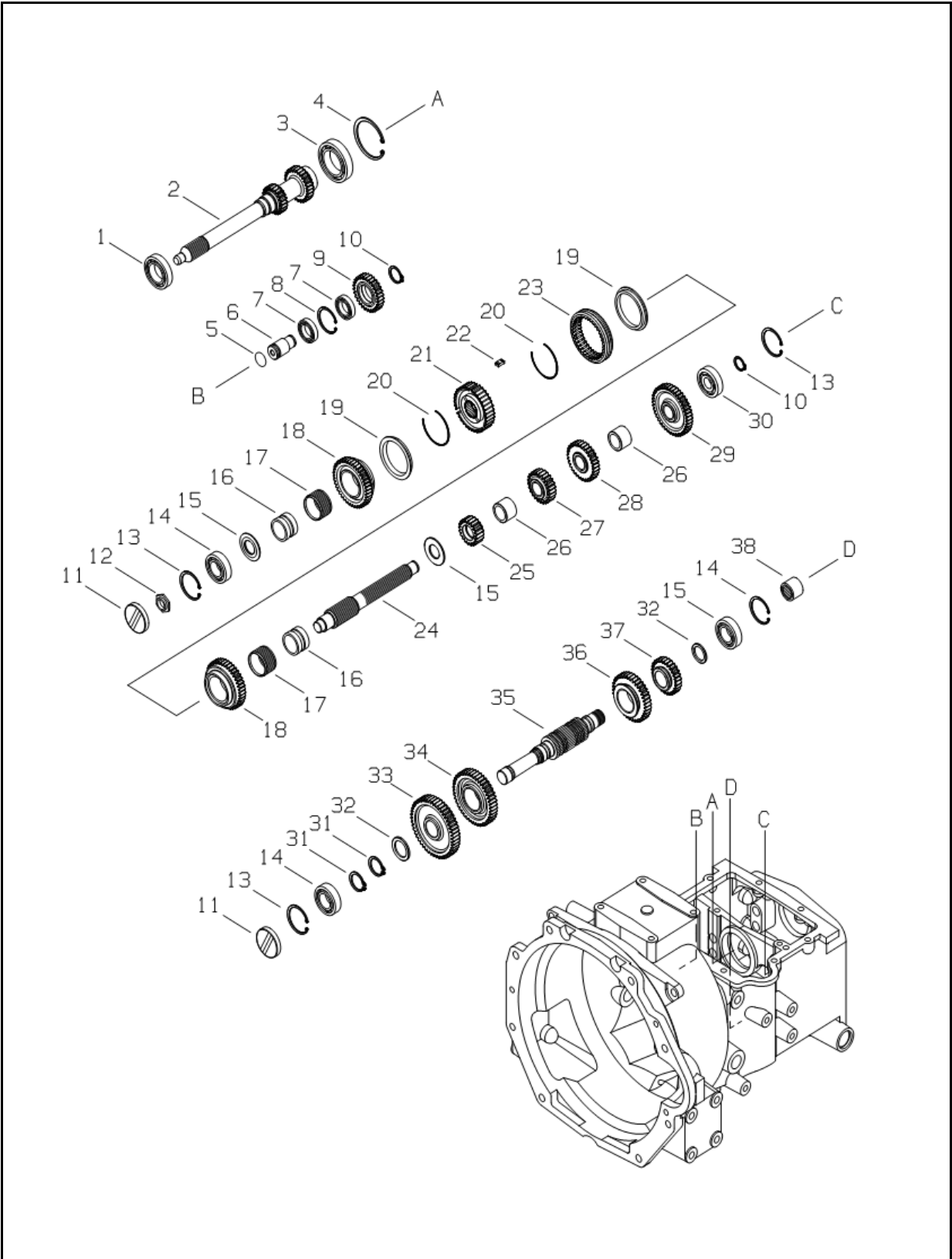
# TRANSMISSION CASE (280)

**FIG.3-4A**

NO.	PART NO.	PART NAME & DESCRIPTION		QTY		REMARK
				S27	S32	
1	S423102010	PIN, PAR. A-TY. (h7)	Φ10x20L	4	4	
2	S105123543	BOLT, HEX. SMALL	M12x1.75x35	14	14	
3	S361120013	WASHER, SPR. 1-TY.	Φ21.5xΦ12.2x3t	18	18	
4	A1280176	CASE, CENTER		1	1	
5	A1280178	HOLDER, BEARING		1	1	
6	S154103033	BOLT, HEX. W/WASHER	M10x1.25x30	3	3	
7	S311120013	NUT, HEX. S. 1-TY.	M12x1.75	4	4	
8	S139123543	BOLT, STUD	M12x1.75x35	4	4	
9	3A1250013	PLUG, DRAIN		1	1	
10	A10263360	SEAL	Φ26xΦ20x1t	1	1	
11	A1280234	CASE, AXLE		1	1	
12	A1280161	GAUGE, OIL LEVEL		1	1	
13	A1280092	SHIELD, PTO		1	1	
14	A10263360	SEAL	Φ20xΦ26x1.0t	1	1	
15	A0610281	PLUG, DRAIN		1	1	

# MAIN SHAFT (281)

FIG.3-5A



# MAIN SHAFT (281)

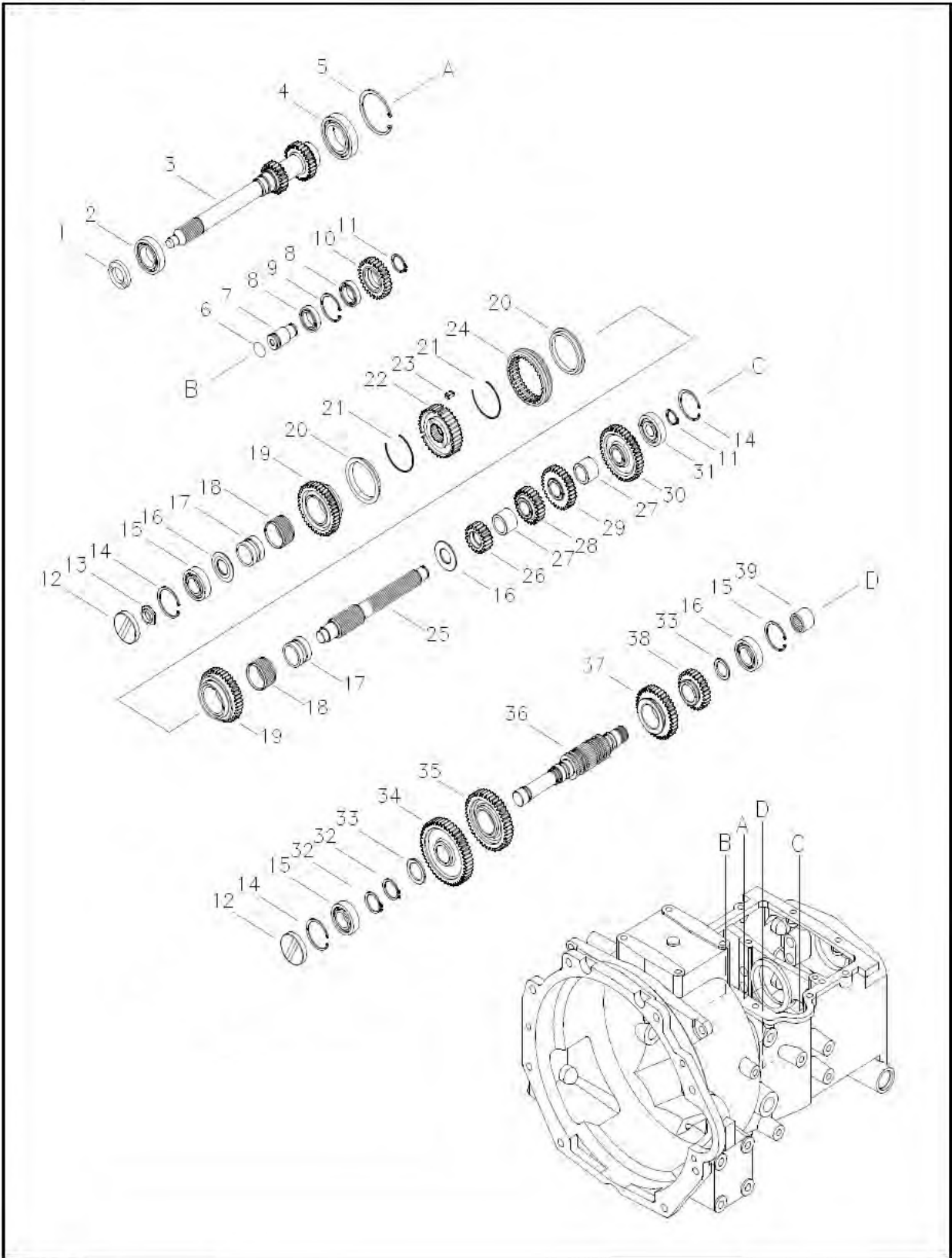
**FIG.3-5A**

**(SINGLE CLUTCH)**

NO.	PART NO.	PART NAME & DESCRIPTION		QTY		REMARK
				S27	S32	
1	A0860060	BEARING, BALL	#6006	1	1	
2	A1281580	SHAFT, F-R DRV. W/GEAR(22,27T)		1	1	
3	A0860080	BEARING, BALL	#6008	1	1	
4	S811068001	RING, SNAP (C) H.	Φ72.5	1	1	
5	S801021010	O-RING (P)	D20.8x2.4	1	1	
6	A1281591	SHAFT, R/IDLE		1	1	
7	A0868040	BEARING, BALL	#6804	2	2	
8	S811032001	RING, SNAP (C) H.	Φ34.4	1	1	
9	A1281592	GEAR, REVERSE IDLE(29T)		1	1	
10	S810020001	RING, SNAP	Φ18.5	2	2	
11	A1285170	CAP, RUBBER		2	2	
12	A1281602	NUT, LOCK		1	1	
13	S811052001	RING, SNAP (C) H.	Φ56.2	2	2	
14	A0862050	BEARING, BALL	#6205	3	3	
15	A1281597	SPACER		2	2	
16	A1281640	SLEEVE, BEARING		2	2	
17	3A1970157	BEARING, NDDELE		2	2	
18	A1281595	GEAR, FR DRIVEN(41T)		2	2	
19	A1281354	RING, SYNCHONIZER		2	2	
20	3A1281021	SPRING		2	2	
21	A1281384	HUB SHAFT (F-R)		1	1	
22	3A1281020	PIECE		3	3	
23	A1281361	SLEEVE		1	1	
24	A1281582	SHAFT, MAIN DRIVE		1	1	
25	A1281600	GEAR, MAIN 2ND. DRV.(20T)		1	1	
26	A1288065	SPACER		2	2	
27	A1281583	GEAR, MAIN 2ND. DRV.(25T)		1	1	
28	A1281584	GEAR, MAIN 3RD. DRV.(31T)		1	1	
29	A1281585	GEAR, MAIN 4TH. DRV.(42T)		1	1	
30	A0863040	BEARING, BALL	#6304	1	1	
31	S810025001	RING, SNAP	Φ23.2	2	2	
32	A1281598	SPACER		2	2	
33	A1281586	GEAR, MAIN 1ST DRVN(49T)		1	1	
34	A1281587	GEAR, MAIN 2ND DRVN(44T)		1	1	
35	A1281590	SHAFT, MAIN DRVN		1	1	
36	A1281588	GEAR, MAIN 3RD DRVN(38T)		1	1	
37	A1281589	GEAR, MAIN 4TH DRVN(28T)		1	1	
38	A1281593	JOINT		1	1	

# MAIN SHAFT (281)

FIG.3-5



# MAIN SHAFT (281)

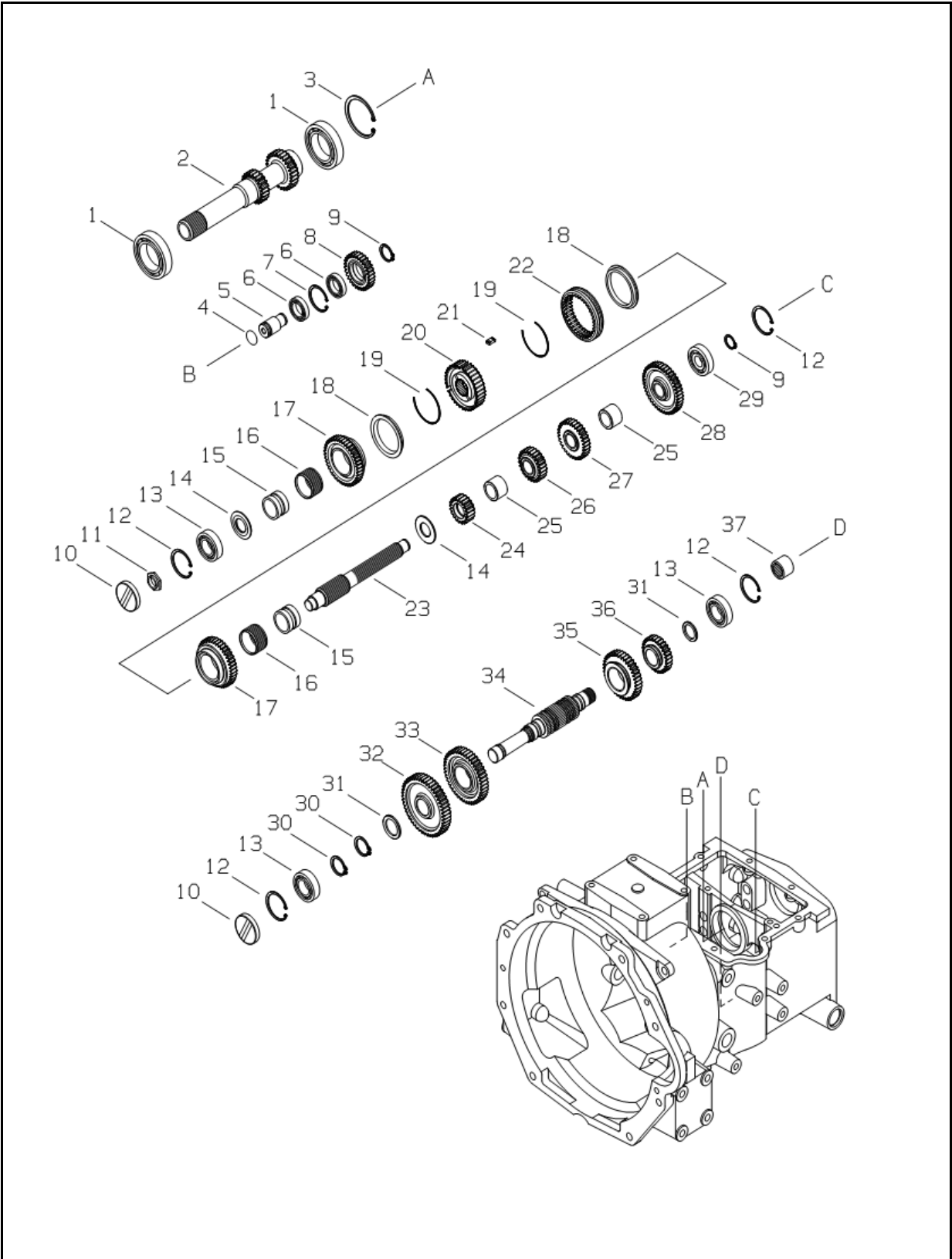
**FIG.3-5A**

NO.	PART NO.	PART NAME & DESCRIPTION		QTY		REMARK
				S27	S32	
1	A0653231	SEAL, OIL	TC28×47×7	1	1	
2	A0860060	BEARING, BALL	#6006	1	1	
3	A1281580	SHAFT, F-R DRV. W/GEAR(22,27T)		1	1	
4	A0860080	BEARING, BALL	#6008	1	1	
5	S811068001	RING, SNAP (C) H.	Φ72.5	1	1	
6	S801021010	O-RING (P)	D20.8x2.4	1	1	
7	A1281591	SHAFT, R/IDLE		1	1	
8	A0868040	BEARING, BALL	#6804	2	2	
9	S811032001	RING, SNAP (C) H.	Φ34.4	1	1	
10	A1281592	GEAR, REVERSE IDLE(29T)		1	1	
11	S810020001	RING, SNAP	Φ18.5	1	1	
12	A1285170	CAP, RUBBER		2	2	
13	A1281602	NUT, LOCK		1	1	
14	S811052001	RING, SNAP (C) H.	Φ56.2	2	2	
15	A0862050	BEARING, BALL	#6205	2	2	
16	A1281597	SPACER		2	2	
17	A1281640	SLEEVE, GEAR		2	2	
18	3A1970157	BEARING, NDDELE		2	2	
19	A1281595	GEAR, FR DRIVEN(41T)		2	2	
20	A1281354	RING, SYNCHONIZER		2	2	
21	3A1281021	SPRING		2	2	
22	A1281384	HUB SHAFT		1	1	
23	3A1281020	STRUT		3	3	
24	A1281361	SLEEVE		1	1	
25	A1281582	SHAFT, MAIN DRIVE		1	1	
26	A1281600	GEAR, MAIN 2ND. DRV.(20T)		1	1	
27	A1288065	SPACER		2	2	
28	A1281583	GEAR, MAIN 2ND. DRV.(25T)		1	1	
29	A1281584	GEAR, MAIN 2ND. DRV.(31T)		1	1	
30	A1281585	GEAR, MAIN 2ND. DRV.(42T)		1	1	
31	A0863040	BEARING, BALL	#6304	1	1	
32	S810025001	RING, SNAP	Φ23.2	2	2	
33	A1281598	SPACER		2	2	
34	A1281586	GEAR, MAIN 1ST DRVN(49T)		1	1	
35	A1281587	GEAR, MAIN 2ND DRVN(44T)		1	1	
36	A1251590	SHAFT, MAIN DRVN		1	1	
37	A1281588	GEAR, MAIN 3RD DRVN(38T)		1	1	
38	A1281589	GEAR, MAIN 4TH DRVN(28T)		1	1	
39	A1281593	JOINT		1	1	



# MAIN SHAFT (281)

FIG.3-5B



# MAIN SHAFT (281)

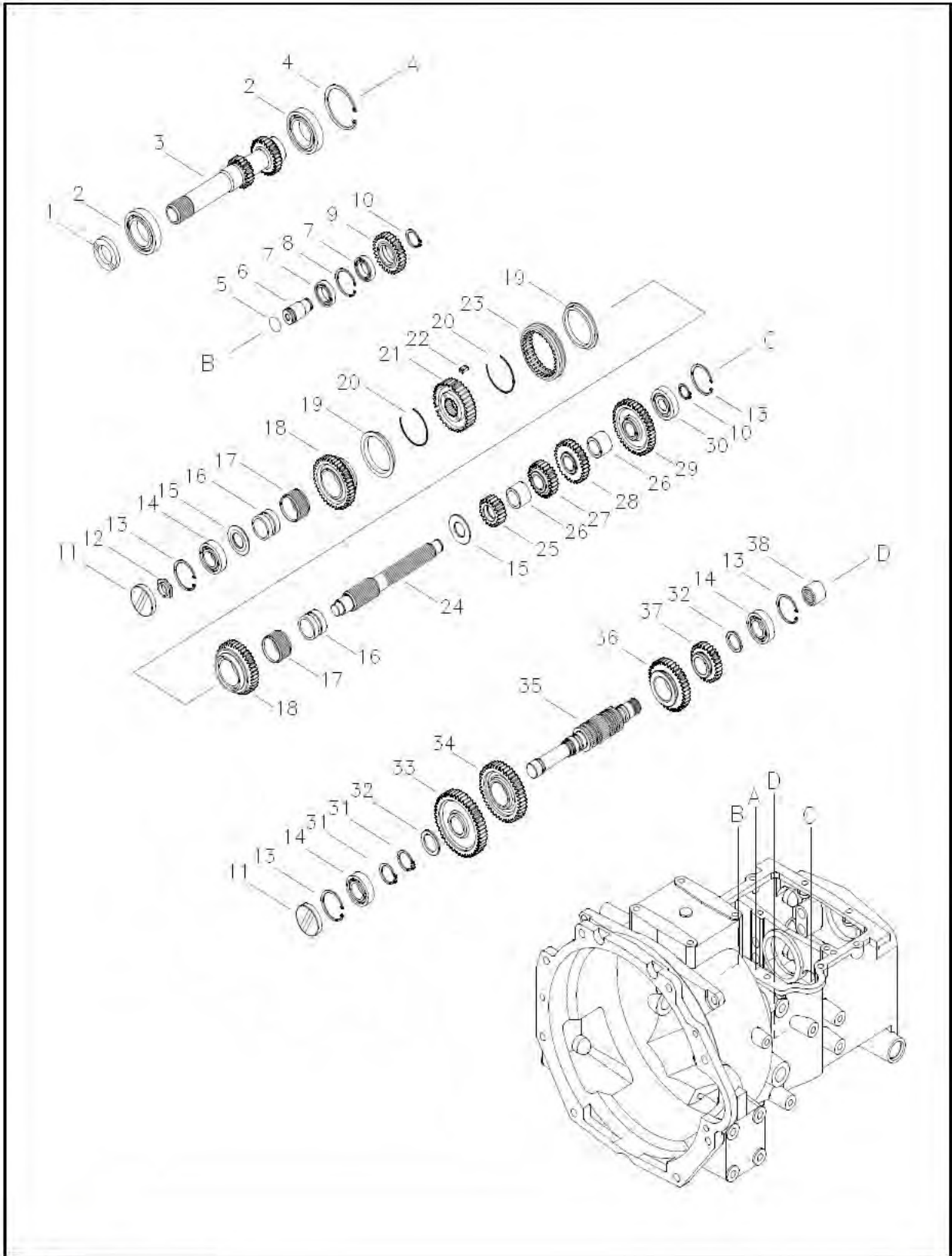
**FIG.3-5B**

**(DUAL CLUTCH)**

NO.	PART NO.	PART NAME & DESCRIPTION		QTY		REMARK
				S27	S32	
1	A0860080	BEARING, BALL	#6008	2	2	
2	A1281594	SHAFT, F-R DRV. W/GEAR (22,27T)		1	1	
3	S811068001	RING, SNAP (C) H.	Φ72.5	1	1	
4	S801021010	O-RING (P)	D20.8x2.4	1	1	
5	A1281591	SHAFT, R/IDLE		1	1	
6	A0868040	BEARING, BALL	#6804	2	2	
7	S811032001	RING, SNAP (C) H.	Φ34.4	1	1	
8	A1281592	GEAR, REVERSE IDLE(29T)		1	1	
9	S810020001	RING, SNAP	Φ18.5	2	2	
10	A1285170	CAP, RUBBER		2	2	
11	A1281602	NUT, LOCK		1	1	
12	S811052001	RING, SNAP (C) H.	Φ56.2	2	2	
13	A0862050	BEARING, BALL	#6205	3	3	
14	A1281597	SPACER		2	2	
15	A1281640	SLEEVE, BEARING		2	2	
16	3A1970157	BEARING, NDDELE		2	2	
17	A1281595	GEAR, FR DRIVEN(41T)		2	2	
18	A1281354	RING, SYNCHONIZER		2	2	
19	3A1281021	SPRING		2	2	
20	A1281384	HUB SHAFT		1	1	
21	3A1281020	PIECE		3	3	
22	A1281361	SLEEVE		1	1	
23	A1281582	SHAFT, MAIN DRIVE		1	1	
24	A1281600	GEAR, MAIN 2ND. DRV.(20T)		1	1	
25	A1288065	SPACER		2	2	
26	A1281583	GEAR, MAIN 2ND. DRV.(25T)		1	1	
27	A1281584	GEAR, MAIN 3RD. DRV.(31T)		1	1	
28	A1281585	GEAR, MAIN 4TH. DRV.(42T)		1	1	
29	A0863040	BEARING, BALL	#6304	1	1	
30	S810025001	RING, SNAP	Φ23.2	2	2	
31	A1281598	SPACER		2	2	
32	A1281586	GEAR, MAIN 1ST DRVN(49T)		1	1	
33	A1281587	GEAR, MAIN 2ND DRVN(44T)		1	1	
34	A1281590	SHAFT, MAIN DRVN		1	1	
35	A1281588	GEAR, MAIN 3RD DRVN(38T)		1	1	
36	A1281589	GEAR, MAIN 4TH DRVN(28T)		1	1	
37	A1281593	JOINT		1	1	

# MAIN SHAFT (281)

FIG.11-3



# MAIN SHAFT (281)

**FIG.3-5B**

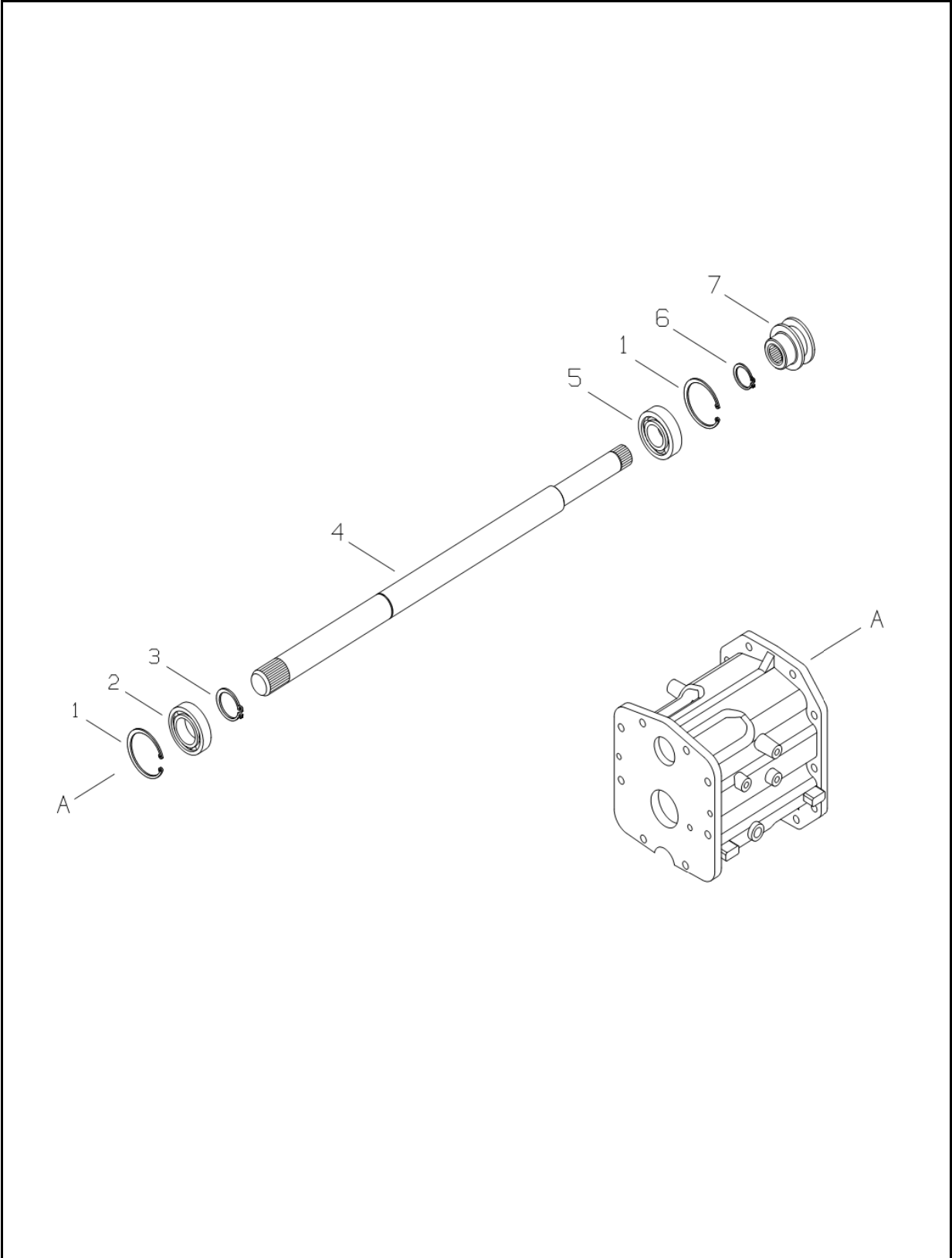
NO.	PART NO.	PART NAME & DESCRIPTION		QTY		REMARK
				S27	S32	
1	A0651402	SEAL, OIL		1	1	
2	A0860080	BEARING, BALL	#6008	2	2	
3	A1283225	SHAFT, PTO MAIN		1	1	
4	S811068001	RING, SNAP (C) H.	Φ72.5	1	1	
5	S801021010	O-RING (P)	D20.8x2.4	1	1	
6	A1281591	SHAFT, R/IDLE		1	1	
7	A0868040	BEARING, BALL	#6804	2	2	
8	S811032001	RING, SNAP (C) H.	Φ34.4	1	1	
9	A1281592	GEAR, REVERSE IDLE(29T)		1	1	
10	S810020001	RING, SNAP	Φ18.5	1	1	
11	A1285170	CAP, RUBBER		2	2	
12	A1281602	NUT, LOCK		1	1	
13	S811052001	RING, SNAP (C) H.	Φ56.2	2	2	
14	A0862050	BEARING, BALL	#6205	2	2	
15	A1281597	SPACER		2	2	
16	A1281640	SLEEVE, GEAR		2	2	
17	3A1970157	BEARING, NDDELE		2	2	
18	A1281595	GEAR, FR DRIVEN(41T)		2	2	
19	A1281354	RING, SYNCHONIZER		2	2	
20	3A1281021	SPRING		2	2	
21	A1281384	HUB SHAFT		1	1	
22	3A1281020	STRUT		3	3	
23	A1281361	SLEEVE		1	1	
24	A1281582	SHAFT, MAIN DRIVE		1	1	
25	A1281600	GEAR, MAIN 2ND. DRV.(20T)		1	1	
26	A1288065	SPACER		2	2	
27	A1281583	GEAR, MAIN 2ND. DRV.(25T)		1	1	
28	A1281584	GEAR, MAIN 2ND. DRV.(31T)		1	1	
29	A1281585	GEAR, MAIN 2ND. DRV.(42T)		1	1	
30	A0863040	BEARING, BALL	#6304	1	1	
31	S810025001	RING, SNAP	Φ23.2	2	2	
32	A1281598	SPACER		2	2	
33	A1281586	GEAR, MAIN 1ST DRVN(49T)		1	1	
34	A1281587	GEAR, MAIN 2ND DRVN(44T)		1	1	
35	A1251590	SHAFT, MAIN DRVN		1	1	
36	A1281588	GEAR, MAIN 3RD DRVN(38T)		1	1	
37	A1281589	GEAR, MAIN 4TH DRVN(28T)		1	1	
38	A1281593	JOINT		1	1	





# PTO SHAFT (283)

FIG.3-6A



# PTO SHAFT (283)

**FIG.3-6A**

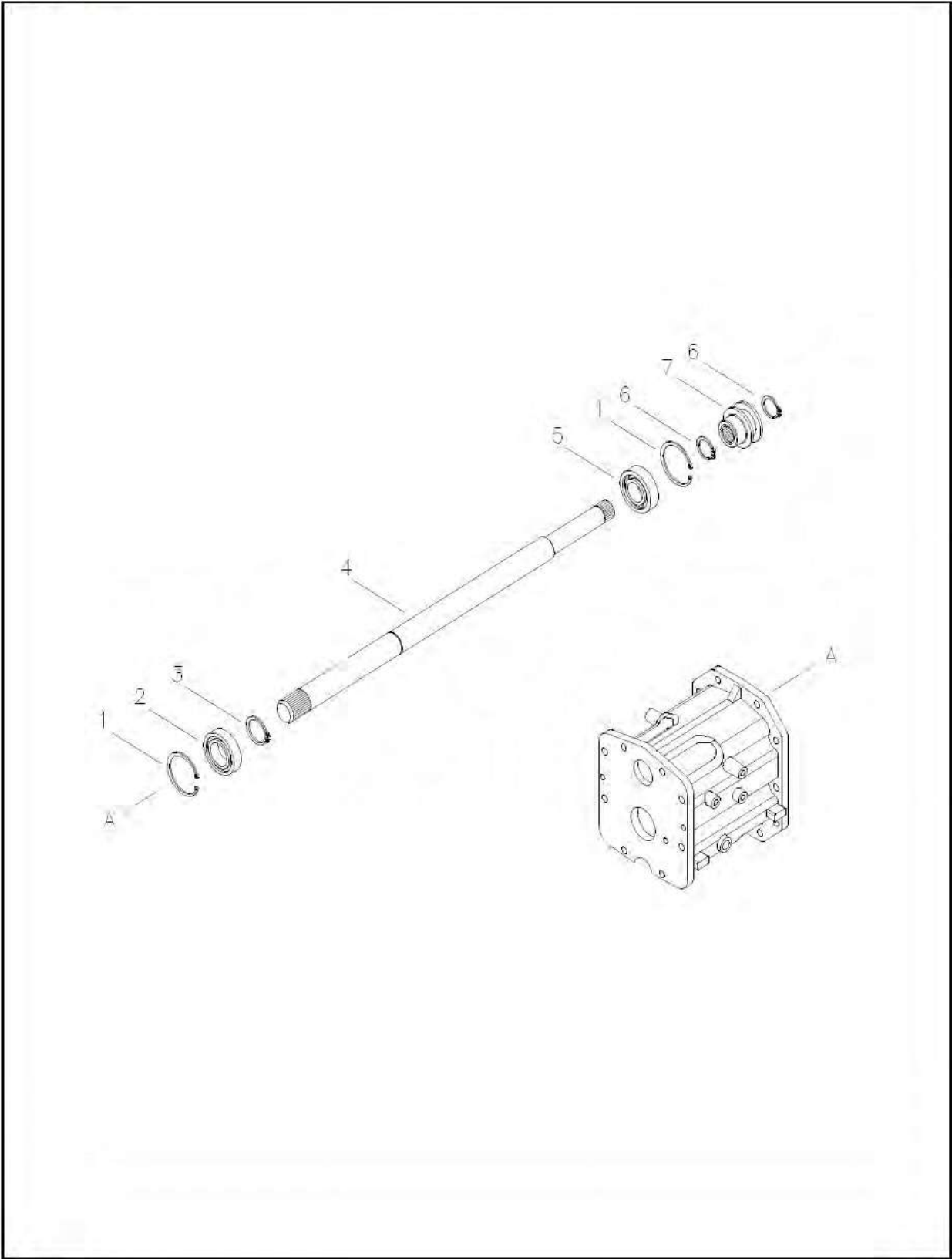
**(SINGLE CLUTCH)**

NO.	PART NO.	PART NAME & DESCRIPTION		QTY		REMARK
				S27	S32	
1	S811047001	RING, SNAP (C) H.	Φ50.5	2	2	
2	A0860050	BEARING, BALL	#6005	1	1	
3	S810025001	RING, SNAP	Φ23.2	1	1	
4	A1283222	SHAFT, PTO CONNECT		1	1	
5	A0862040	BEARING, BALL	#6204	1	1	
6	S810020001	RING, SNAP	Φ18.5	1	1	
7	A1283226	SELECTOR, PTO		1	1	



# PTO SHAFT (283)

FIG.3-6



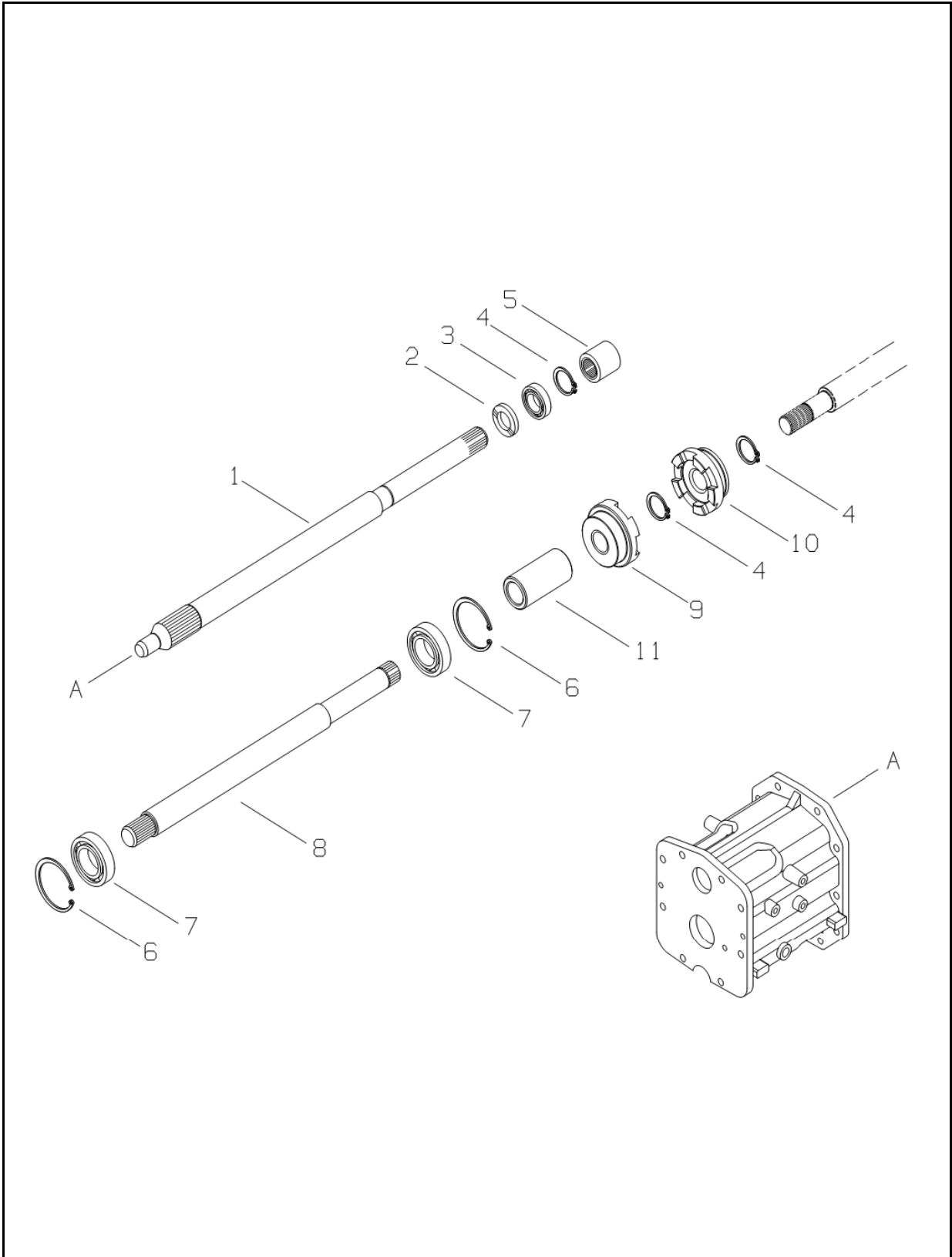
# PTO SHAFT (283)

**FIG.3-6A**

NO.	PART NO.	PART NAME & DESCRIPTION		QTY		REMARK
				S27	S32	
1	S811047001	RING, SNAP (C) H.	Φ50.5	2	2	
2	A0860050	BEARING, BALL	#6005	1	1	
3	S810025001	RING, SNAP	Φ23.2	1	1	
4	A1283222	SHAFT, PTO CONNECT		1	1	
5	A0862040	BEARING, BALL	#6204	1	1	
6	S810020001	RING, SNAP	Φ18.5	2	2	
7	A1283226	SELECTOR, PTO		1	1	

# PTO SHAFT (283)

FIG.3-6B



# PTO SHAFT (283)

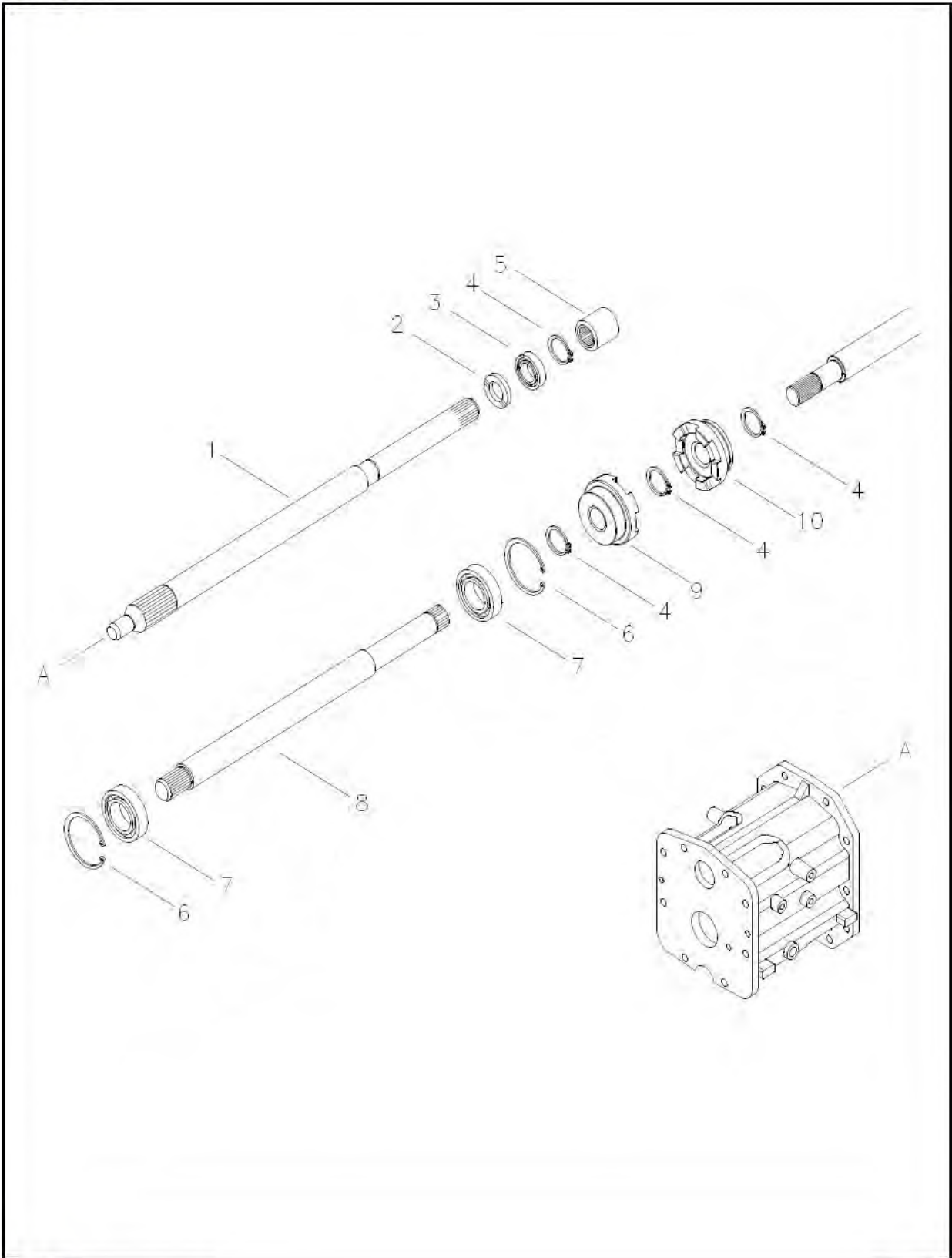
**FIG.3-6B**

**(DUAL CLUTCH)**

NO.	PART NO.	PART NAME & DESCRIPTION	QTY		REMARK
			S27	S32	
1	A1283225	SHAFT, PTO MAIN	1	1	
2	A0651201	SEAL, OIL	1	1	
3	A0868040	BEARING, BALL	1	1	
4	S810020001	RING, SNAP C-TYPE	3	3	
5	A1283228	JOINT	1	1	
6	S811047001	RING, SNAP C-TYPE	2	2	
7	A0862040	BEARING, BALL	2	2	
8	A1283227	SHAFT, PTO CONNECT	1	1	
9	A1283236	COUPING, PTO	1	1	
10	A1283237	SLEEVE, PTO	1	1	
11	A1283238	SPACER			D30Xd20

# PTO SHAFT (283)

FIG.11-4



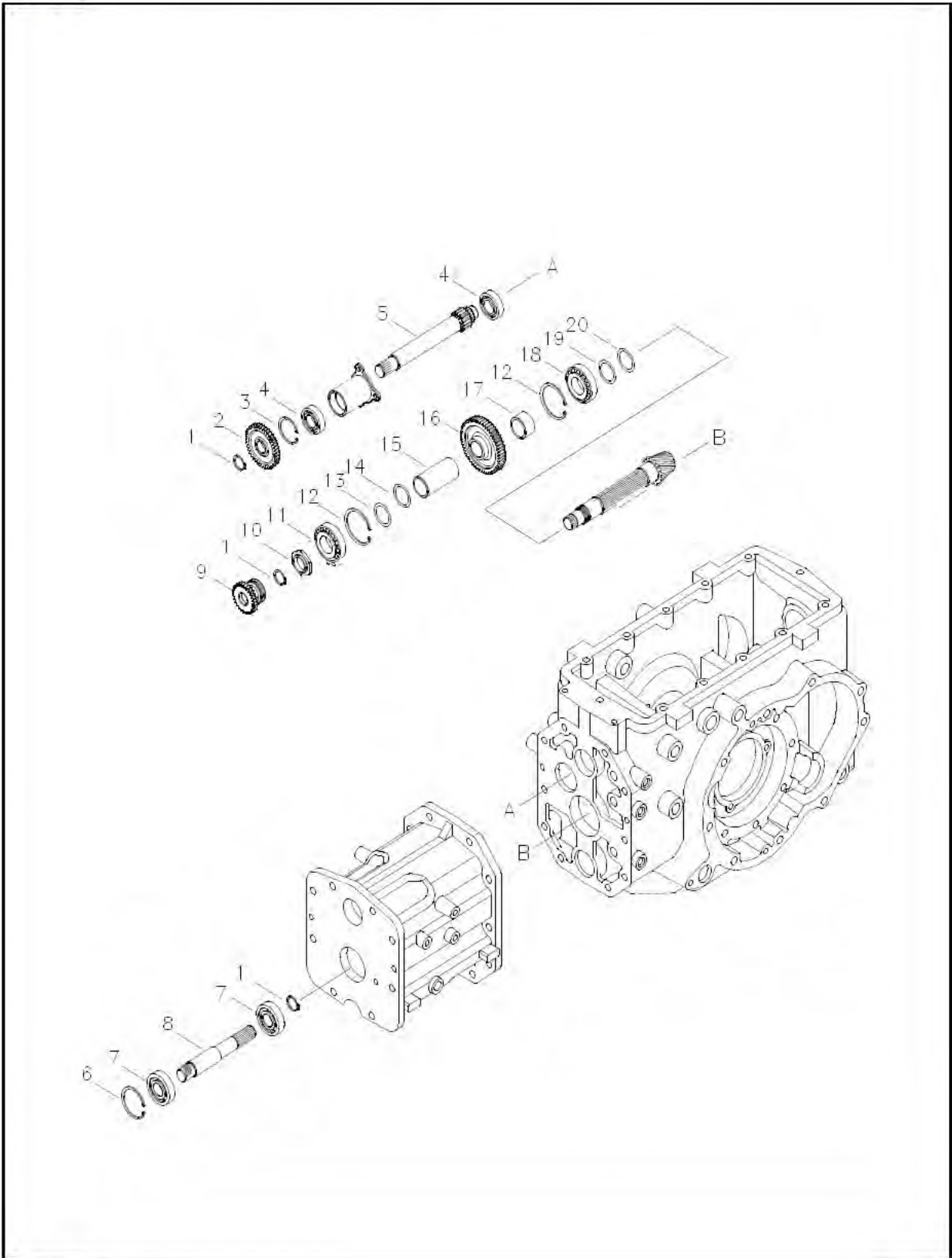
# PTO SHAFT (283)

**FIG.3-6B**

NO.	PART NO.	PART NAME & DESCRIPTION	QTY		REMARK
			S27	S32	
1	A1283225	SHAFT, PTO MAIN	1	1	
2	A0651201	SEAL, OIL	1	1	
3	A0868040	BEARING, BALL	1	1	
4	S810020001	RING, SNAP C-TYPE	4	4	
5	A1283228	JOINT	1	1	
6	S811047001	RING, SNAP C-TYPE	2	2	
7	A0862040	BEARING, BALL	2	2	
8	A1283227	SHAFT, PTO CONNECT	1	1	
9	A1283236	COUPING, PTO	1	1	
10	A1283237	SLEEVE, PTO	1	1	

# RANGE GEAR SHAFT (285)

FIG.3-7



# RANGE GEAR SHAFT (285)

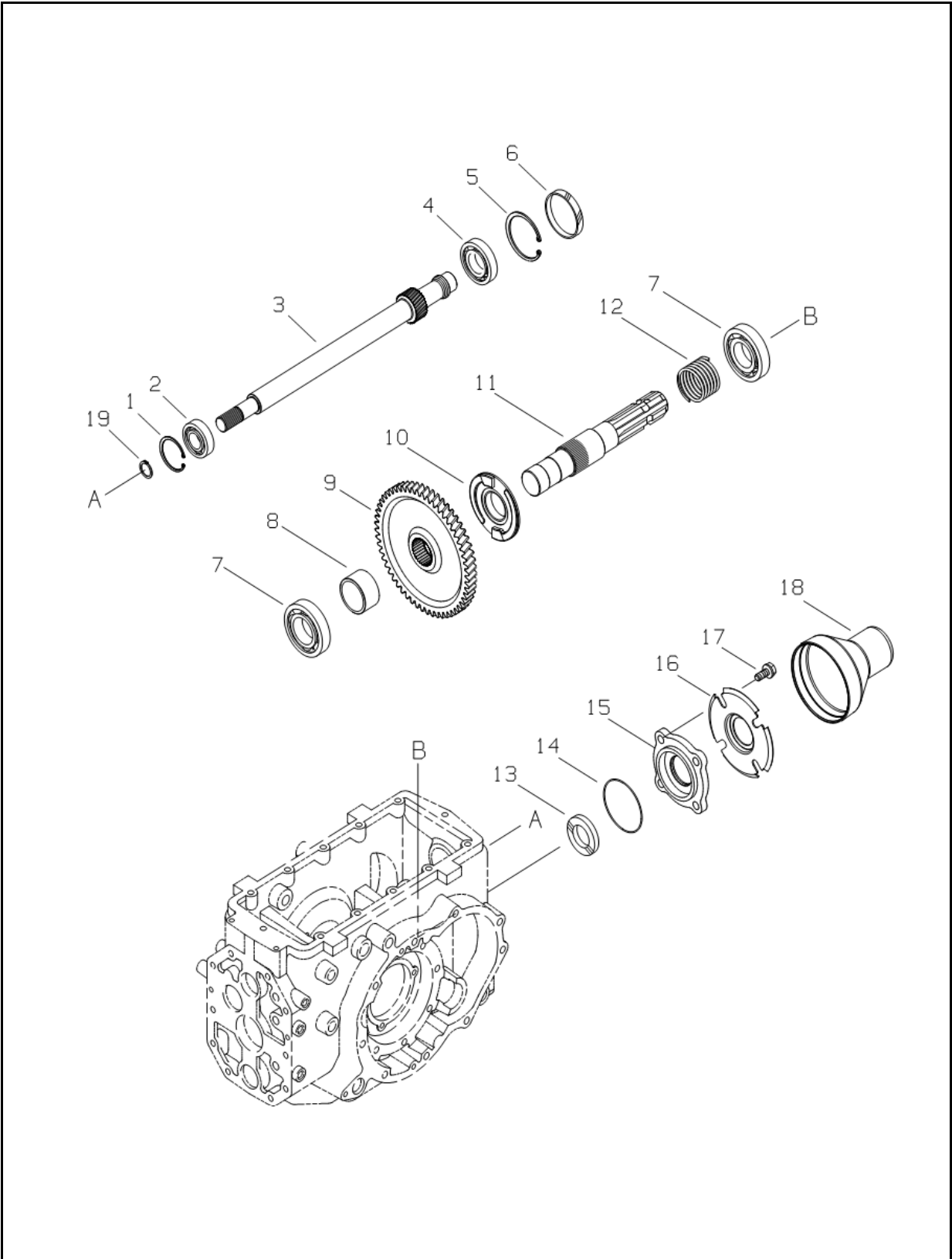
**FIG.3-7**

NO.	PART NO.	PART NAME & DESCRIPTION		QTY		REMARK
				S27	S32	
1	S810025001	RING, SNAP	Φ23.2	3	3	
2	A1285238	GEAR, RANGE DRVN(41T)		1	1	
3	S811052001	RING, SNAP (C) H.	Φ56.2	1	1	
4	A0862050	BEARING, BALL	#6205	2	2	
5	A1285239	SHAFT, RANGE DRV. W/GEAR(17T)		1	1	
6	S811062001	RING, SNAP (C) H.	Φ66.2	1	1	
7	A0863050	BEARING, BALL	#6305	2	2	
8	A1285236	SHAFT, RANGE DRV.		1	1	
9	A1285237	GEAR, RANGE DRV(28T)		1	1	
10	A1287179	NUT, LOCK		1	1	
11	A26800340	BEARING, TAPER ROLLER	#30306C	1	1	
12	S811072001	RING, SNAP (C) H.	Φ76.5	2	2	
13	A0870431	LINER		AR	AR	
14	A0870432	LINER		AR	AR	
15	A1287215	SPACER		1	1	
16	A1285240	GEAR, RANGE DRVN(53T)		1	1	
17	A1285196	SPACER		1	1	
18	A1326067	BEARING, TAPER ROLLER	#30207J	1	1	
19	A0870451	LINER		AR	AR	
20	A0870452	LINER		AR	AR	



# PTO DRIVE SHAFT (287)

FIG.3-8A



# PTO DRIVE SHAFT (287)

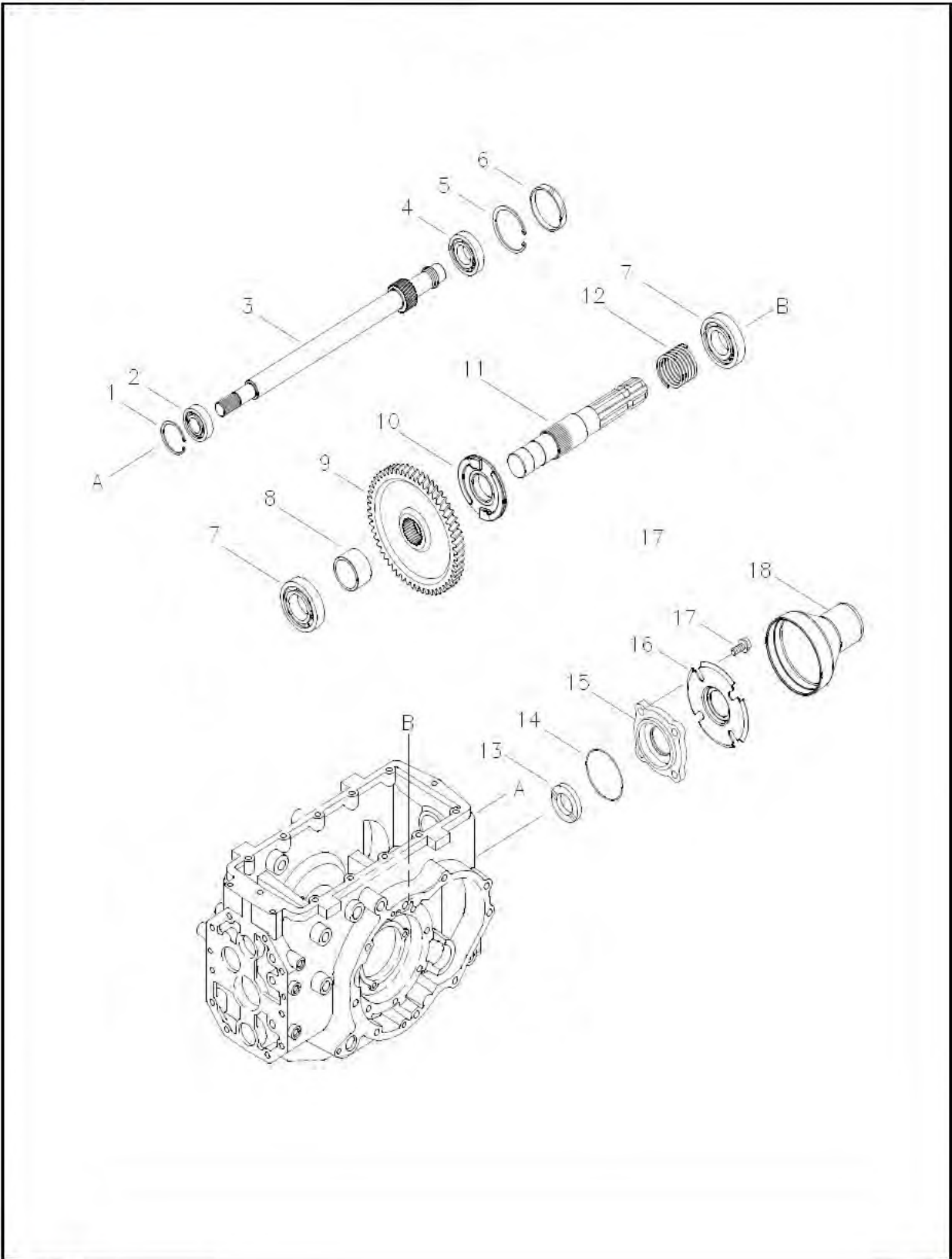
**FIG.3-8A**

**(SINGLE CLUTCH)**

NO.	PART NO.	PART NAME & DESCRIPTION		QTY		REMARK
				S27	S32	
1	S811047001	RING, SNAP	Φ50.5	1	1	
2	A0862040	BEARING, BALL	#6204	1	1	
3	A1287302	SHAFT, PTO DRV. W/GEAR(17T,R)		1	1	
4	A0863050H1	BEARING, BALL	#6305HL	1	1	
5	S811062001	RING, SNAP (C) H.	Φ66.2	1	1	
6	A1283016	CAP, DRVN SHAFT		1	1	
7	A0862070	BEARING, BALL	#6207	2	2	
8	A1287316	SPACER		1	1	
9	A1287315	GEAR, PTO DRVN(79T,L)		1	1	
10	A1287317	CAM, ORC		1	1	
11	A1287314	SHAFT, PTO		1	1	
12	A1287318	SPRING		1	1	
13	A0651353	SEAL, OIL	TC35x52x9	1	1	
14	S804070010	O-RING	D69.5x2.0	1	1	
15	A1280179	COVER, PTO SHAFT		1	1	
16	A1280184	GUIDE, PTO COVER.		1	1	
17	S154102533	BOLT, HEX. W/WASHER	M10x1.25x25	4	4	
18	A05171520	COVER, SAFETY		1	1	
19	S810020001	RING, SNAP		1	1	

# PTO DRIVE SHAFT (287)

FIG.3-8A



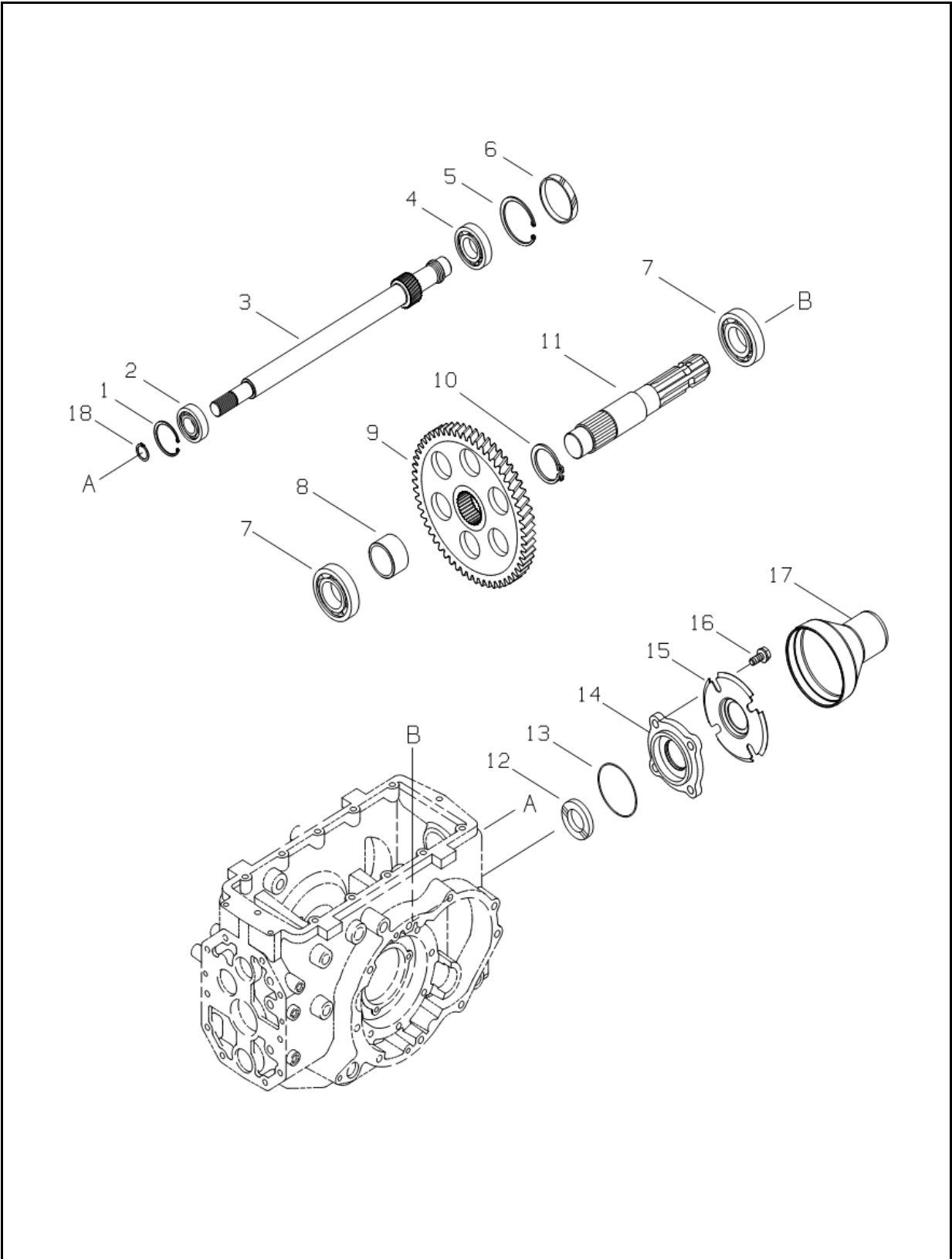
# PTO DRIVE SHAFT (287)

**FIG.3-8A**

NO.	PART NO.	PART NAME & DESCRIPTION		QTY		REMARK
				S27	S32	
1	S811047001	RING, SNAP	Φ50.5	1	1	
2	A0862040	BEARING, BALL	#6204	1	1	
3	A1287302	SHAFT, PTO DRV. W/GEAR(17T,R)		1	1	
4	A0863050H1	BEARING, BALL	#6305HL	1	1	
5	S811062001	RING, SNAP (C) H.	Φ66.2	1	1	
6	A1283016	CAP, DRVN SHAFT		1	1	
7	A0862070	BEARING, BALL	#6207	2	2	
8	A1287316	SPACER		1	1	
9	A1287315	GEAR, PTO DRVN(79T,L)		1	1	
10	A1287317	CAM, ORC		1	1	
11	A1287314	SHAFT, PTO		1	1	
12	A1287318	SPRING		1	1	
13	A0651353	SEAL, OIL	TC35x52x9	1	1	
14	S804070010	O-RING	D69.5x2.0	1	1	
15	A1280179	COVER, PTO SHAFT		1	1	
16	A1280154	GUIDE		1	1	
17	S154102533	BOLT, HEX. W/WASHER	M10x1.25x25	4	4	
18	A05171520	COVER, SAFETY		1	1	

# PTO DRIVE SHAFT (287)

FIG.3-8B



# PTO DRIVE SHAFT (287)

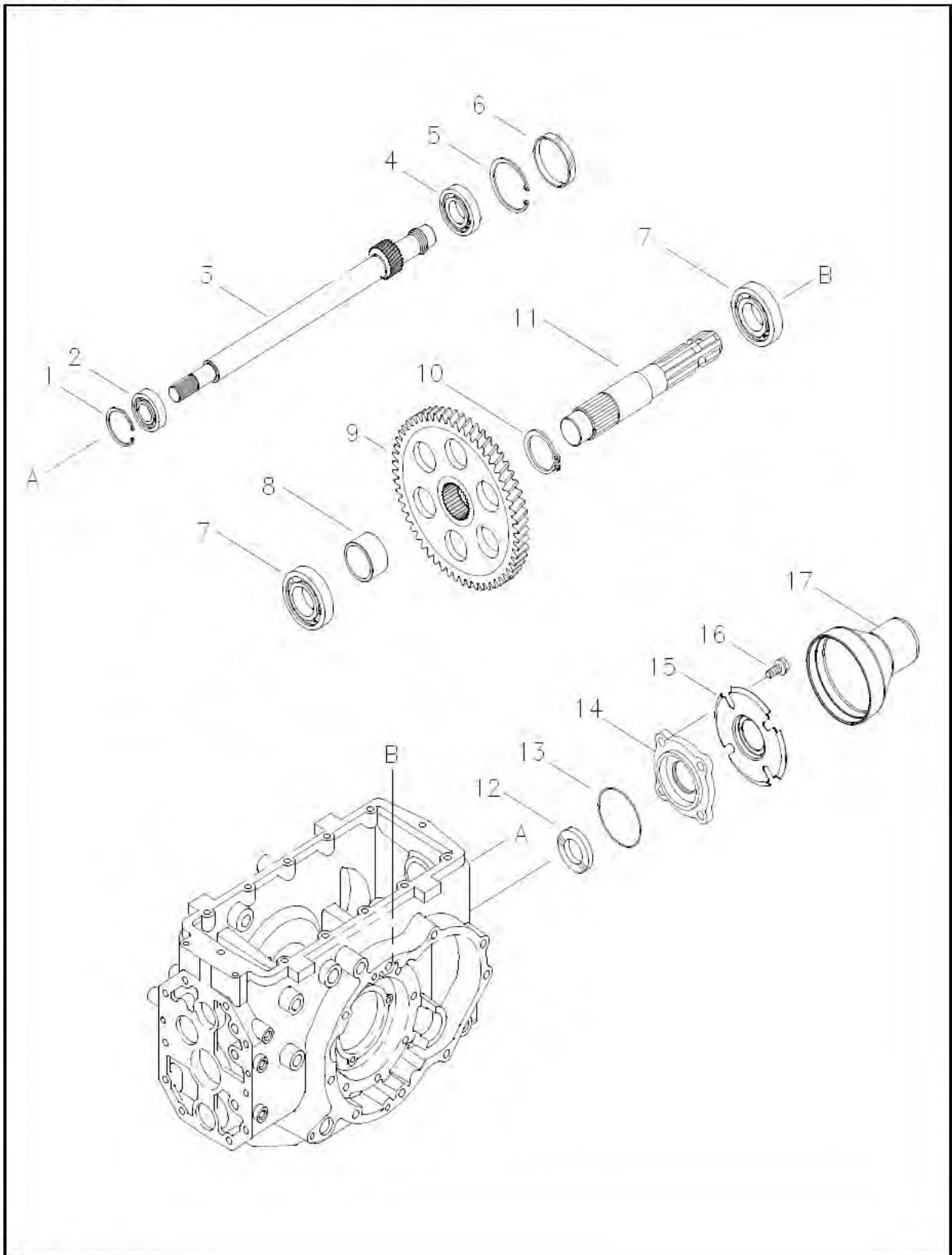
**FIG.3-8B**

**(DUAL CLUTCH)**

NO.	PART NO.	PART NAME & DESCRIPTION		QTY		REMARK
				S27	S32	
1	S811047001	RING, SNAP	Φ50.5	1	1	
2	A0862040	BEARING, BALL	#6204	1	1	
3	A1287302	SHAFT, PTO DRV. W/GEAR(17T,R)		1	1	
4	A0863050H1	BEARING, BALL	#6305HL	1	1	
5	S811062001	RING, SNAP (C) H.	Φ66.2	1	1	
6	A1283016	CAP, DRVN SHAFT		1	1	
7	A0862070	BEARING, BALL	#6207	2	2	
8	A1287310	SPACER		1	1	
9	A1287304	GEAR, PTO DRVN(79T,L)		1	1	
10	S810040001	RING, SNAP		1	1	
11	A1287303	SHAFT, PTO		1	1	
12	A0651353	SEAL, OIL	TC35x52x9	1	1	
13	S804070010	O-RING	D69.5x2.0	1	1	
14	A1280179	COVER, PTO SHAFT		1	1	
15	A1280184	GUIDE		1	1	
16	S154102533	BOLT, HEX. W/WASHER	M10x1.25x25	4	4	
17	A05171520	COVER, SAFETY		1	1	
18	S810020001	RING, SNAP		1	1	

# PTO DRIVE SHAFT (287)

FIG.11-5



# PTO DRIVE SHAFT (287)

**FIG.3-8B**

NO.	PART NO.	PART NAME & DESCRIPTION		QTY		REMARK
				S27	S32	
1	S811047001	RING, SNAP	Φ50.5	1	1	
2	A0862040	BEARING, BALL	#6204	1	1	
3	A1287302	SHAFT, PTO DRV. W/GEAR(17T,R)		1	1	
4	A0863050H1	BEARING, BALL	#6305HL	1	1	
5	S811062001	RING, SNAP (C) H.	Φ66.2	1	1	
6	A1283016	CAP, DRVN SHAFT		1	1	
7	A0862070	BEARING, BALL	#6207	2	2	
8	A1287310	SPACER		1	1	
9	A1287304	GEAR, PTO DRVN(79T,L)		1	1	
10	S810040001	RING, SNAP		1	1	
11	A1287303	SHAFT, PTO		1	1	
12	A0651353	SEAL, OIL	TC35x52x9	1	1	
13	S804070010	O-RING	D69.5x2.0	1	1	
14	A1280179	COVER, PTO SHAFT		1	1	
15	A1280154	GUIDE		1	1	
16	S154102533	BOLT, HEX. W/WASHER	M10x1.25x25	4	4	
17	A05171520	COVER, SAFETY		1	1	

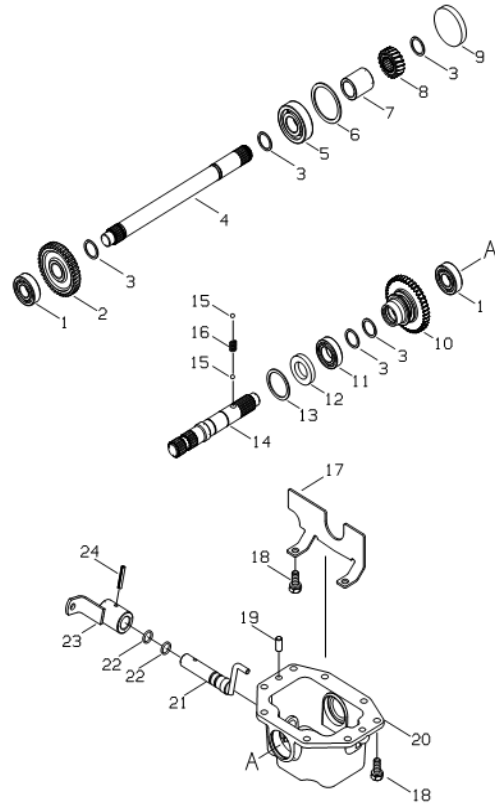


# PTO DRIVE SHAFT (287)

FIG.3-8C

주변속 레버

FIG.3-11 MAIN CHANGE LEVER(293)



# PTO DRIVE SHAFT (287)

**FIG.3-8C**

**(MID PTO)**

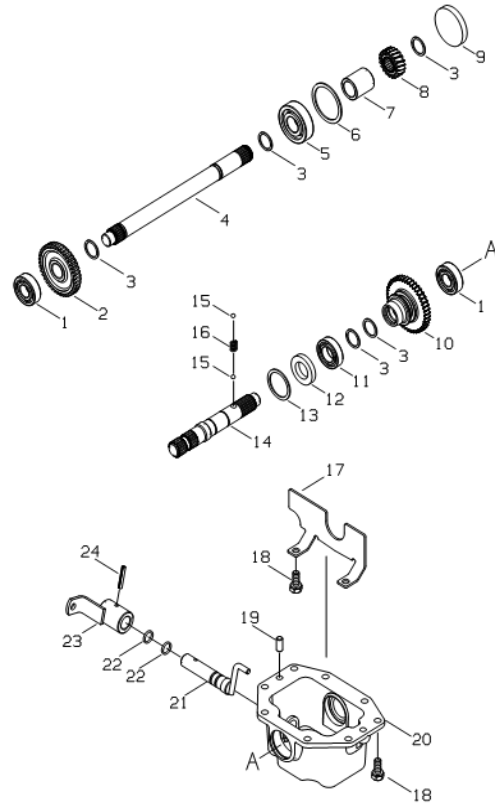
NO.	PART NO.	PART NAME & DESCRIPTION	QTY		REMARK
			S27	S32	
1	A0862040	BEARING, BALL	2	2	
2	A1287306	GEAR, M/PTO DRV.(40T)	1	1	
3	S810025001	RING, SNAP	5	5	
4	A1287308	SHAFT, M/PTO DRV.	1	1	
5	A0863050H1	BEARING, BALL	1	1	
6	S811062001	RING, SNAP	2	2	
7	A1287311	SPACER	1	1	
8	A1287305	GEAR, M/PTO COUNTER(20T,R)	1	1	
9	A1283016	CAP, DRVN SHAFT	1	1	
10	A1287307	GEAR, M/PTO DRVN(43T)	1	1	
11	A0860050	BEARING, BALL	1	1	
12	A0653231	SEAL, OIL	1	1	
13	S811047001	RING, SNAP	1	1	
14	A1287309	SHAFT, M/PTO	1	1	
15	A20063390	BALL, SHIFTER FORK	2	2	
16	A1287356	SPRING	1	1	
17	A1287375	FENCE, MID PTO	1	1	
18	S154102533	BOLT, HEX.	10	10	
19	S423102013	PIN, PAR. A-TY.(h7)	2	2	
20	A1287312	CASE, M/PTO	1	1	
21	A1291269	LEVER, MID-PTO	1	1	
22	S801016010	O-RING(P)	2	2	
23	A1291292	ARM, MID-PTO	1	1	
24	S446063512	PIN, SPR. W-TY	1	1	

# PTO DRIVE SHAFT (287)

FIG.3-8B

주변속 레버

FIG.3-11 MAIN CHANGE LEVER(293)



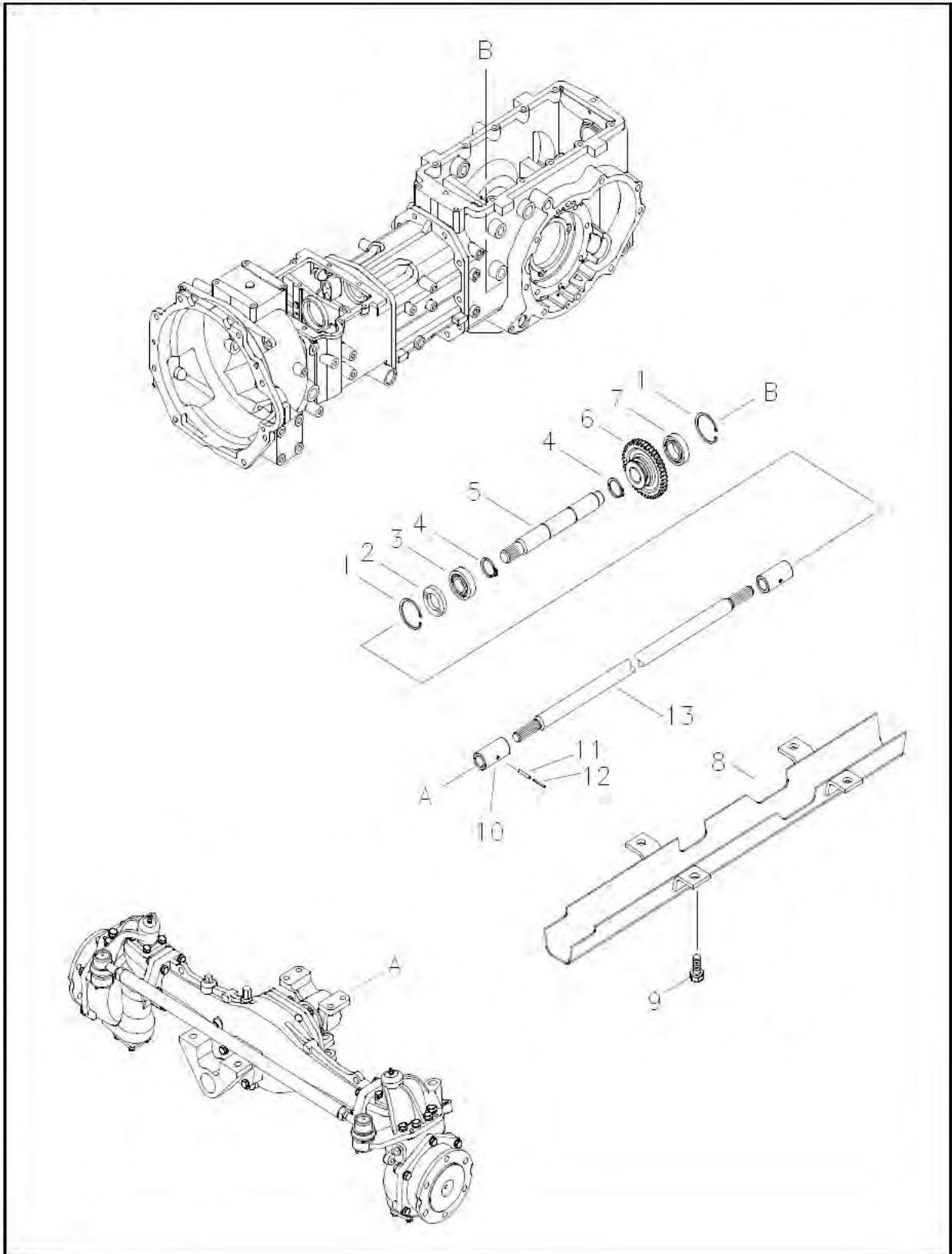
# PTO DRIVE SHAFT (287)

**FIG.3-8C**

NO.	PART NO.	PART NAME & DESCRIPTION	QTY		REMARK
			S27	S32	
1	A0862040	BEARING, BALL	2	2	
2	A1287306	GEAR, M/PTO DRV.(40T)	1	1	
3	S810025001	RING, SNAP	5	5	
4	A1287308	SHAFT, M/PTO DRV.	1	1	
5	A0863050H1	BEARING, BALL	1	1	
6	S811062001	RING, SNAP	2	2	
7	A1287311	SPACER	1	1	
8	A1287305	GEAR, M/PTO COUNTER(20T,R)	1	1	
9	A1283016	CAP, DRVN SHAFT	1	1	
10	A1287307	GEAR, M/PTO DRVN(43T)	1	1	
11	A0860050	BEARING, BALL	1	1	
12	A0653231	SEAL, OIL	1	1	
13	S811047001	RING, SNAP	1	1	
14	A1287309	SHAFT, M/PTO	1	1	
15	A20063390	BALL, SHIFTER FORK	2	2	
16	A1287356	SPRING	1	1	
17	A1287375	FENCE, MID PTO	1	1	
18	S154102533	BOLT, HEX.	10	10	
19	S423102013	PIN, PAR. A-TY.(h7)	2	2	
20	A1287312	CASE, M/PTO	1	1	
21	A1291269	LEVER, MID-PTO	1	1	
22	S801016010	O-RING(P)	2	2	
23	A1291292	ARM, MID-PTO	1	1	
24	S446063512	PIN, SPR. W-TY	1	1	

# 4WD (288,380)

FIG.3-9



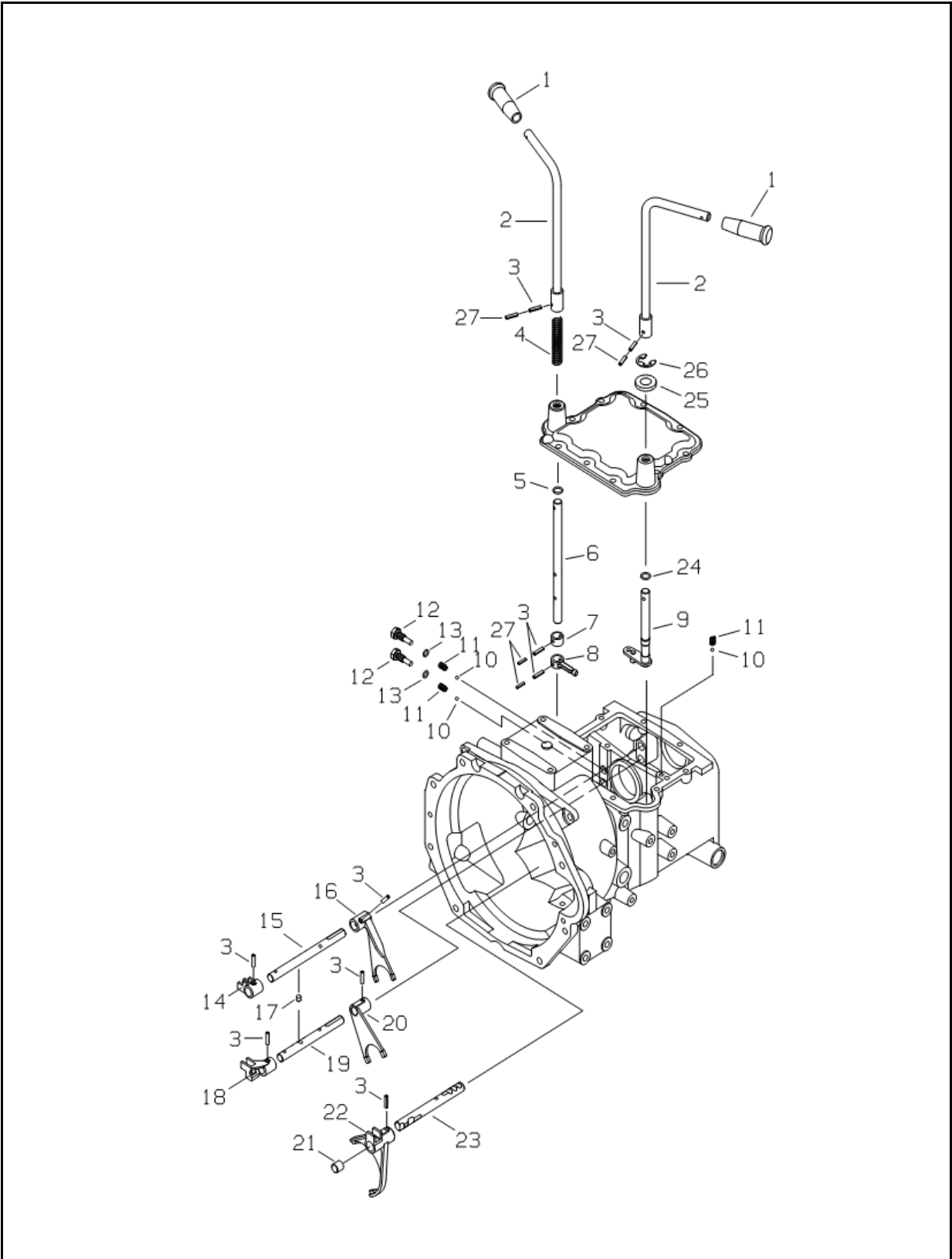
# 4WD (288,380)

**FIG.3-9**

NO.	PART NO.	PART NAME & DESCRIPTION		QTY		REMARK
				S27	S32	
1	S811047001	RING, SNAP (C) H.	Φ50.5	2	2	
2	A0651256	SEAL, OIL		1	1	
3	A0860050	BEARING, BALL	#6005	1	1	
4	S810025001	RING, SNAP	Φ23.2	2	2	
5	A1288125	SHAFT, 4WD DRV.		1	1	
6	A1288124	GEAR, 4WD DRVN.(41T)		1	1	
7	A0862040	BEARING, BALL	#6204	1	1	
8	A1380031	COVER, 4WD		1	1	
9	S153123033	BOLT, HEX. W/WASHER	M12×1.75×30	4	4	
10~12	A1380021	4WD JOINT ASSY		2	2	
10	A1380022	JOINT, 4WD		1	1	
11	S446052810	PIN, SPRING	Φ5.4x28	1	1	
12	S446032810	PIN, SPRING	Φ3.3x28	1	1	
13	A1380030	SHAFT, 4WD FRONT		1	1	

# SHIFT LEVER & FORK (290,292)

FIG.3-10



# SHIFT LEVER & FORK (290,292)

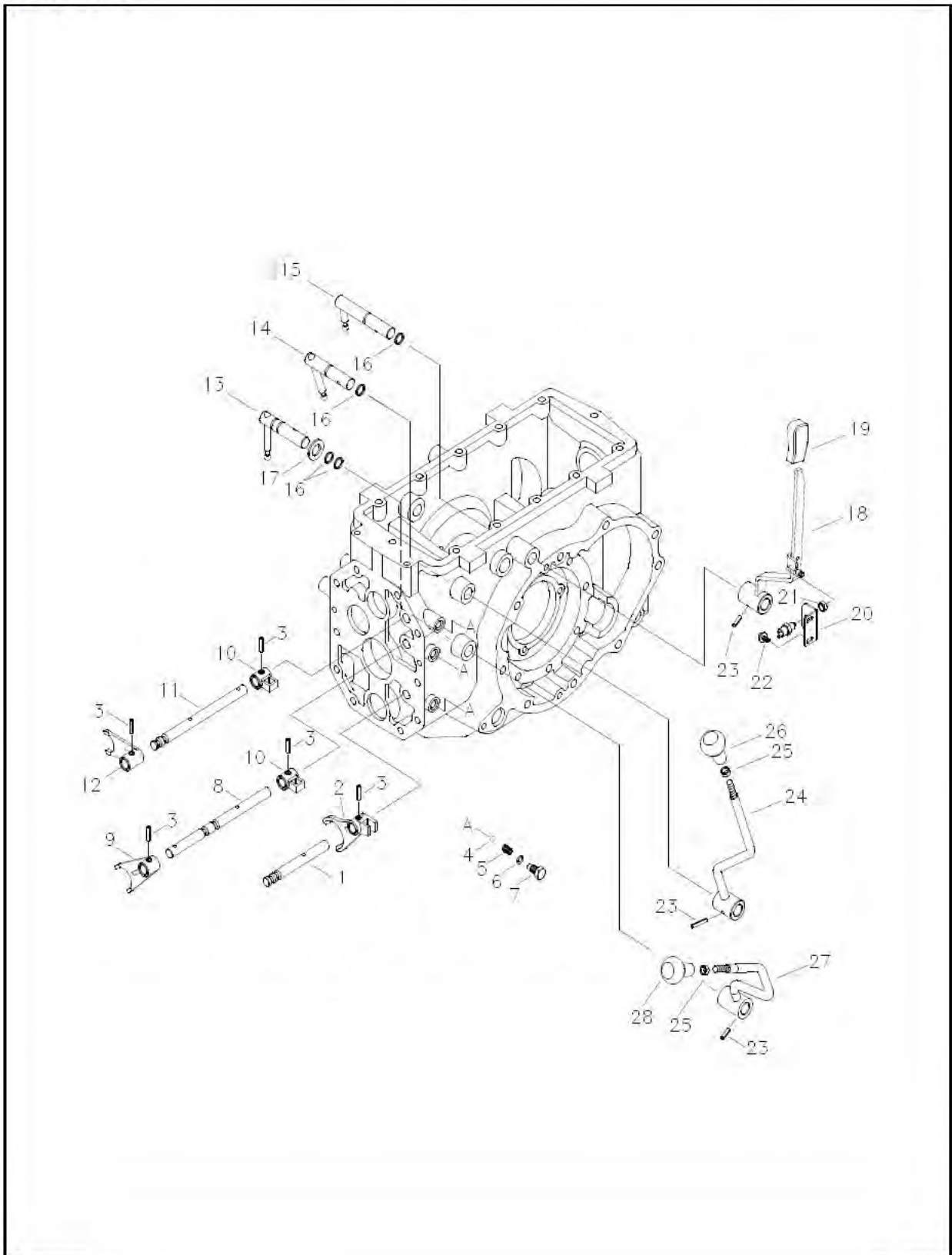
**FIG.3-10**

NO.	PART NO.	PART NAME & DESCRIPTION		QTY		REMARK
				S27	S32	
1	A1970275	GRIP		2	2	
2	A1292126	HAND LEVER, CHANGE		2	2	
3	S446062510	PIN, SPR. W-TY.	Φ6.4x25	9	9	
4	A1292129	SPRING		1	1	
5	S801016010	O-RING (P)	D15.8x2.4	1	1	
6	A1290157	LEVER, MAIN CHANGE		1	1	
7	A1290159	STOPPER		1	1	
8	A1290138	ARM, MAIN SHIFT		1	1	
9	A1290158	LEVER, F-R SYNCHRO		1	1	
10	A20063390	BALL, SHIFTER FORK		3	3	
11	3A1290011	SPRING		3	3	
12	A1293032	BOLT, 4WD SHIFT		2	2	
13	S801010A10	O-RING (P)	D9.8x2.4	2	2	
14	A1290133	ADAPTER, MAIN SHIFT(3,4)		1	1	
15	A1290137	RAIL, MAIN SHIFT (3,4)		1	1	
16	A1290135	FORK, MAIN SHIFT (3,4)		1	1	
17	A1290091	PIN		1	1	
18	A1290132	ADAPTER, MAIN SHIFT(1,2)		1	1	
19	A1290136	RAIL, MAIN SHIFT (1,2)		1	1	
20	A1290134	FORK, MAIN SHIFT (1,2)		1	1	
21	3A1290009	CAP, RAIL		1	1	
22	A1290143	FORK, F-R SYNCHRO		1	1	
23	A1290145	RAIL, F-R SYNCHRO		1	1	
24	S801012010	O-RING (P)	D11.8x2.4	1	1	
25	S364160013	WASHER, PLAN	Φ30xΦ17x3t	1	1	
26	S814015001	RING, SNAP	D15x1.5t	1	1	
27	A0621025	PIN, SPR. W-TY.	D3.5x25	4	4	



# SHIFT LEVER & FORK (291,293)

FIG.3-11A



# SHIFT LEVER & FORK (291,293)

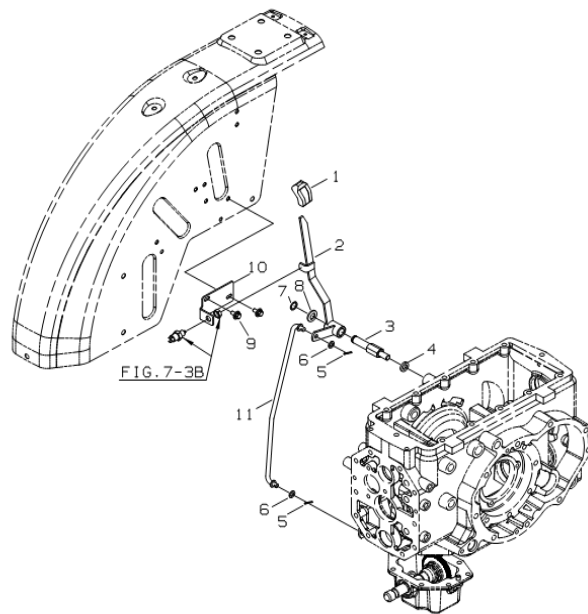
**FIG.3-11A**

NO.	PART NO.	PART NAME & DESCRIPTION		QTY		REMARK
				S27	S32	
1	A1291266	RAIL, 4WD		1	1	
2	A1291135	FORK, 4WD		1	1	
3	S446062510	PIN, SPR. W-TY.	Φ6.4x25	5	5	
4	A20063390	BALL, SHIFTER FORK	(11/32)'	3	3	
5	3A1290011	SPRING		3	3	
6	S801010A10	O-RING (P)	D9.8x2.4	3	3	
7	A1291145	BOLT, RAIL		3	3	
8	A1291261	RAIL, RANGE SHIFT		1	1	
9	A1291260	FORK, RANGE SHIFT		1	1	
10	A1291259	ADAPTER, SUB		2	2	
11	A1291264	RAIL, PTO		1	1	
12	A1291263	FORK, PTO		1	1	
13	A1291267	LEVER, 4WD		1	1	
14	A1291262	LEVER, RANGE SHIFT		1	1	
15	A1291265	LEVER, PTO		1	1	
16	S801016010	O-RING (P)	D15.8x2.4	4	4	
17	S363200013	WASHER, PLN. F-RD.	Φ34xΦ21x3t	1	1	
18	A1293160	HAND LEVER, PTO		1	1	
19	A1970299	KNOB, SUB CHANGE		1	1	
20	A1293161	BRACKET, SWITCH PTO		1	1	
21	S316140013	NUT, HEX.	M14x1.5	1	1	
22	S159082033	BOLT, HEX. W/WASHER	M8x1.25x20	2	2	
23	S446063512	PIN, SPR. W-TY.	Φ6.4x25	3	3	
24	A1293158	HAND LEVER, RANGE SHIFT		1	1	
25	S314100013	NUT, HEX. S. 2-TY.	M10x1.25	2	2	
26	A1970376	KNOB, RANGE		1	1	
27	A1293159	HAND LEVER, 4WD		1	1	
28	A1970375	KNOB, 4WD		1	1	

# SHIFT LEVER & FORK (293)

FIG.3-11B

주변속 레버  
FIG. 3-11 MAIN CHANGE LEVER(293)



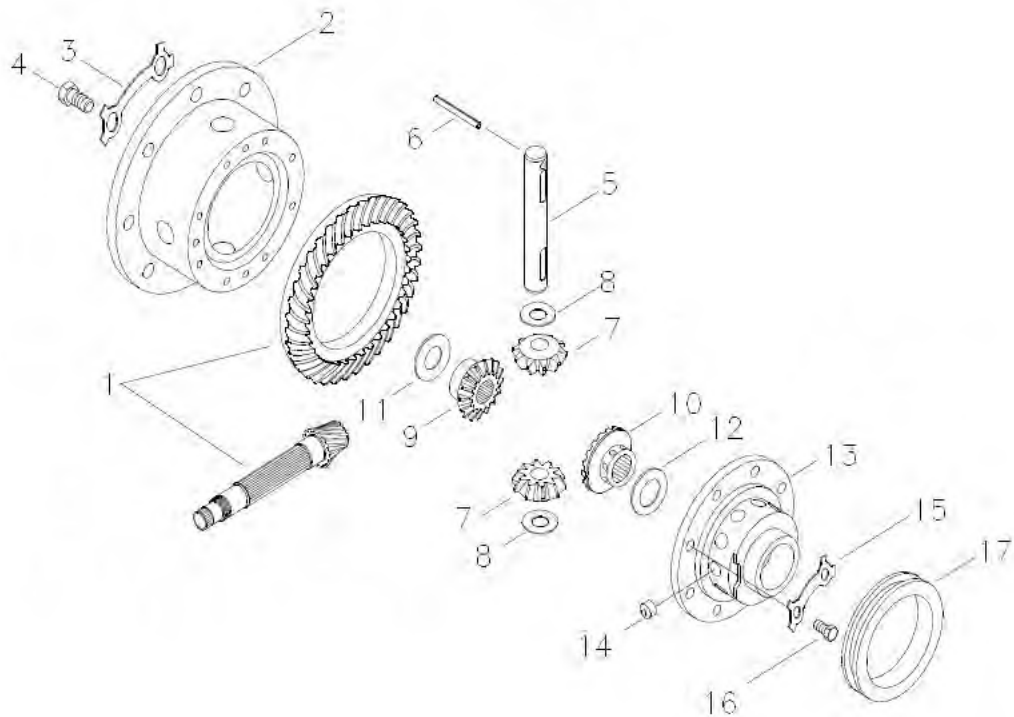
# SHIFT LEVER & FORK (293)

**FIG.3-11B**

NO.	PART NO.	PART NAME & DESCRIPTION	QTY		REMARK
			S27	S32	
1	A1970299	KNOB, SUB CHANGE	1	1	
2	A1293164	HAND LEVER, MID PTO	1	1	
3	A1293198	SHAFT, MID PTO LEVER	1	1	
4	S362140013	WASHER, SPRING 2-TY	1	1	
5	S443100013	PIN, SNAP A-TY.	2	2	
6	S363100013	WASHER, PLN. S-RD	2	2	
7	S810018001	RING, SNAP	1	1	
8	S363180010	WASHER, PLN. S-RD	2	2	
9	S159082033	BOLT, HEX.	2	2	
10	A1293165	BRACKET, SWITCH	1	1	
11	A1293166	ROD, MID PTO	1	1	

# REAR DIFFERENTIAL (310)

FIG.4-1



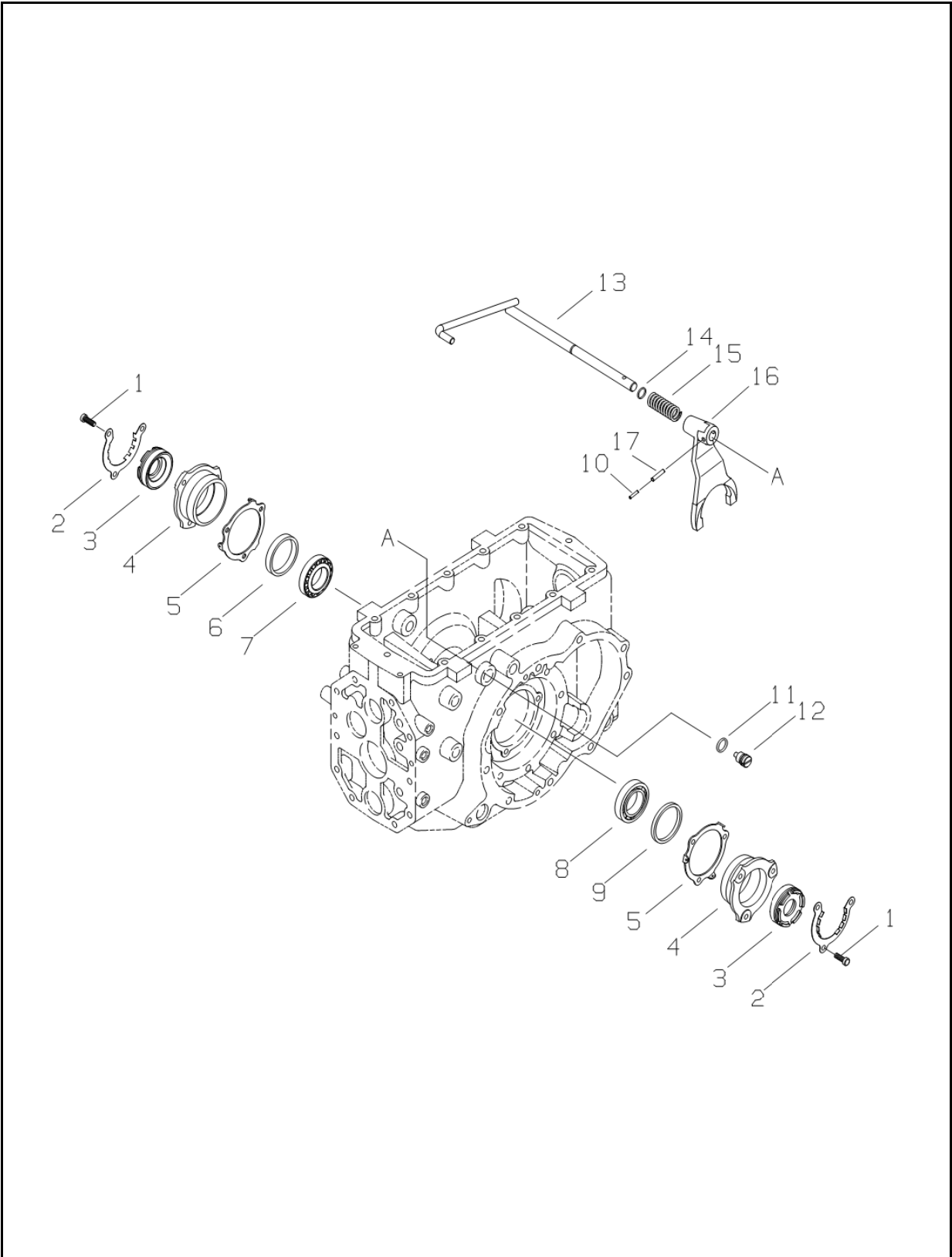
# REAR DIFFERENTIAL (310)

**FIG.4-1**

NO.	PART NO.	PART NAME & DESCRIPTION		QTY		REMARK
				S27	S32	
1-17	A1310002	DIFF ASSY		1	1	
1	A1310003	RING & PINION GEAR SET(6T, 37T)		1	1	
2	A1324091	CASE, DIFF(1)		1	1	
3	3A1324012	WASHER, LOCK	1.0t	4	4	
4	A1324090	BOLT, HEX	M12x1.25x23	8	8	
5	A1324075	SHAFT(1)		1	1	
6	S446065010	PIN, SPRING W-TY	Φ6x50	1	1	
7	A1324116	PINION, MATE		2	2	
8	3A1970123	WASHER, THRUST	0.8t	2	2	
9	A1324118	GEAR, SIDE DIFF(RH)		1	1	
10	A1324117	GEAR, SIDE DIFF(LH)		1	1	
11	3A1970122	WASHER, THRUST	0.8t	1	1	
12	3A1324003	WASHER, THRUST(LH)	Φ55xΦ74x0.8t	1	1	
13	A1324074	CASE, DIFF(2)		1	1	
14	3A1324014	ROLLER	Φ12x1.5	10	10	
15	A1324079	WASHER, LOCK(2)	1.0t	4	4	
16	S105082043	BOLT, HEX	M8x1.25x20	8	8	
17	3A1324007	HUB, DIFF-LOCK		1	1	

# DIFF-LOCK (320)

FIG.4-2



# DIFF-LOCK (320)

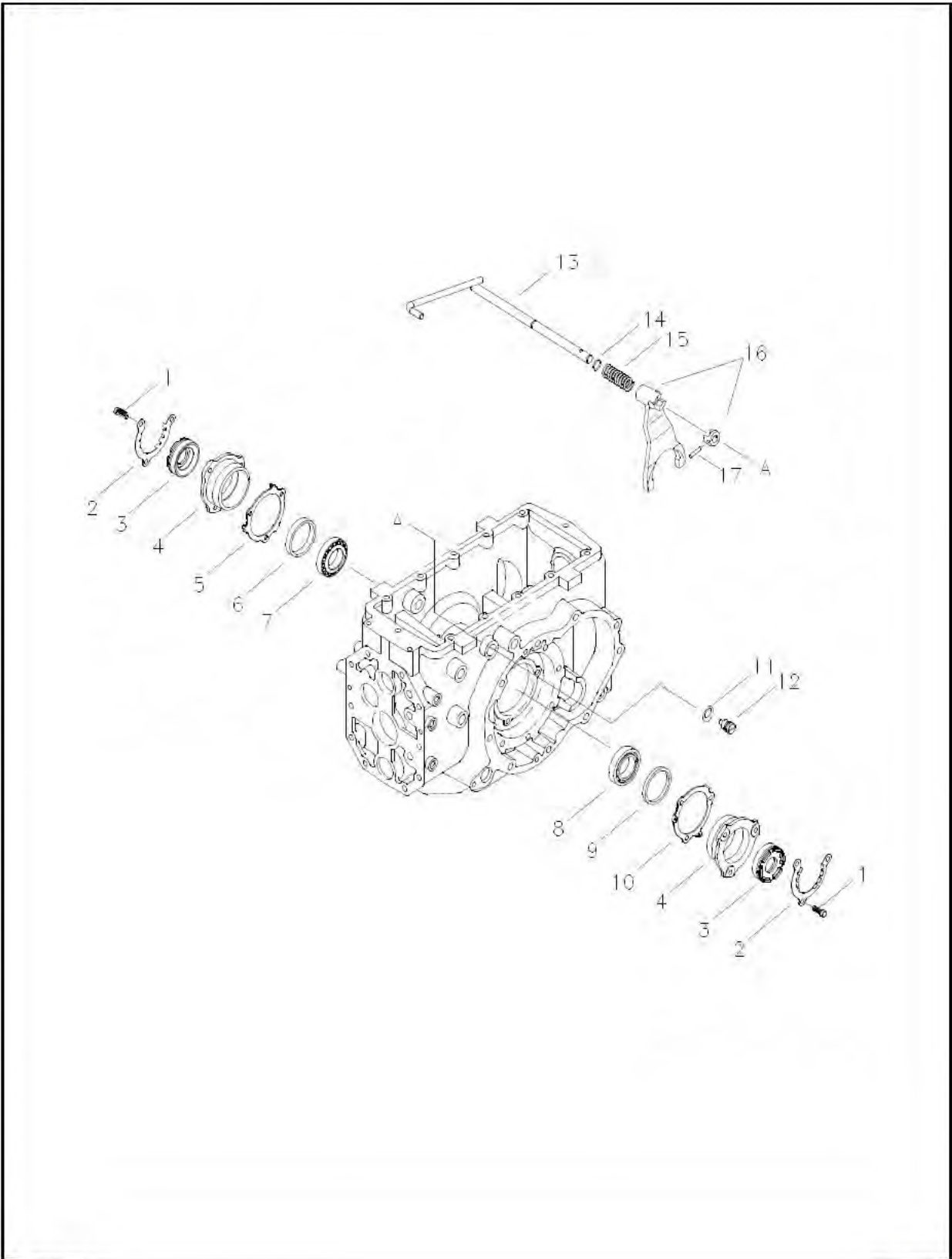
**FIG.4-2**

NO.	PART NO.	PART NAME & DESCRIPTION		QTY		REMARK
				S27	S32	
1	S165102543	BOLT, HEX. F-THRD.	M10x1.25x25	6	6	
2	A1326050	PLATE, LOCK		2	2	
3	3A1326005	SCREW	M85x1.5	2	2	
4	A1326048	SUPPORT, DIFF		2	2	
5	A1650074	HOLDER, SPRING(LH)		2	2	
6	A1326051	SPACER		1	1	
7	A26799980	BEARING, TAPER	#30210	1	1	
8	A0862100	BEARING, BALL	#6210	1	1	
9	A1326052	SPACER		1	1	
10	S446054012	PIN, SPR. W-TY.	Φ5.4x40	1	1	
11	S801021010	O-RING (P)	D20.8x2.4	1	1	
12	A1326046	ADJUST SCREW		1	1	
13	A1320001	PEDAL, DIFF		1	1	
14	S801016010	O-RING (P)	D15.8x2.4	1	1	
15	A1326075	SPRING		1	1	
16	A1320025	FORK, DIFF. LOCK		1	1	
17	S446084012	PIN, SPR. W-TY.	Φ8.6x40	1	1	



# DIFF-LOCK (320)

FIG.4-2



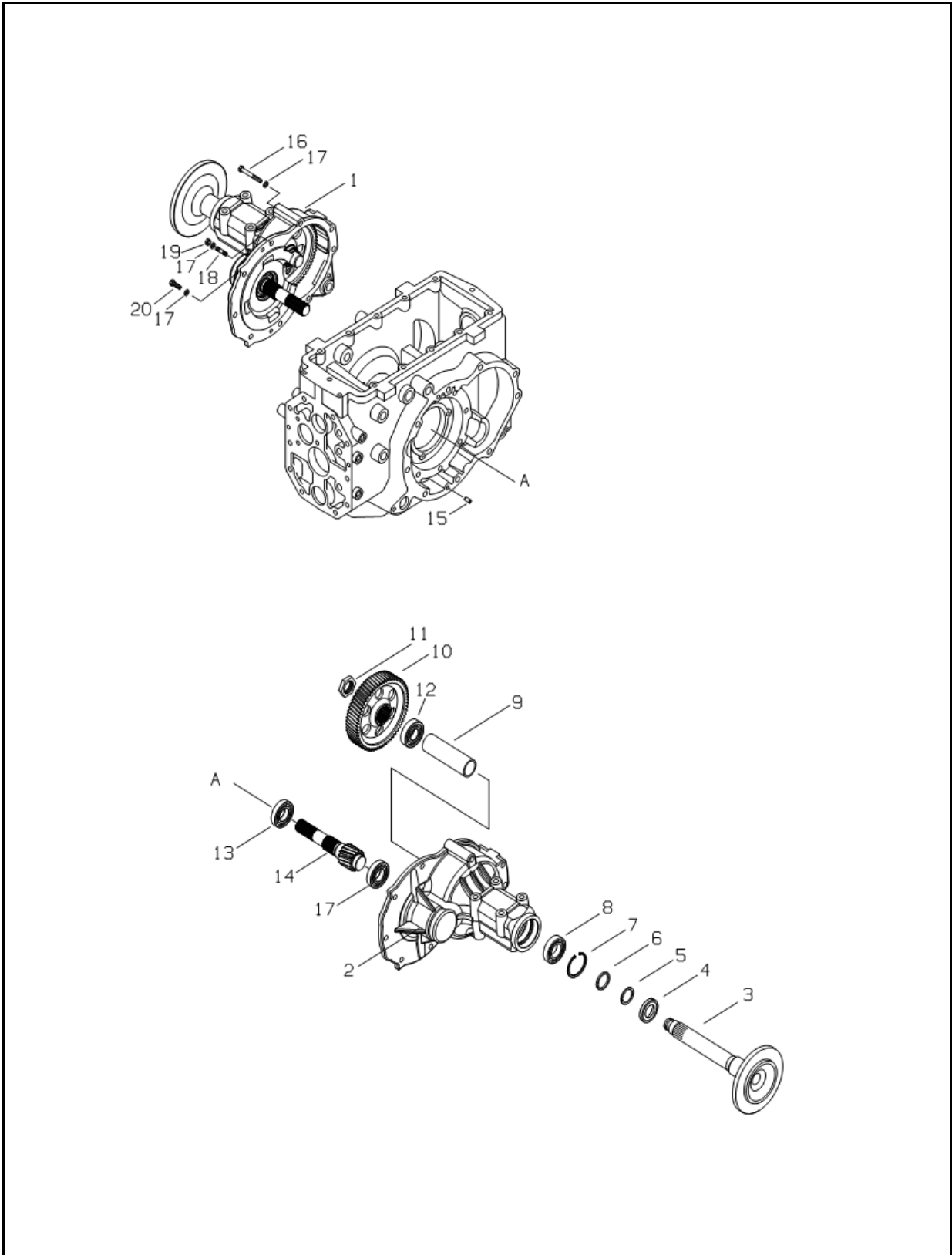
# DIFF-LOCK (320)

**FIG.4-2**

NO.	PART NO.	PART NAME & DESCRIPTION		QTY		REMARK
				S27	S32	
1	S165102543	BOLT, HEX. F-THRD.	M10x1.25x25	6	6	
2	A1326050	PLATE, LOCK		2	2	
3	3A1326005	SCREW	M85x1.5	2	2	
4	A1326048	SUPPORT, DIFF		2	2	
5	A1650075	HOLDER, SPRING(RH)		1	1	
6	A1326051	SPACER		1	1	
7	A26799980	BEARING, TAPER	#30210	1	1	
8	A0862100	BEARING, BALL	#6210	1	1	
9	A1326052	SPACER		1	1	
10	A1650074	HOLDER, SPRING(LH)		1	1	
11	S801021010	O-RING (P)	D20.8x2.4	1	1	
12	A1326046	ADJUST SCREW		1	1	
13	A1320001	PEDAL, DIFF		1	1	
14	S801016010	O-RING (P)	D15.8x2.4	1	1	
15	A1326075	SPRING		1	1	
16	3A1326013	DIFF, LOCK FORK ASSY		1	1	
17	S446084012	PIN, SPR. W-TY.	Φ8.6x40	1	1	

# REAR AXLE (480)

FIG.4-3



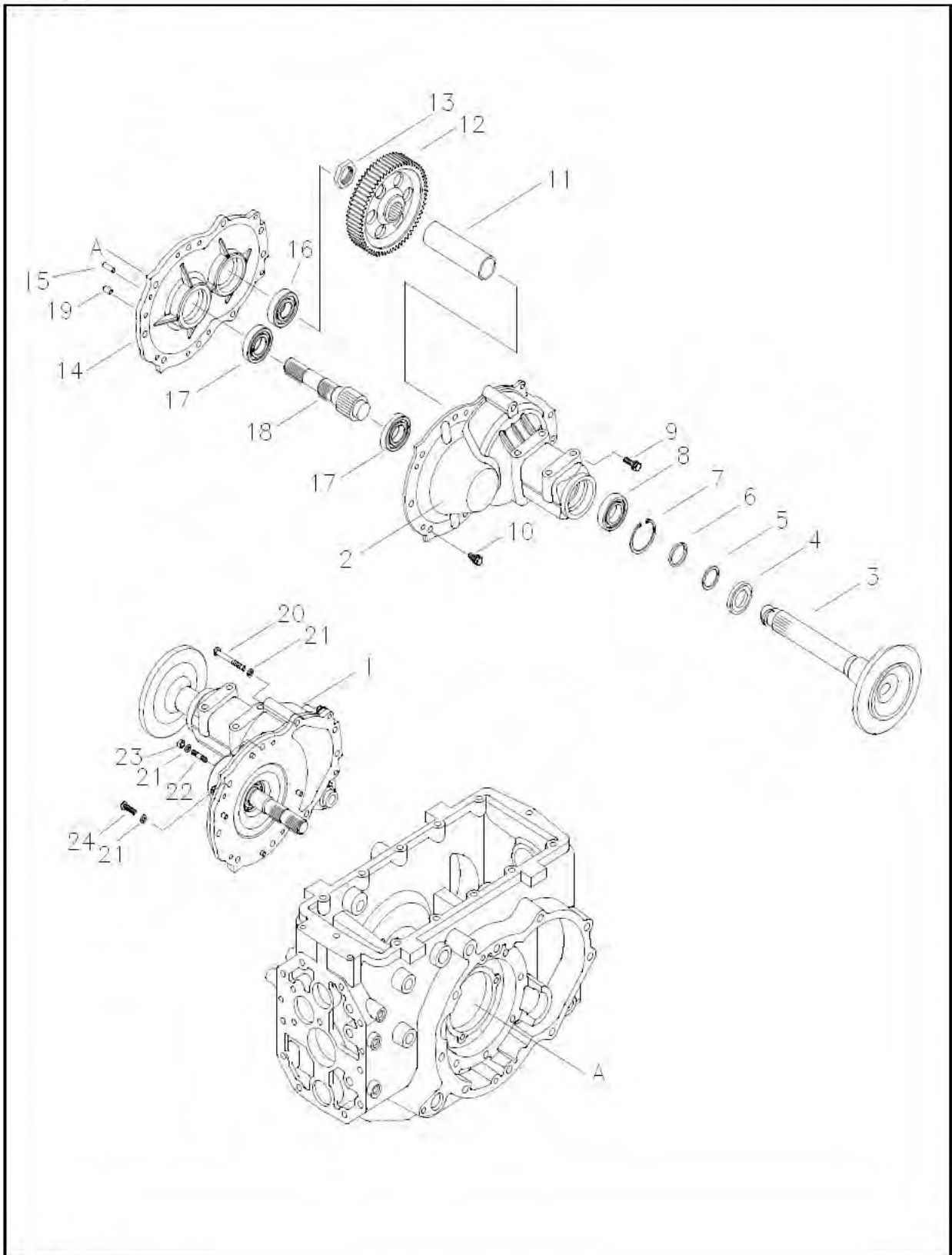
# REAR AXLE (480)

**FIG.4-3**

NO.	PART NO.	PART NAME & DESCRIPTION	QTY		REMARK
			S27	S32	
1,3~19	A1480118	FINAL DRIV ASSY (RH)	1	1	
2~19	A1480117	FINAL DRIVE ASSY (LH)	1	1	
1	A1480116	CASE, F/DRIVE(RH)	1	1	
2	A1480115	CASE, F/DRIVE(LH)	1	1	
3	A1481066	SHAFT, REAR AXLE	1	1	
4	A1450014	SEAL, OIL	1	1	
5	S812045001	RING, SNAP	1	1	Φ41.9
6	A1481068	SPACER	1	1	
7	S811075001	RING, SNAP	1	1	Φ79.5
8	A0860090	BEARING, BALL	1	1	#6009
9	A1481074	SPACER	1	1	
10	A1481065	GEAR, FINAL DRVN.(65T)	1	1	
11	A1481040	NUT, LOCK	1	1	
12	A0863090	BEARING, BALL	1	1	#6309
13	A0862080	BEARING, BALL	2	2	#6208
14	A1481064	SHAFT, FINAL DRV. W/GEAR(16T)	1	1	
15	S423102010	PIN_PAR A-TY	4	4	Φ10x20
16	S102141243	BOLT, HEX.	8	8	M14x2.0x120
17	S362140013	WASHER, SPR. 2-TY.	18	18	Φ24.7xΦ14.2x4.2t
18	S137144023	BOLT, STUD	4	4	M14x2.0x45
19	S301140043	NUT, HEX. 1-TY.	4	4	M14x2.0
20	S101144043	BOLT, HEX.	6	6	M14x2.0x45

# REAR AXLE (480)

FIG.4-3



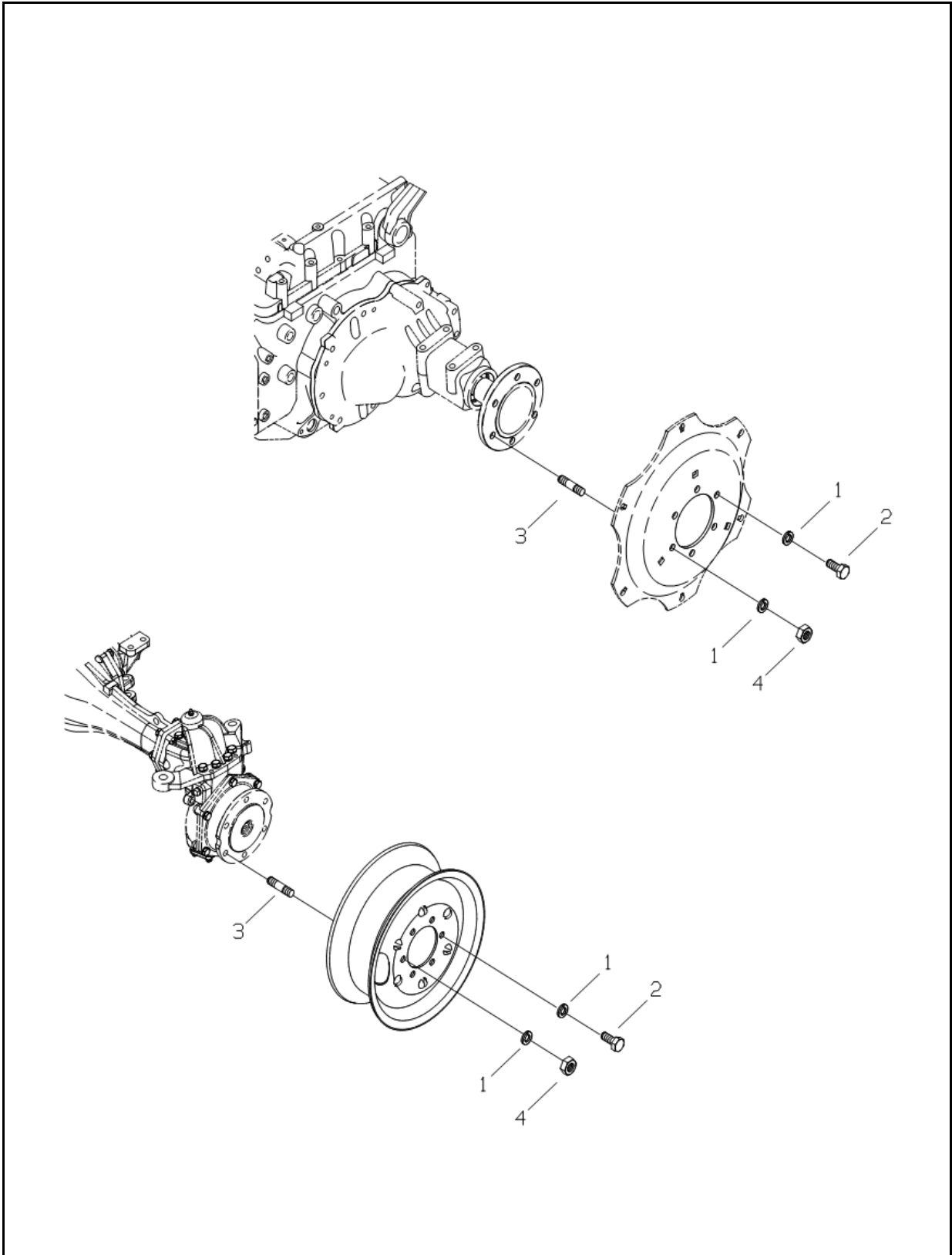
# REAR AXLE (480)

**FIG.4-3**

NO.	PART NO.	PART NAME & DESCRIPTION	QTY		REMARK
			S27	S32	
1,3~19	A1480104	FINAL DRIV ASSY (RH)	1	1	
2~19	A1480103	FINAL DRIVE ASSY (LH)	1	1	
1	A1480106	HOUSING, F/DRIVE(RH)	1	1	
2	A1480105	HOUSING, F/DRIVE(LH)	1	1	
3	A1481066	SHAFT, REAR AXLE	1	1	
4	A1450014	SEAL, OIL	1	1	
5	S812045001	RING, SNAP	1	1	Φ41.9
6	A1481068	SPACER	1	1	
7	S811075001	RING, SNAP	1	1	Φ79.5
8	A0860090	BEARING, BALL	1	1	#6009
9	S156103533	BOLT, HEX	1	1	M10×1.25x35
10	S156102533	BOLT, HEX	8	8	M10×1.25x25
11	A1481067	SPACER	1	1	
12	A1481065	GEAR, FINAL DRVN.(65T)	1	1	
13	A1481040	NUT, LOCK	1	1	
14	A1480107	HOUSING, BRAKE	1	1	
15	S423103210	PIN_PAR A-TY	2	2	Φ10x32
16	A0863070	BEARING, BALL	1	1	#6307
17	A0862080	BEARING, BALL	2	2	#6208
18	A1481064	SHAFT, FINAL DRV. W/GEAR(16T)	1	1	
19	S423102010	PIN_PAR A-TY	2	2	Φ10×20
20	S102141243	BOLT, HEX.	4	4	M14x2.0x120
21	S362140013	WASHER, SPR. 2-TY.	9	9	Φ24.7xΦ14.2x4.2t
22	S137144523	BOLT, STUD	2	2	M14x2.0x45
23	S301140043	NUT, HEX. 1-TY.	2	2	M14x2.0
24	S101144543	BOLT, HEX.	3	3	M14x2.0x45

# FRONT & REAR WHEEL (490)

FIG.4-4A



# FRONT & REAR WHEEL(490)

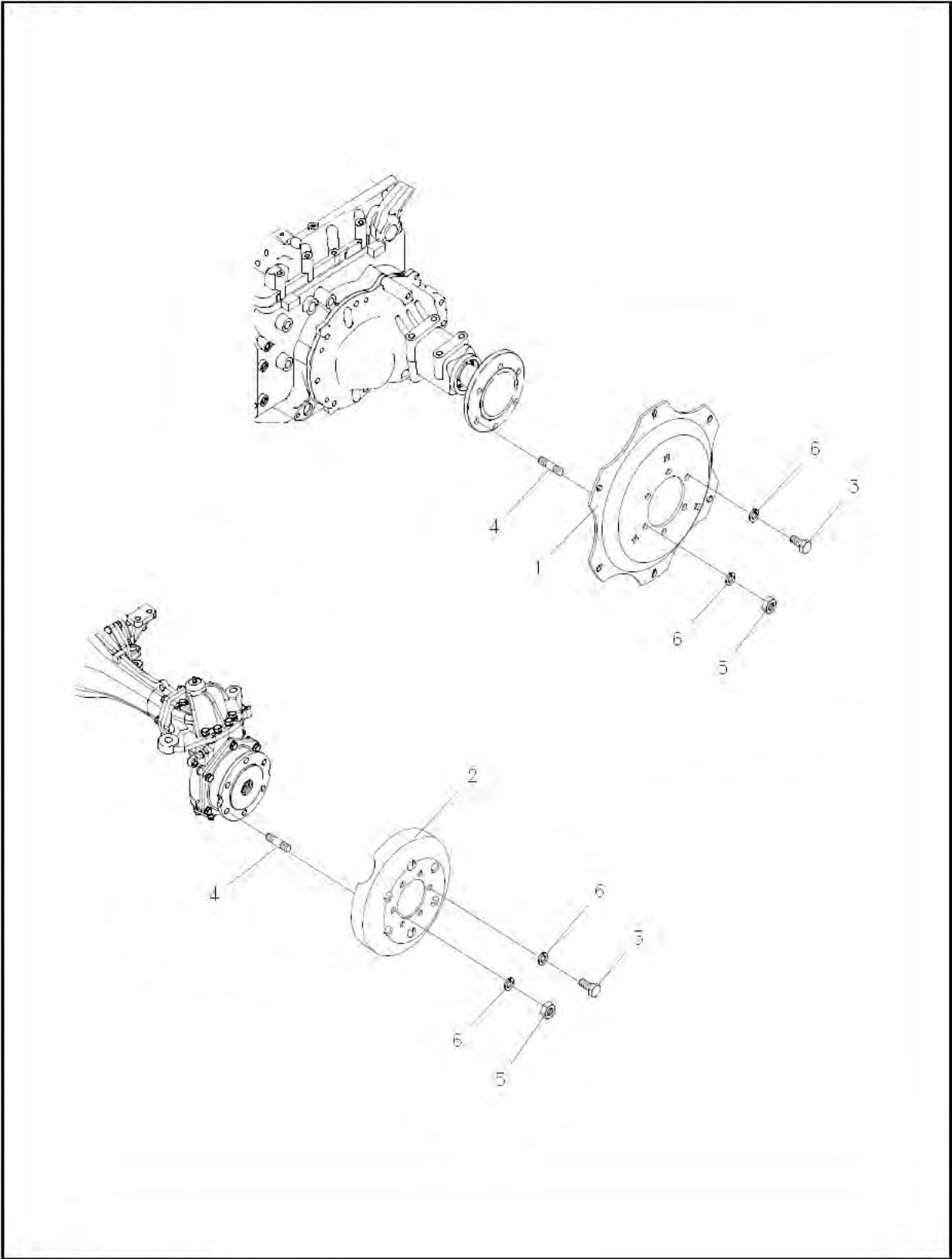
**FIG.4-4A      EX, AG**

NO.	PART NO.	PART NAME & DESCRIPTION		QTY		REMARK
				S27	S32	
1	S361160013	WASHER, SPR. 1-TY.	Φ28xΦ16.2x4t	24	24	
2	S103163043	BOLT, HEX	M16x1.5x30	16	16	
3	S167162523	BOLT, STUD	M16x1.5x25	8	8	
4	S302160043	NUT, HEX	M16x1.5	8	8	



# FRONT & REAR WHEEL (490)

FIG.4-4



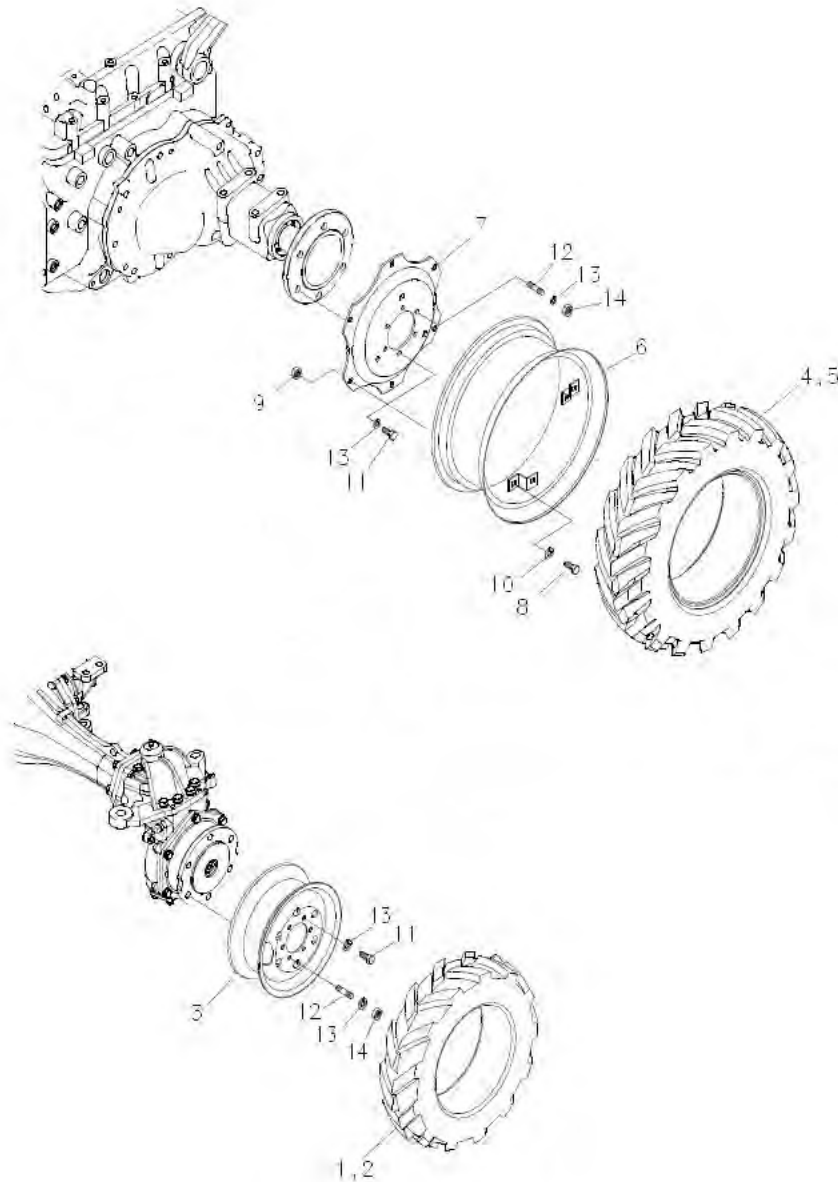
# FRONT & REAR WHEEL(490)

**FIG.4-4**

NO.	PART NO.	PART NAME & DESCRIPTION		QTY		REMARK
				S27	S32	
1	A1490188	DISK		2	2	
2	A1490189	DISK		2	2	
3	S103163043	BOLT, HEX	M16x1.5x30	16	16	
4	S167162523	BOLT, STUD	M16x1.5x25	8	8	
5	S302160043	NUT, HEX	M16x1.5	8	8	
6	S361160013	WASHER, SPR. 1-TY.	Φ28xΦ16.2x4t	24	24	

# FRONT & REAR WHEEL (490)

FIG.4-4B



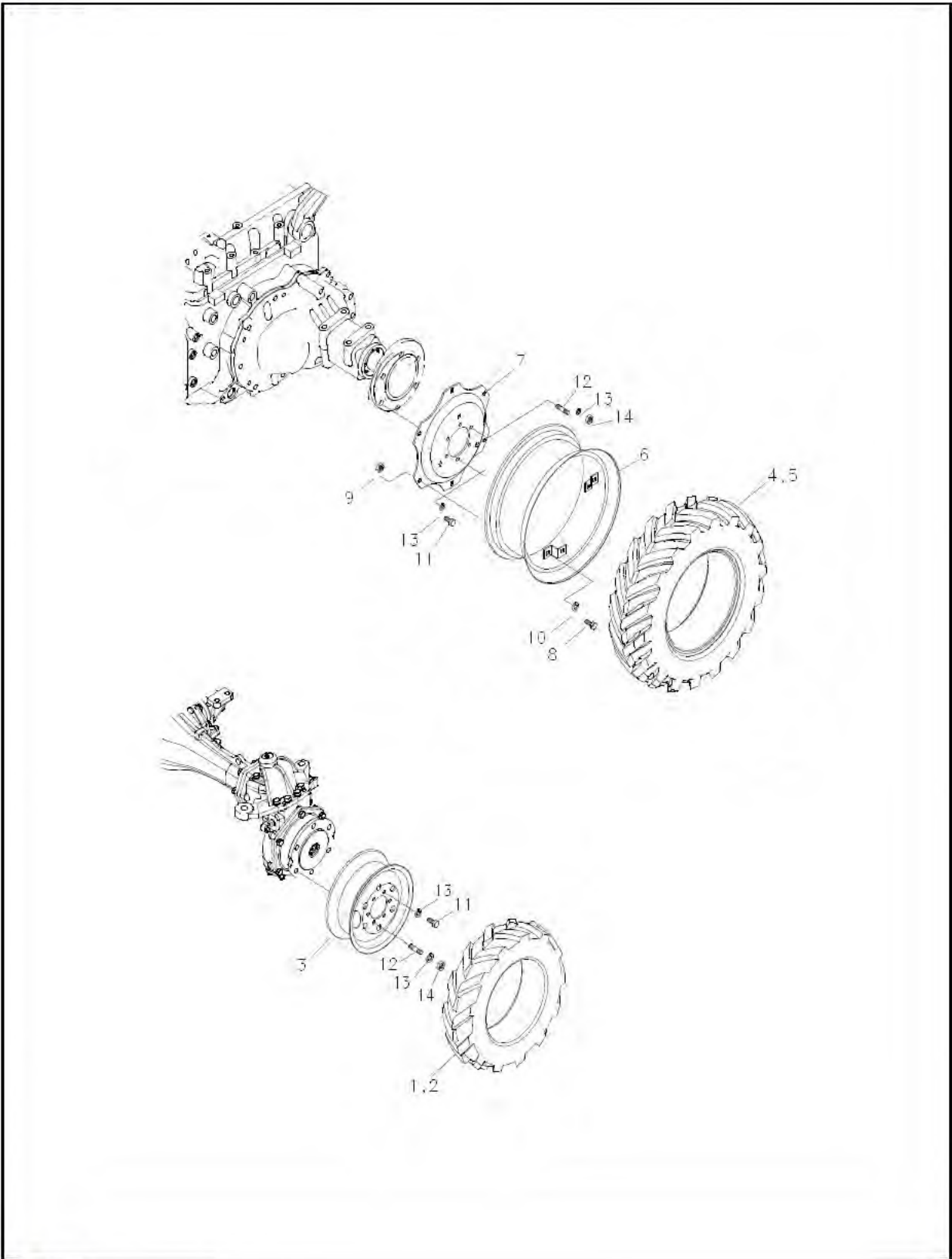
# FRONT & REAR WHEEL (490)

**FIG.4-4B**

NO.	PART NO.	PART NAME & DESCRIPTION		QTY		REMARK
				S27	S32	
1	A1494069	TIRE FRONT	7-16(4PR)	2	2	
2	A1490036	TUBE FRONT		2	2	
3	A1490019	FRONT RIM ASSY		2	2	
4	A1490070	TIRE REAR	11.2-24(6PR)	2	2	
5	A1490038	TUBE REAR		2	2	
6-10	A1490150	REAR RIM ASSY		*	2	
	A1490149	REAR RIM ASSY		2	*	
6	A5000518	REAR RIM		*	2	
	A5000525	REAR RIM		2	*	
7	A1490148	DISK		2	2	
8	A1970077	BOLT HEX		12	12	
9	S306160013	NUT HEX		12	12	
10	S361160013	WASHER SPR		12	12	
11	S103163043	BOLT, HEX	M16x1.5x30	16	16	
12	S167162523	BOLT, STUD	M16x1.5x25	8	8	
13	S361160013	WASHER, SPR. 1-TY.	Φ28xΦ16.2x4t	24	24	
14	S302160043	NUT, HEX	M16x1.5	8	8	

# FRONT & REAR WHEEL (490)

FIG.4-4



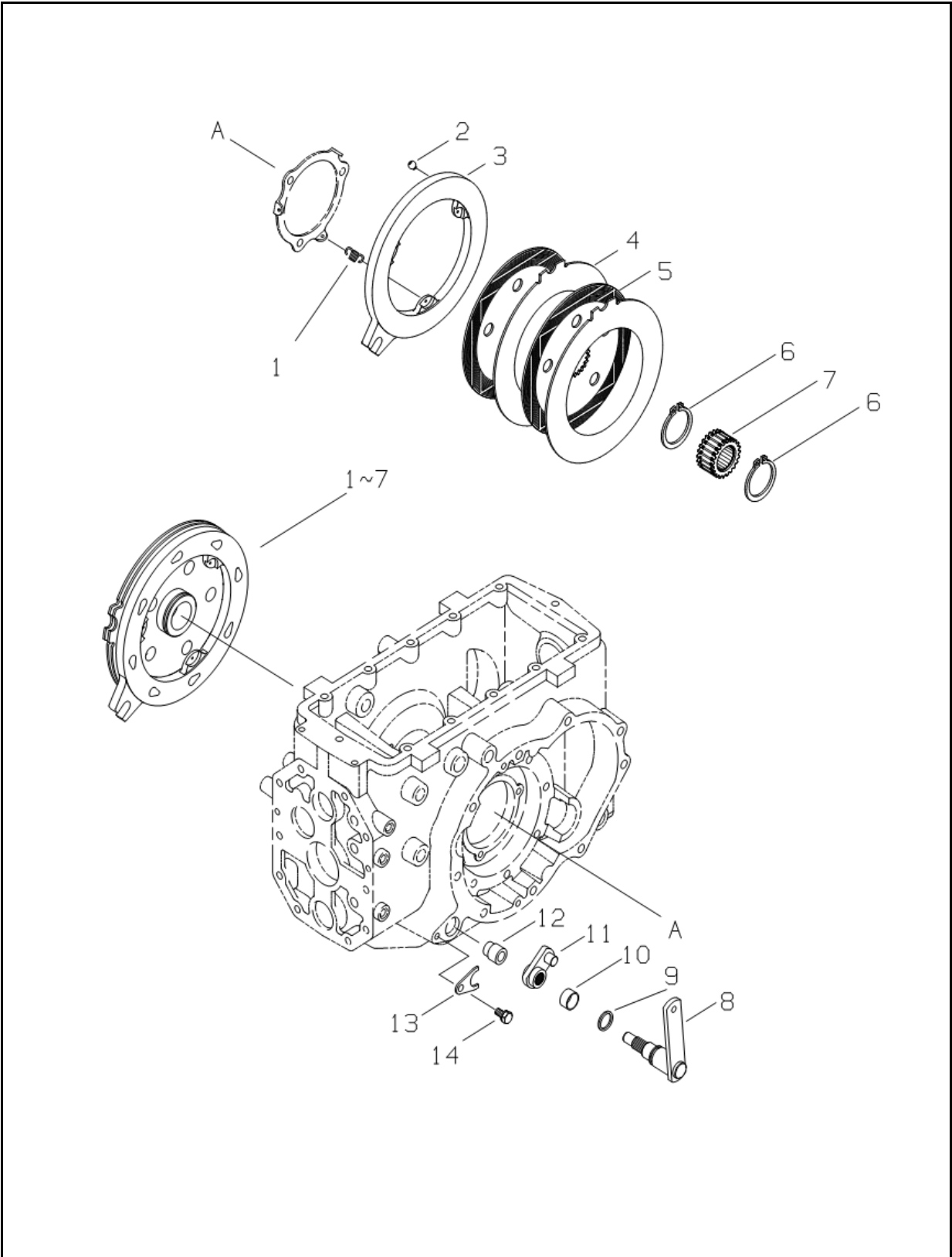
# FRONT & REAR WHEEL (490)

**FIG.4-4B**

NO.	PART NO.	PART NAME & DESCRIPTION		QTY		REMARK
				S27	S32	
1	A1822073	TIRE FRONT	7-16(4PR)		2	
		TIRE FRONT		2		
2	A1490036	TUBE FRONT			2	
		TUBE FRONT		2		
3	A1490019	FRONT RIM ASSY			2	
4	A1490070	FRONT RIM ASSY		2		
		TIRE REAR	11.2-24(6PR)		2	
		TIRE REAR		2		
5	A1490038	TUBE REAR			2	
		TUBE REAR		2		
6-10	A1490150	REAR RIM ASSY			2	
	A1490149	REAR RIM ASSY		2		
6	A5000518	REAR RIM			2	
	A5000525	REAR RIM		2		
7	A1490167	DISK		2	2	
8	A1970077	BOLT HEX		12	12	
9	S306160013	NUT HEX		12	12	
10	S361160013	WASHER SPR		12	12	
11	S103163043	BOLT, HEX	M16x1.5x30	16	16	
12	S167162523	BOLT, STUD	M16x1.5x25	8	8	
13	S361160013	WASHER, SPR. 1-TY.	φ28xφ16.2x4t	24	24	
14	S302160043	NUT, HEX	M16x1.5	8	8	

# BRAKE (650)

FIG.4-5



# BRAKE (650)

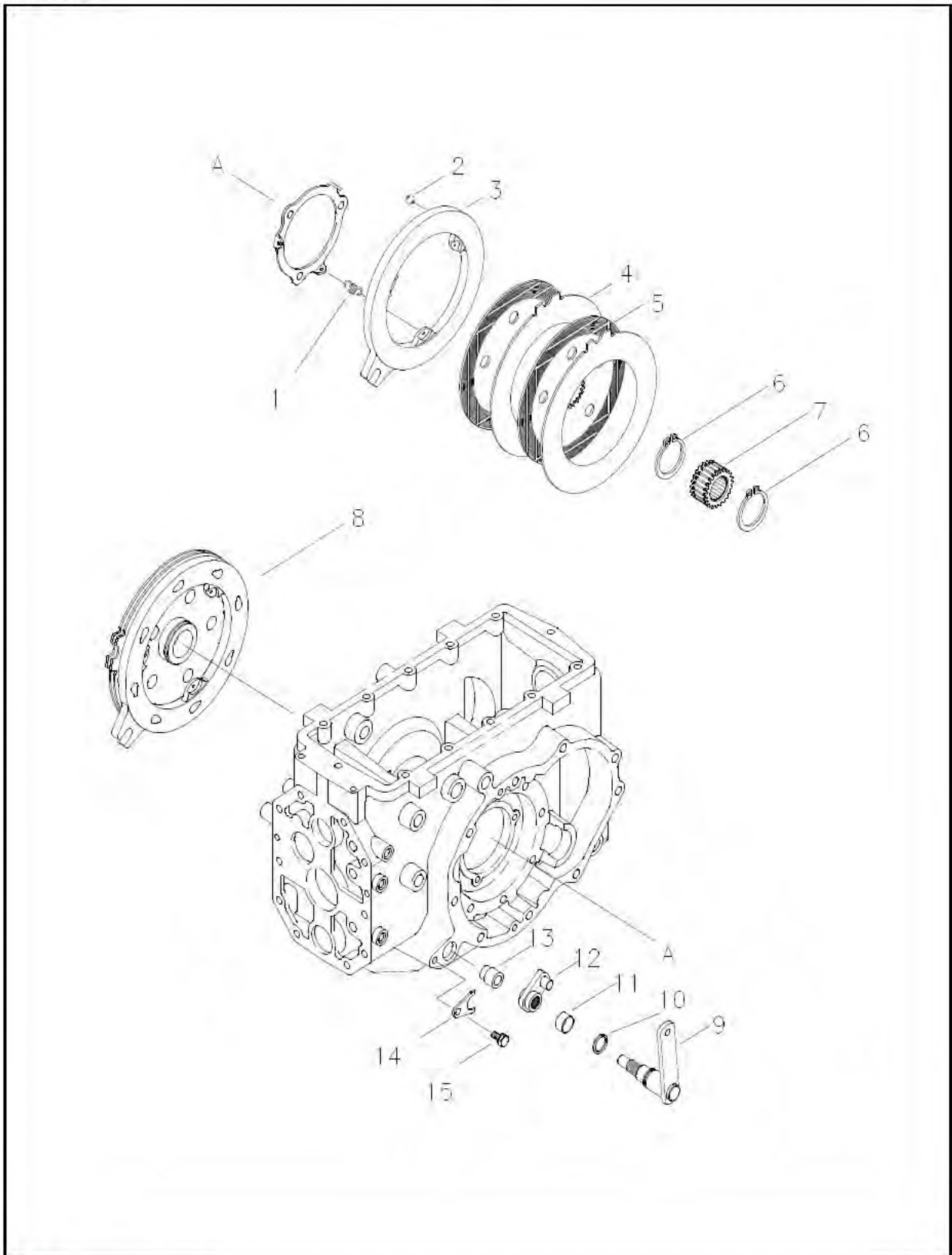
**FIG.4-5**

NO.	PART NO.	PART NAME & DESCRIPTION	QTY		REMARK
			S27	S32	
1~7	A1650072	BRAKE ASSY(LH)	1	1	
	A1650071	BRAKE ASSY(RH)	1	1	
1	3A1653010	SPRING	3	3	
2	3A1653007	BALL	8	8	1/2"
3	A1650077	PLATE, CAM(LH)	1	1	
	A1650076	PLATE, CAM(RH)	1	1	
4	A1650107	PLATE, PRESSURE	2	2	
5	A1653063	PLATE, FRICTION	2	2	
6	S810058001	RING, SNAP	2	2	Φ53.8
7	A1650078	BOSS, SPLINE	1	1	
8	A1650101	LEVER, BRAKE	2	2	
9	S801025010	O-RING(P)	2	2	D24.7x3.5
10	A0677815	BUSHING, DU	2	2	Φ25xΦ22x21L
11	A1650079	ARM, BRAKE LEVER	2	2	
12	A1650102	BUSHING, BRAKE LEVER	2	2	
13	A1650091	PLATE	2	2	
14	S154102033	BOLT, HEX. W/WASHER	2	2	M10x1.25x20



# BRAKE (650)

FIG.4-5



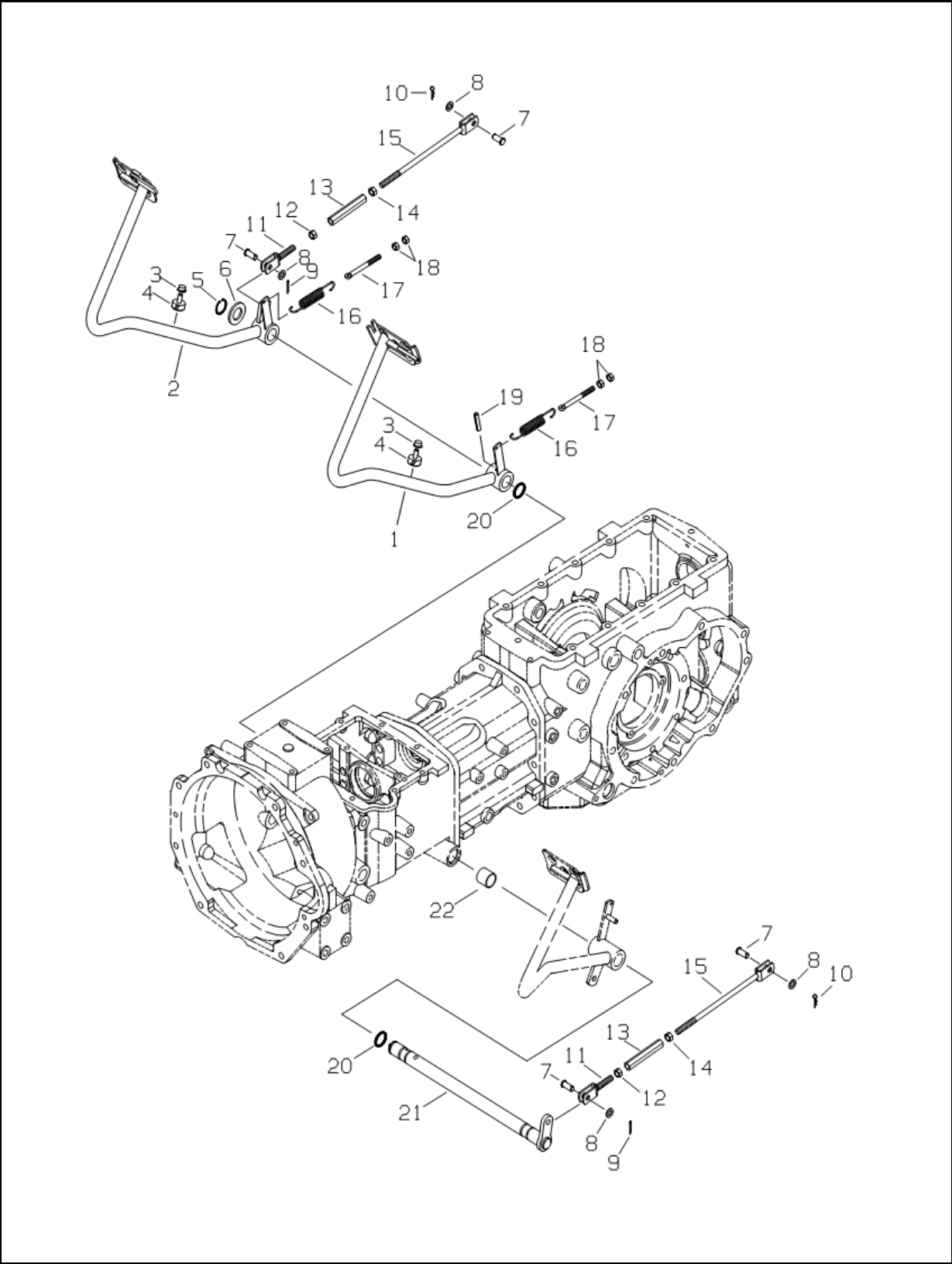
# BRAKE (650)

**FIG.4-5**

NO.	PART NO.	PART NAME & DESCRIPTION		QTY		REMARK
				S27	S32	
1~7	A1650072	BRAKE ASSY(LH)		1	1	
1	3A1653010	SPRING		3	3	
2	3A1653007	BALL	1/2"	8	8	
3	A1650076	PLATE, CAM(LH)		1	1	
4	A1650107	PLATE, PRESSURE		2	2	
5	A1653063	PLATE, FRICTION		2	2	
6	S810058001	RING, SNAP	Φ53.8	2	2	
7	A1650078	BOSS, SPLINE		1	1	
8	A1650071	BRAKE ASSY(RH)		1	1	
9	A1650101	LEVER, BRAKE		2	2	
10	S801025010	O-RING(P)	D24.7x3.5	2	2	
11	A0677815	BUSHING, DU	Φ25xΦ22x21L	2	2	
12	A1650079	ARM, BRAKE LEVER		2	2	
13	A1650102	BUSHING, BRAKE LEVER		2	2	
14	A1650091	PLATE		2	2	
15	S154102033	BOLT, HEX. W/WASHER	M10x1.25x20	2	2	

# BRAKE PEDAL (670)

FIG.4-6



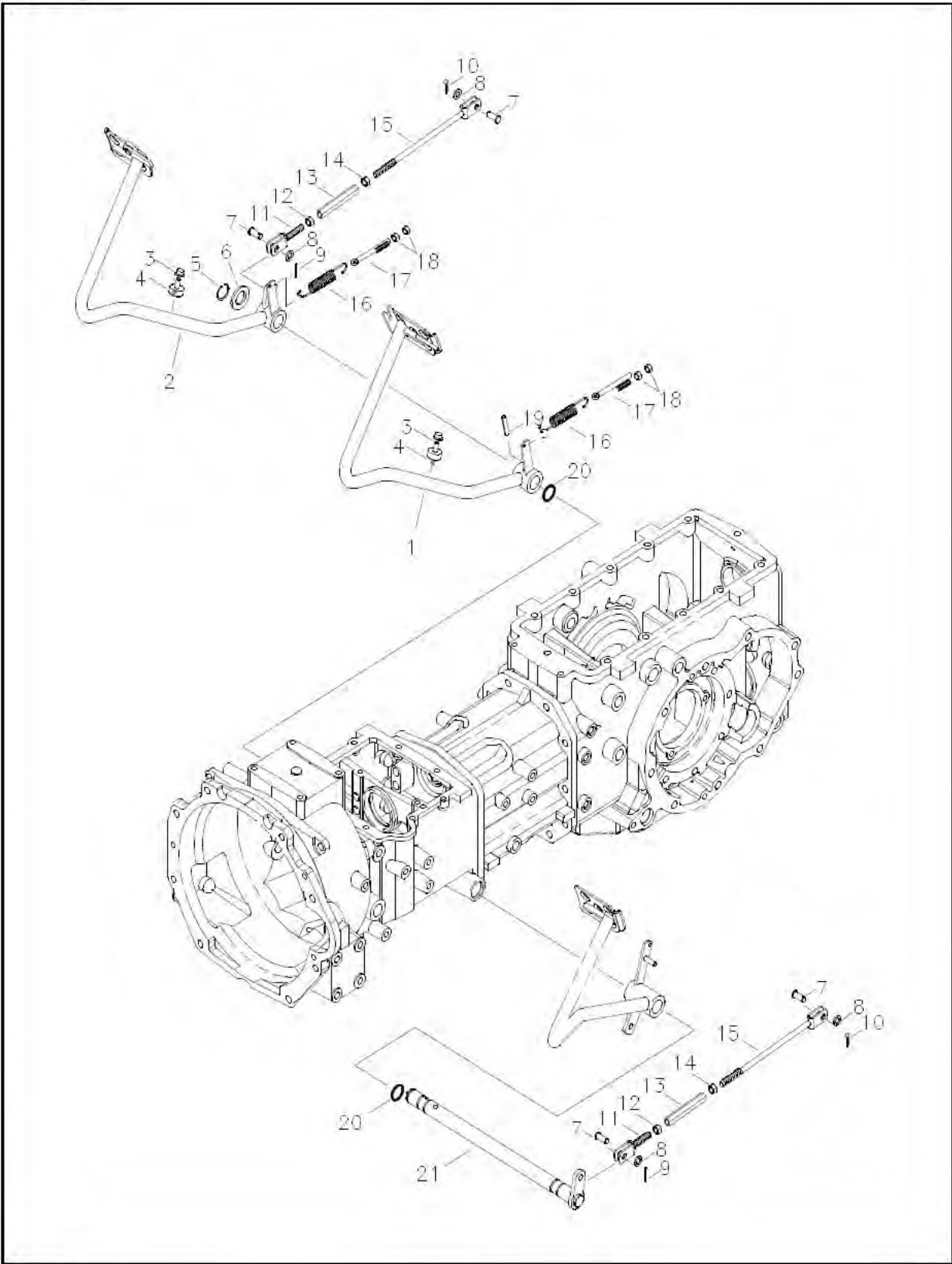
# BRAKE PEDAL (670)

**FIG.4-6**

NO.	PART NO.	PART NAME & DESCRIPTION		QTY		REMARK
				S27	S32	
1	A1670292	PEDAL, BRAKE LH		1	1	
2	A1670293	PEDAL, BRAKE RH		1	1	
3	S345080013	NUT, FLANGE B-TY.	M8x1.25	2	2	
4	A3260012	RUBBER		2	2	
5	S810025001	RING, SNAP	Φ23.2	1	1	
6	S364240013	WASHER, PLN. F-RD.	Φ44xΦ25x4t	1	1	
7	A1670118	PIN		4	4	
8	S364100013	WASHER, PLN. S-RD.	Φ18xΦ10.5x2t	4	4	
9	S441252013	PIN, SPLIT		2	2	
10	S443100013	PIN, SNAP A-TY	Φ1.8	2	2	
11~15	A1670290	BRAKE ROD ASSY		2	2	
11	A1260069	LINK, CLUTCH		1	1	
12	S314100013	NUT, HEX. S. 2-TY.	M10x1.25	1	1	
13	A1260078	ADJUSTER, CONTROL		1	1	
14	A0610072	NUT, HEX(LH)	M10x1.25(L)	2	2	
15	A1670291	ROD BRAKE		1	1	
16	A1670255	SPRING		2	2	
17	A1260073	ADJUSTER		2	2	
18	S313080013	NUT, HEX	M8x1.25	4	4	
19	S446084012	PIN, SPR. W-TY.	Φ8.6x40	1	1	
20	S801025010	O-RING (P)	D24.7x3.5	2	2	
21	A1670327	SHAFT, BRAKE PEDAL		1	1	
22	A1970203	BUSHING, DU		2	2	

# BRAKE PEDAL (670)

FIG.4-6



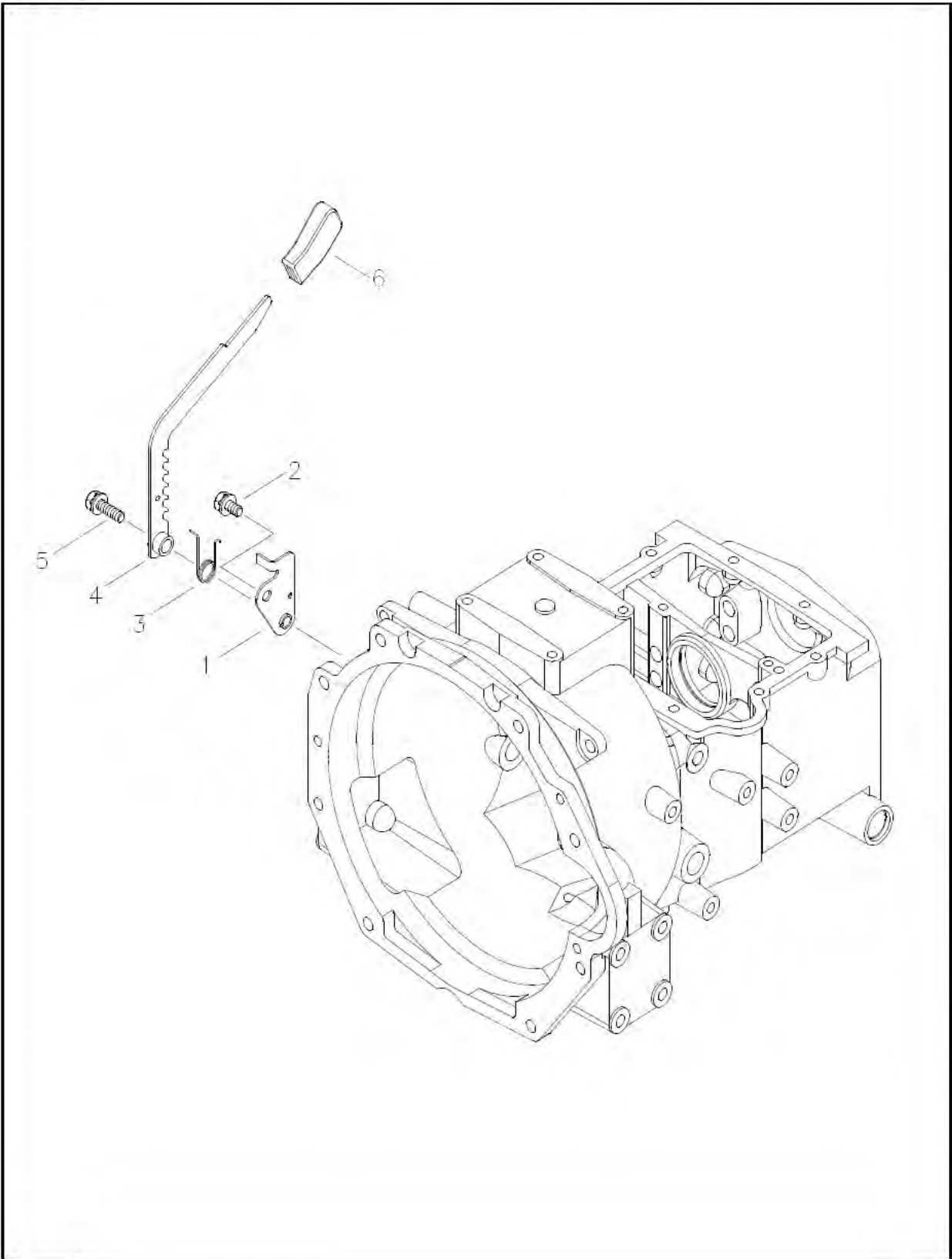
# BRAKE PEDAL (670)

**FIG.4-6**

NO.	PART NO.	PART NAME & DESCRIPTION		QTY		REMARK
				S27	S32	
1	A1670292	PEDAL, BRAKE LH		1	1	
2	A1670293	PEDAL, BRAKE RH		1	1	
3	S345080013	NUT, FLANGE B-TY.	M8x1.25	2	2	
4	A3260012	RUBBER		2	2	
5	S810025001	RING, SNAP	Φ23.2	1	1	
6	S364240013	WASHER, PLN. F-RD.	Φ44xΦ25x4t	1	1	
7	A1670118	PIN		4	4	
8	S363100013	WASHER, PLN. S-RD.	Φ18xΦ10.5x2t	4	4	
9	S441302013	PIN, SPLIT		2	2	
10	S443100013	PIN, SNAP A-TY	Φ1.8	2	2	
11~15	A1670290	BRAKE ROD ASSY		2	2	
11	A1260069	LINK, CLUTCH		1	1	
12	S314100013	NUT, HEX. S. 2-TY.	M10x1.25	1	1	
13	A1260078	ADJUSTER, CONTROL		1	1	
14	A0610262	NUT, HEX	M10x1.25(L)	2	2	
15	A1670291	ROD BRAKE		1	1	
16	A1670255	SPRING		2	2	
17	A1260073	ADJUSTER		2	2	
18	S301080043	NUT, HEX	M8x1.25	4	4	
19	S446084012	PIN, SPR. W-TY.	Φ8.6x40	1	1	
20	S801025010	O-RING (P)	D24.7x3.5	2	2	
21	A1670327	SHAFT, BRAKE PEDAL		1	1	

# PARKING BRAKE LEVER (670)

FIG.4-7



# PARKING BRAKE LEVER (670)

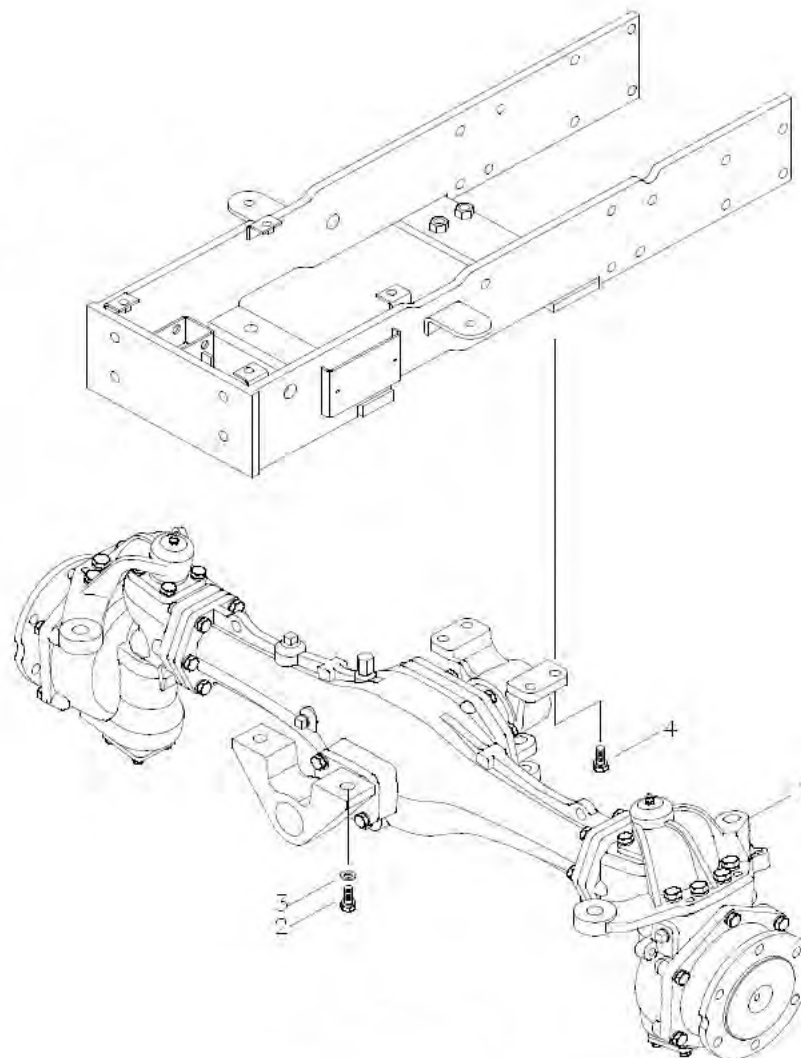
**FIG.4-7**

NO.	PART NO.	PART NAME & DESCRIPTION		QTY		REMARK
				S27	S32	
1	A1670156	BRACKET		1	1	
2	S156102533	BOLT, HEX. W/WASHER	M10x1.25x20	1	1	
3	A1670154	SPRING		1	1	
4	A1670153	RACHET, PARKING		1	1	
5	S156103533	BOLT, HEX. W/WASHER	M10x1.25x35	1	1	
6	A1970241	KNOB, HYD. LIFT LEVER		1	1	



# FRONT AXLE ASSY (400)

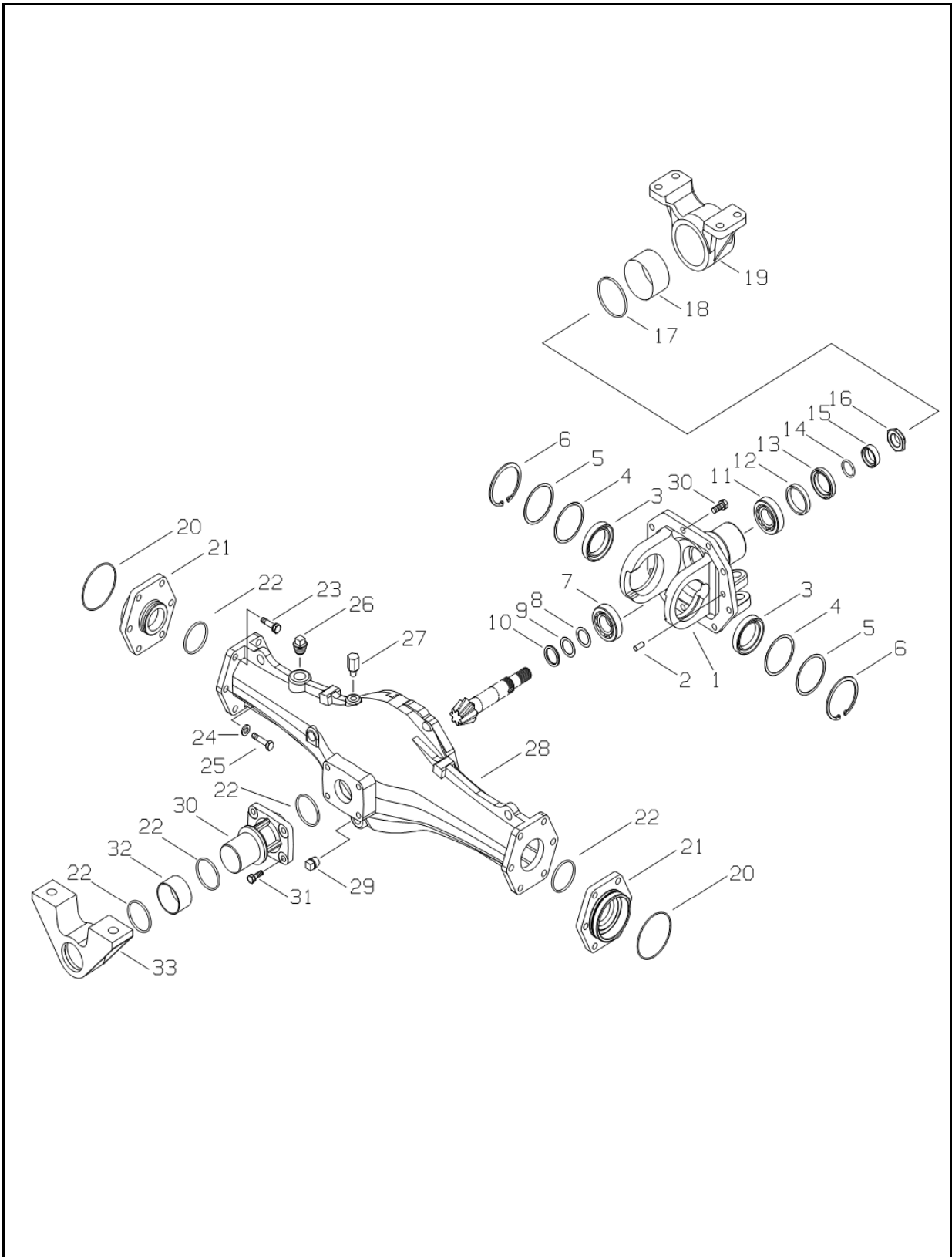
FIG.5-1





# FRONT AXLE CASE (400)

FIG.5-2



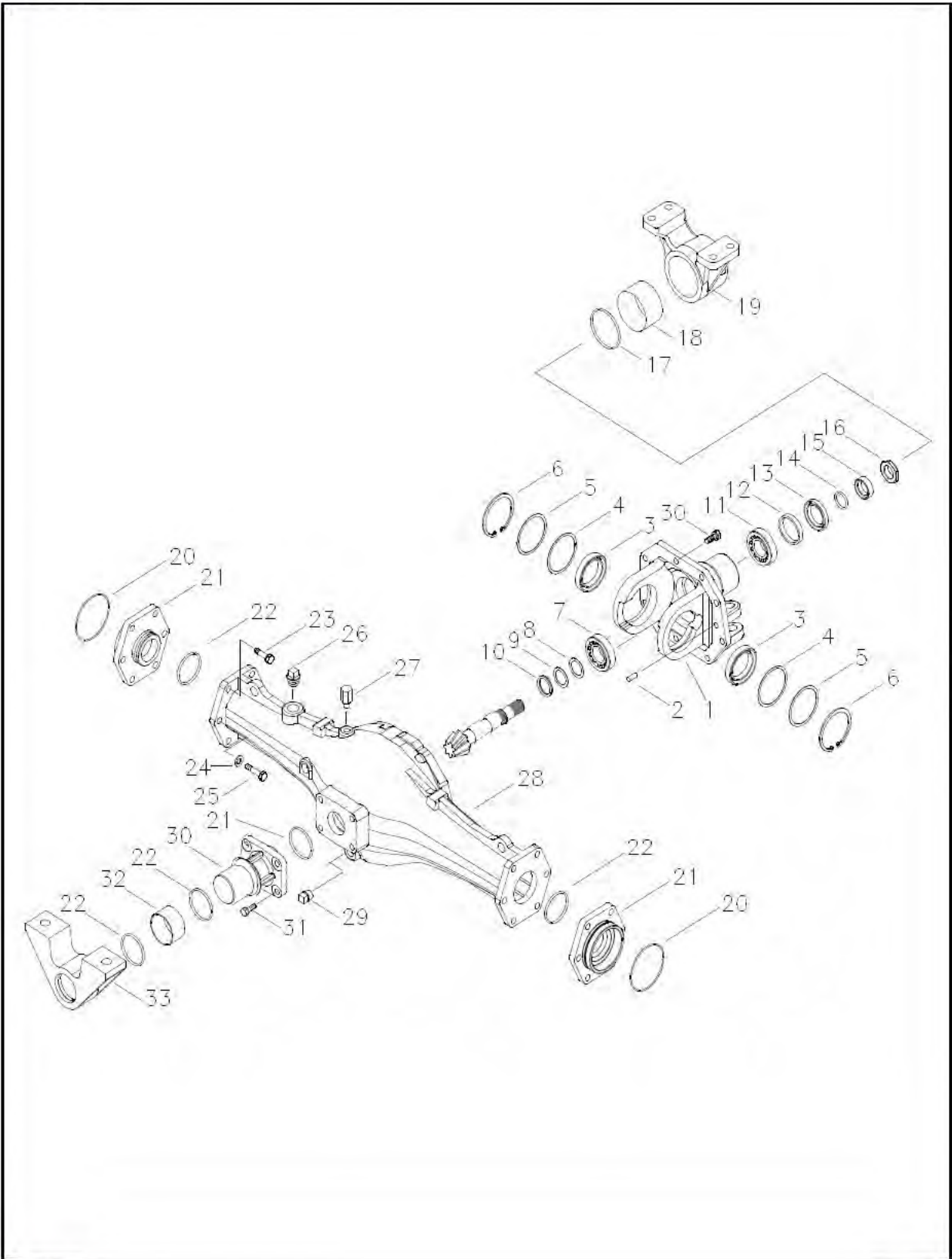
# FRONT AXLE CASE (400)

**FIG.5-2**

NO.	PART NO.	PART NAME & DESCRIPTION		QTY		REMARK
				S27	S32	
1	A1400312	HOLDER, DIFF ASSY		1	1	
2	S423102010	PIN, PAR. A-TY. (h7)	Φ10x20	2	2	
3	A0860090	BEARING, BALL	#6009	2	2	
4	A0660425	LINER		AR	AR	
5	A0660427	LINER		AR	AR	
6	S811075001	RING, SNAP	Φ79.5	2	2	
7	A1400307	BEARING, TAPER ROLLER	#30305C	1	1	
8	A0870605	LINER		AR	AR	
9	A0870601	LINER		AR	AR	
10	A1281472	SPACER		1	1	
11	A0670156	BEARING, TAPER ROLLER	#30205J	1	1	
12	A1400315	SPACER		1	1	
13	A0651353	SEAL, OIL	TC35x52x9	1	1	
14	S802025010	O-RING(G25)	D24.4x3.1	1	1	
15	A1400023	BUSHING, SEAL		1	1	
16	A1281034	NUT, LOCK		1	1	
17	S802065010	O-RING(G65)	D64.4x3.1	1	1	
18	A0678640	BUSHING, DU		1	1	
19	A1400271	BRACKET, F/AXLE REAR		1	1	
20	S804080010	O-RING	D79.5x2.0	2	2	
21	A1400322	CONNECTOR		2	2	
22	S802050010	O-RING(G50)	D49.4x3.1	5	5	
23	Q1550013	BOLT. HEX. W/WASHER	M10x1.25x40	10	10	
24	S361120013	WASHER, SPR. 1-TYPE	Φ18.4xΦ10.2x2.5t	2	2	
25	A1400323	BOLT, REAMER	M10x1.25x47	2	2	
26	3A1970051	PLUG, TAPER	PT3/8	1	1	
27	3A1400004	BREATHER, AIR		1	1	
28	A1400320	CASE, F/AXLE		1	1	
29	3A1970052	PLUG, TAPER		2	2	
30	A1400267	HOLDER, FRONT PIVOT		1	1	
31	S154103033	BOLT. HEX. W/WASHER	M10x1.25x30	12	12	
32	A0678330	BUSHING, DU		1	1	
33	A1400270	BRACKET, F/AXLE FRONT		1	1	

# FRONT AXLE CASE (400)

FIG.5-2



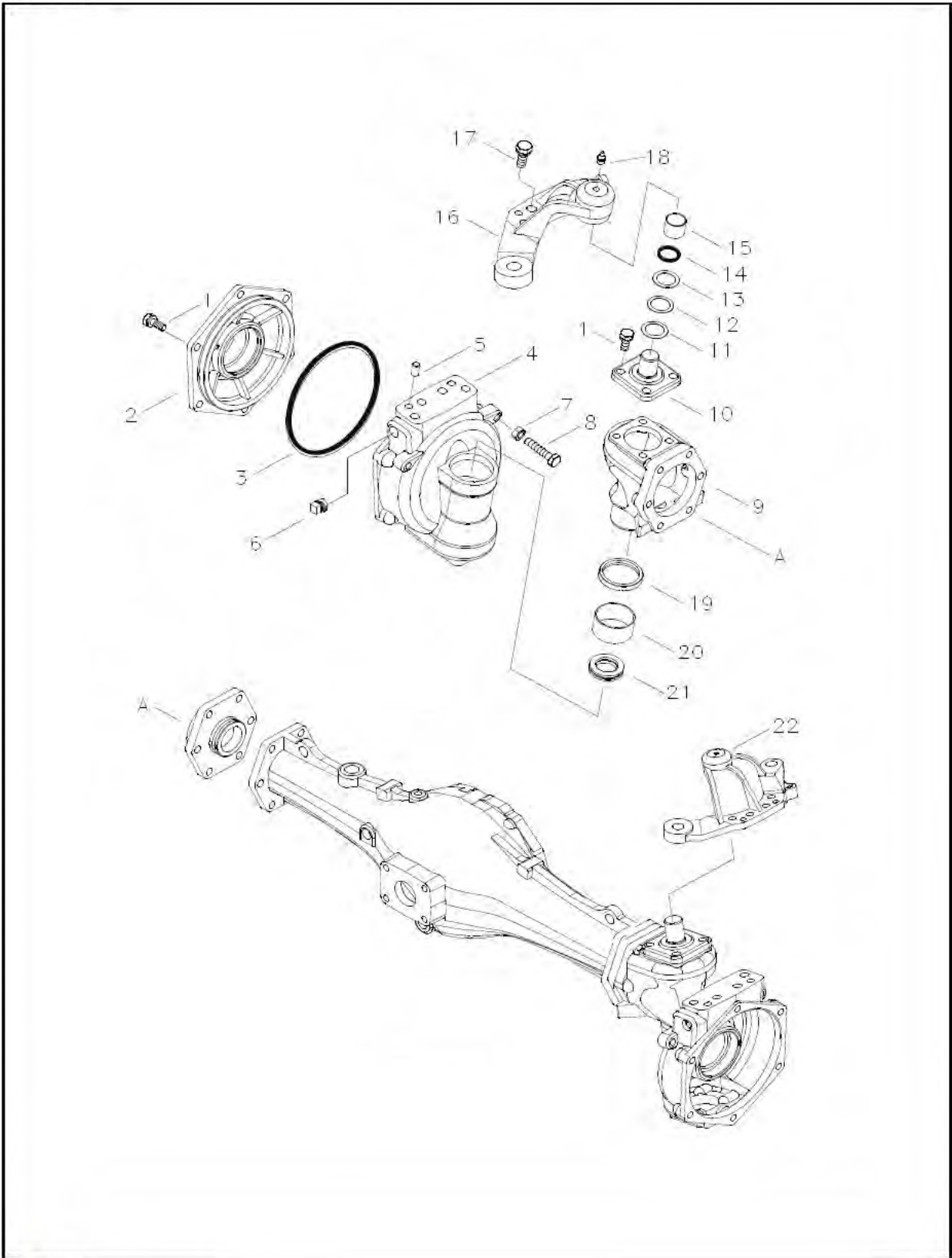
# FRONT AXLE CASE (400)

**FIG.5-2**

NO.	PART NO.	PART NAME & DESCRIPTION		QTY		REMARK
				S27	S32	
1	A1400312	HOLDER, DIFF ASSY		1	1	
2	S423102010	PIN, PAR. A-TY. (h7)	Φ10x20	2	2	
3	A0860090	BEARING, BALL	#6009	2	2	
4	A0660425	LINER		AR	AR	
5	A0660427	LINER		AR	AR	
6	S811075001	RING, SNAP	Φ79.5	2	2	
7	A1400307	BEARING, TAPER ROLLER	#30305C	1	1	
8	A0870605	LINER		AR	AR	
9	A0870601	LINER		AR	AR	
10	A1281472	WASHER, THRUST		1	1	
11	A0670156	BEARING, TAPER ROLLER	#30205J	1	1	
12	A1400315	SPACER		1	1	
13	A0651353	SEAL, OIL	TC35x52x9	1	1	
14	S802025010	O-RING(G25)	D24.4x3.1	1	1	
15	A1400023	BUSHING, SEAL		1	1	
16	A1281034	NUT, LOCK		1	1	
17	S802065010	O-RING(G65)	D64.4x3.1	1	1	
18	A0678640	BUSHING, DU		1	1	
19	A1400271	BRACKET, F/AXLE REAR		1	1	
20	S804080010	O-RING	D79.5x2.0	2	2	
21	A1400294	CONNECTOR		2	2	
22	S802050010	O-RING(G55)	D49.4x3.1	5	5	
23	Q1550013	BOLT. HEX. W/WASHER	M10x1.25x40	10	10	
24	S361100013	WASHER, SPR. 1-TYPE	Φ18.4xΦ10.2x2.5t	2	2	
25	A1400318	BOLT, REAMER	M10x1.25x47	2	2	
26	3A1970051	PLUG, TAPER	PT3/8	1	1	
27	3A1400004	BREATHER, AIR		1	1	
28	A1400311	CASE, F/AXLE		1	1	
29	3A1970052	PLUG, TAPER		2	2	
30	A1400267	HOLDER, FRONT PIVOT		1	1	
31	S154103033	BOLT. HEX. W/WASHER	M10x1.25x30	12	12	
32	A0678330	BUSHING, DU		1	1	
33	A1400270	BRACKET, F/AXLE FRONT		1	1	

# FRONT AXLE CASE (400)

FIG.5-3



# FRONT AXLE CASE (400)

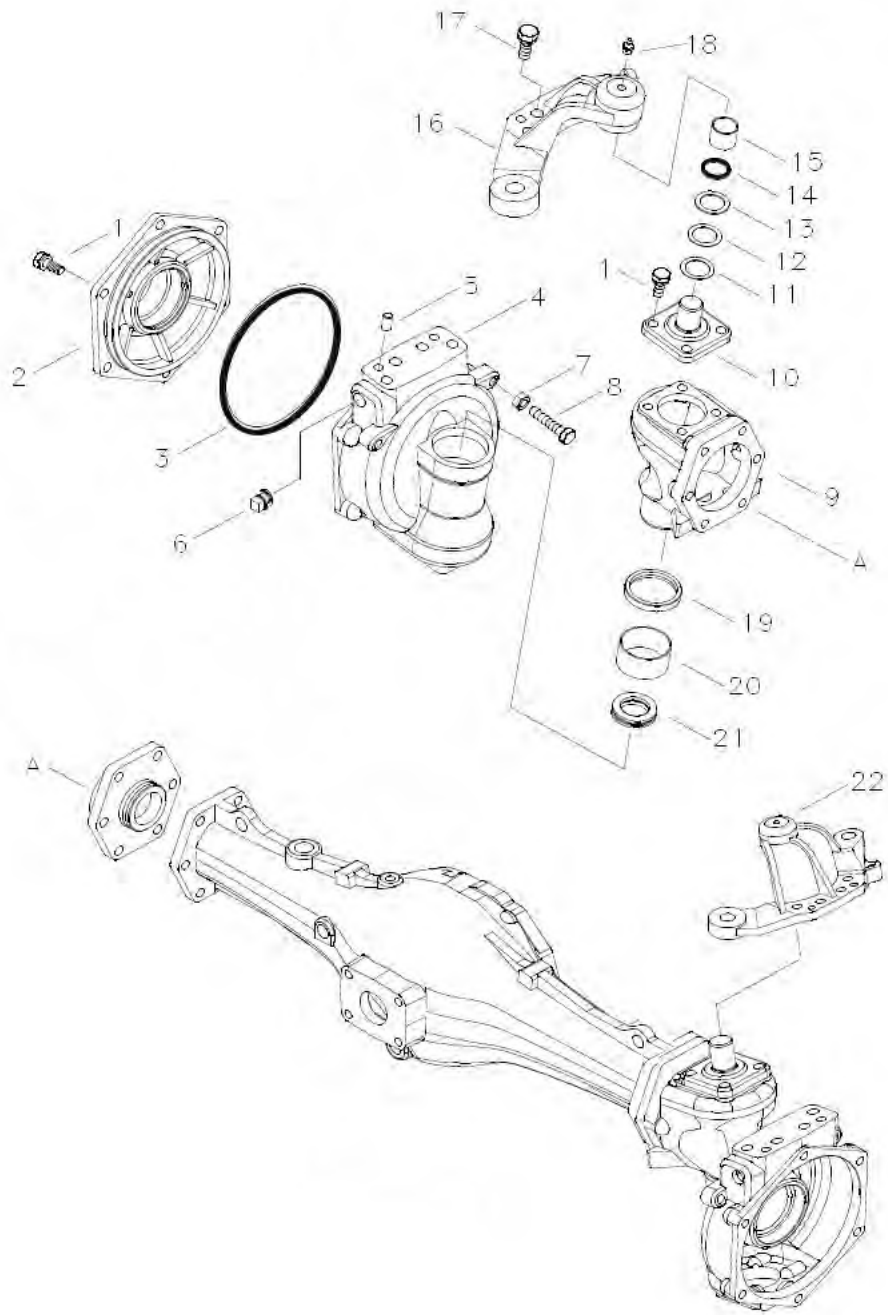
**FIG.5-3**

NO.	PART NO.	PART NAME & DESCRIPTION		QTY		REMARK
				S27	S32	
1	S154102533	BOLT, HEX. W/WASHER	M10x1.25x25	20	20	
2	A1400264	COVER, GEAR CASE		2	2	
3	S802165010	O-RING	D164.3x5.7	2	2	
4	A1400262	CASE, GEAR		2	2	
5	S423102010	PIN, PAR. A-TY. (h7)	Φ10x20	4	4	
6	3A1970052	PLUG, TAPER		2	2	
7	S302100043	NUT, HEX. 1-TY.	M10x1.25	2	2	
8	S165105043	BOLT, HEX. F-THRD	M10x1.25x50	2	2	
9	A1400335	CASE, KINGPIN		2	2	
10	A1400266	HOLDER, ARM		2	2	
11	A0870601	LINER		AR	AR	
12	A0870605	LINER		AR	AR	
13	A0870608	LINER		2	2	
14	S801025010	O-RING (P)	D24.7x3.5	2	2	
15	A0677825	BUSHING, DU		2	2	
16	A1400314	ARM, KNUCKLE(RH)		1	1	
17	S153123033	BOLT, HEX. W/WASHER	M12x1.75x30	8	8	
18	3A1970069	NIPPLE, GREASE		2	2	
19	A1405029	SEAL, OIL	TC40x60x12	2	2	
20	A0678330	BUSHING, DU		2	2	
21	A0670143	BEARING, THRUST	#51106	2	2	
22	A1400313	KNUCKLE ARM(LH)		1	1	



# FRONT AXLE CASE (400)

FIG.5-3



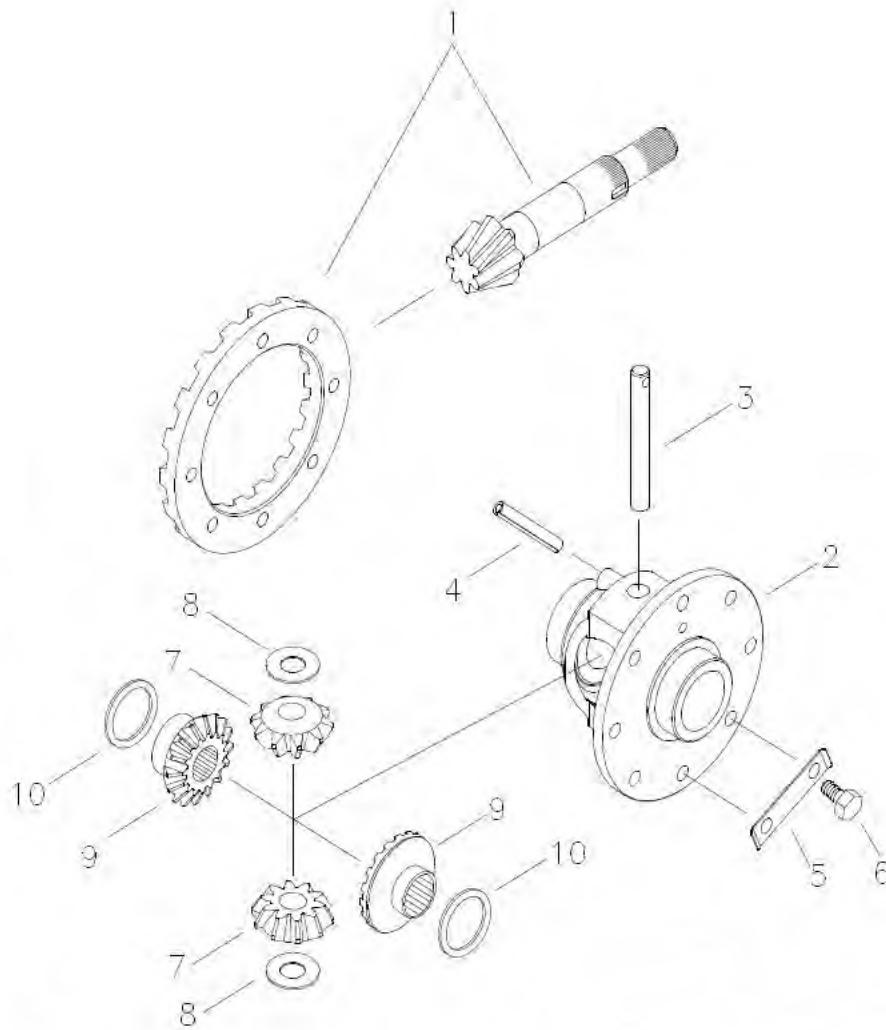
# FRONT AXLE CASE (400)

**FIG.5-3**

NO.	PART NO.	PART NAME & DESCRIPTION		QTY		REMARK
				S27	S32	
1	S154102533	BOLT, HEX. W/WASHER	M10x1.25x25	20	20	
2	A1400264	COVER, GEAR CASE		2	2	
3	S802165010	O-RING	D164.3x5.7	2	2	
4	A1400262	CASE, GEAR		2	2	
5	S423102010	PIN, PAR. A-TY. (h7)	Φ10x20	4	4	
6	3A1970052	PLUG, TAPER		2	2	
7	S302100043	NUT, HEX. 1-TY.	M10x1.25	2	2	
8	S165105043	BOLT, HEX. F-THRD	M10x1.25x50	2	2	
9	A1400263	CASE, KINGPIN		2	2	
10	A1400266	HOLDER, ARM		2	2	
11	A0870601	LINER		AR	AR	
12	A0870605	LINER		AR	AR	
13	A0870608	LINER		2	2	
14	S801025010	O-RING (P)	D24.7x3.5	2	2	
15	A0677825	BUSHING, DU		2	2	
16	A1400314	ARM, KNUCKLE(RH)		1	1	
17	S153123033	BOLT, HEX. W/WASHER	M12x1.75x30	8	8	
18	3A1970069	NIPPLE, GREASE		2	2	
19	A1405029	SEAL, OIL	TC40x60x12	2	2	
20	A0678330	BUSHING, DU		2	2	
21	A0670143	BEARING, THRUST	#51106	2	2	
22	A1400313	KNUCKLE ARM(LH)		1	1	

# FRONT DIFFERENTIAL (400)

FIG.5-4



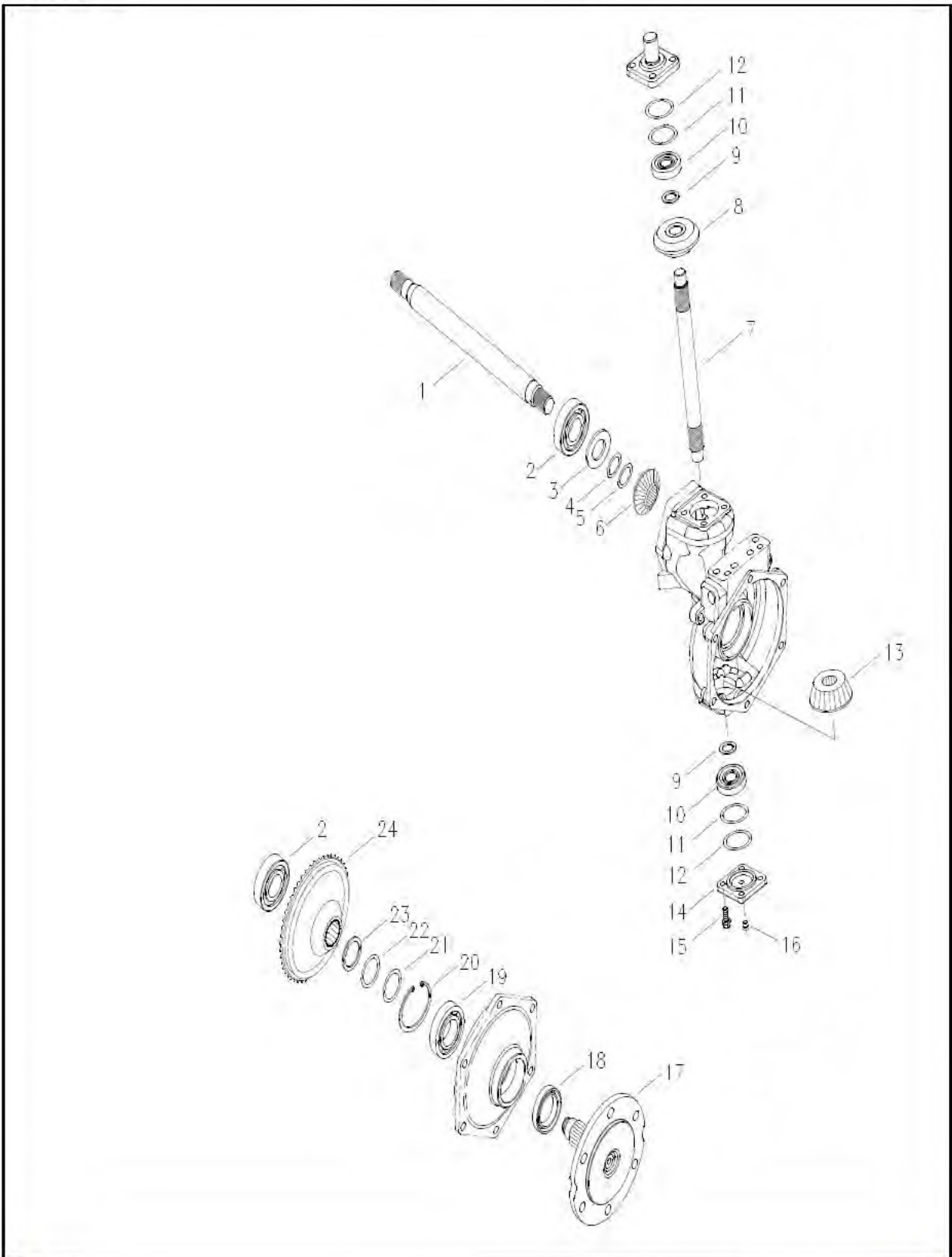
# FRONT DIFFERENTIAL (400)

**FIG.5-4**

NO.	PART NO.	PART NAME & DESCRIPTION		QTY		REMARK
				S27	S32	
1-10	A1410043	DIFF, ASSY F/AXLE		1	1	
1	A1410056	PINION & RING GEAR SET		1	1	
2	A1410060	CASE, DIFF		1	1	
3	A1410058	SHAFT, MATE GEAR		1	1	
4	S446065012	PIN, SPRING	Φ6.4x50	1	1	
5	A1410051	PLATE, LOCK		4	4	
6	S163081643	BOLT, HEX. F-THRD	M8x1.25x16	8	8	
7	A1410057	GEAR MATE(10T)		2	2	
8	A1410059	WASHER, THRUST#2	1.2t	2	2	
9	A1410048	GEAR DIFF SIDE(16T)		2	2	
10	A1410052	WASHER, THRUST#1	1.2t	2	2	

# FRONT DRIVE (400)

FIG.5-5



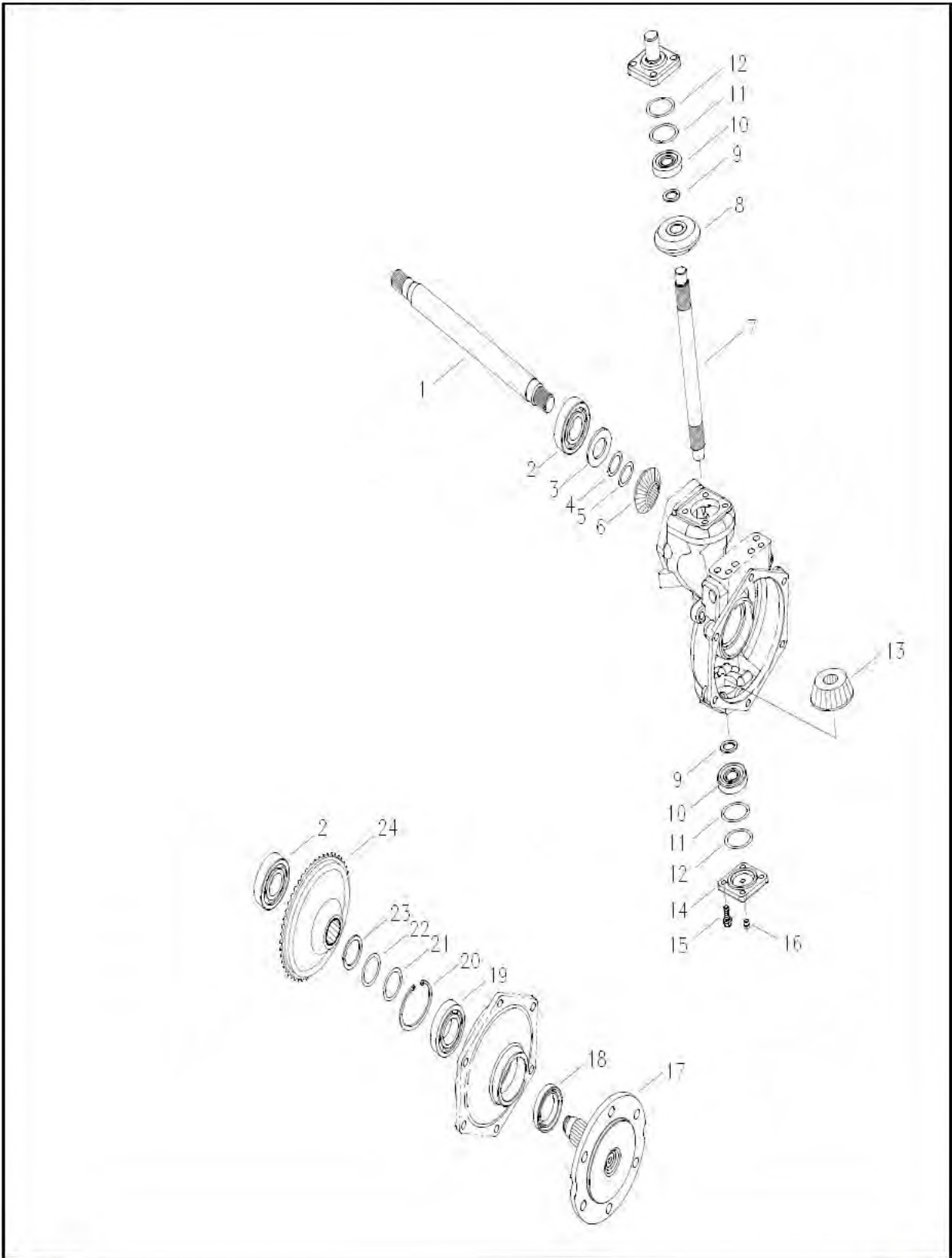
# FRONT DRIVE (400)

**FIG.5-5**

NO.	PART NO.	PART NAME & DESCRIPTION		QTY		REMARK
				S27	S32	
1	A1400272	SHAFT, F/DIFF		2	2	
2	A0863060H1	BEARING, BALL	#6306HL	4	4	
3	A1281472	SPACER		2	2	
4	A0870601	LINER		AR	AR	
5	A0870605	LINER		AR	AR	
6	A1400275	BEVEL GEAR(13T)		2	2	
7	A1400273	SHAFT, KINGPIN		2	2	
8	A1400276	BEVEL GEAR(16T)		2	2	
9	A1400308	SPACER		4	4	
10	A1400309	BEARING, TAPER ROLLER	#30304J	4	4	
11	A0870461	LINER		AR	AR	
12	A0870465	LINER		AR	AR	
13	A1400277	BEVEL GEAR(13T)		2	2	
14	A1400265	COVER, KINGPIN		2	2	
15	S153082033	BOLT, HEX W/WASHER	M8x1.25x20	8	8	
16	3A1970052	PLUG, TAPER	PT3/8	2	2	
17	A1400274	SHAFT, F/AXLE		2	2	
18	A1287211	SEAL, OIL		2	2	
19	A0862070	BEARING, BALL	#6207	2	2	
20	S811072001	RING, SNAP	Φ76.5	2	2	
21	A0870451	LINER		AR	AR	
22	A0870455	LINER		AR	AR	
23	S812035001	RING, SNAP	Φ32.5	2	2	
24	A1400278	BEVEL GEAR(35T)		2	2	

# FRONT DRIVE (400)

FIG.5-5



# FRONT DRIVE (400)

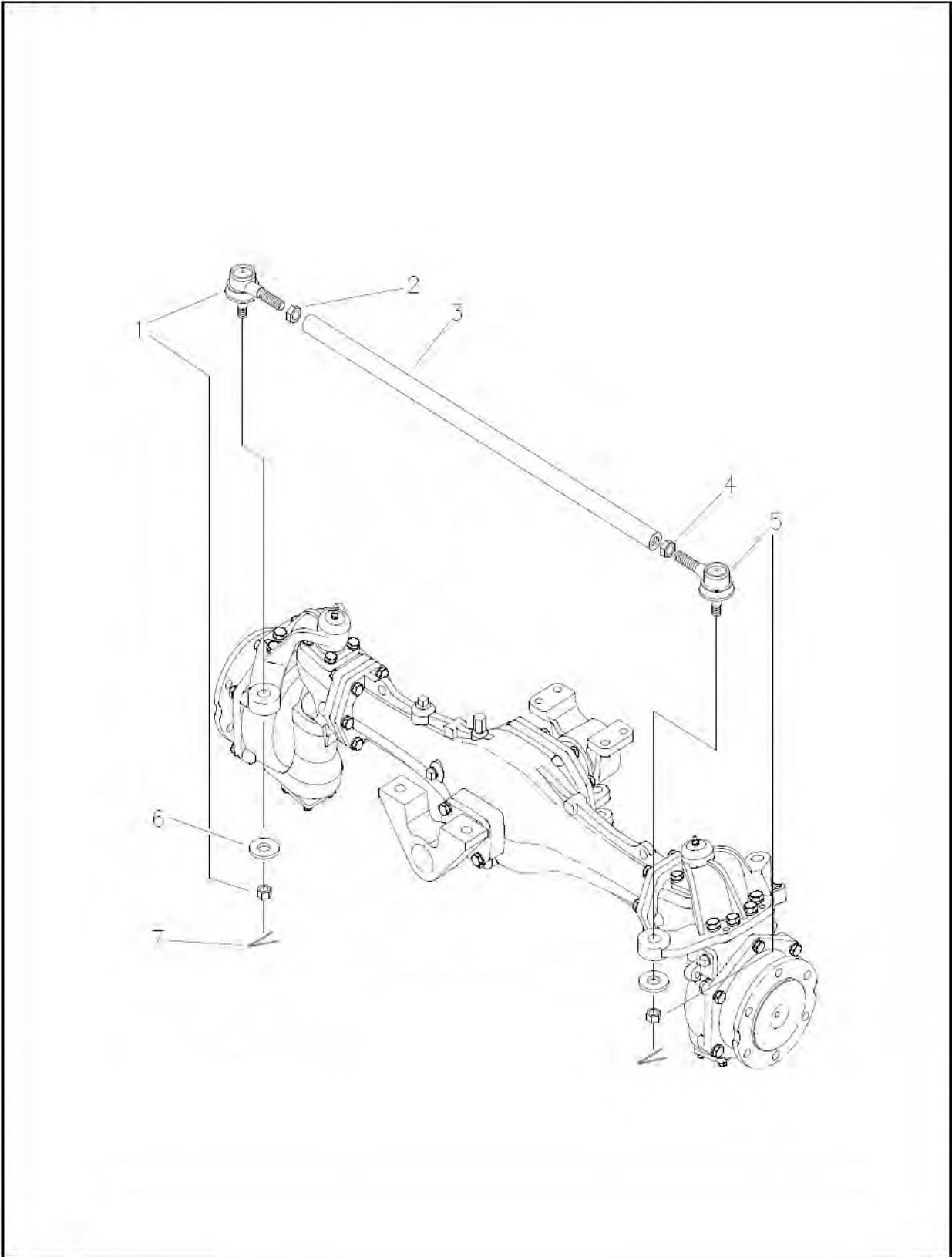
**FIG.5-5**

NO.	PART NO.	PART NAME & DESCRIPTION		QTY		REMARK
				S27	S32	
1	A1400272	SHAFT, F/DIFF		2	2	
2	A0863060H1	BEARING, BALL	#6306HL	4	4	
3	A12871472	WASHER, THRUST		2	2	
4	A0870601	LINER		AR	AR	
5	A0870605	LINER		AR	AR	
6	A1400275	BEVEL GEAR(13T)		2	2	
7	A1400273	SHAFT, KINGPIN		2	2	
8	A1400276	BEVEL GEAR(16T)		2	2	
9	A1400308	SPACER		4	4	
10	A1400309	BEARING, TAPER ROLLER	#30304J	4	4	
11	A0870461	LINER		AR	AR	
12	A0870465	LINER		AR	AR	
13	A1400277	BEVEL GEAR(13T)		2	2	
14	A1400265	COVER, KINGPIN		2	2	
15	S153082033	BOLT, HEX W/WASHER	M8x1.25x20	8	8	
16	3A1970052	PLUG, TAPER	PT3/8	2	2	
17	A1400274	SHAFT, F/AXLE		2	2	
18	A1287211	SEAL, OIL		2	2	
19	A0862070	BEARING, BALL	#6207	2	2	
20	S811072001	RING, SNAP	Φ76.5	2	2	
21	A0870451	LINER		AR	AR	
22	A0870455	LINER		AR	AR	
23	S812035001	RING, SNAP	Φ32.5	2	2	
24	A1400278	BEVEL GEAR(35T)		2	2	



# TIE ROD (610)

FIG.6-1



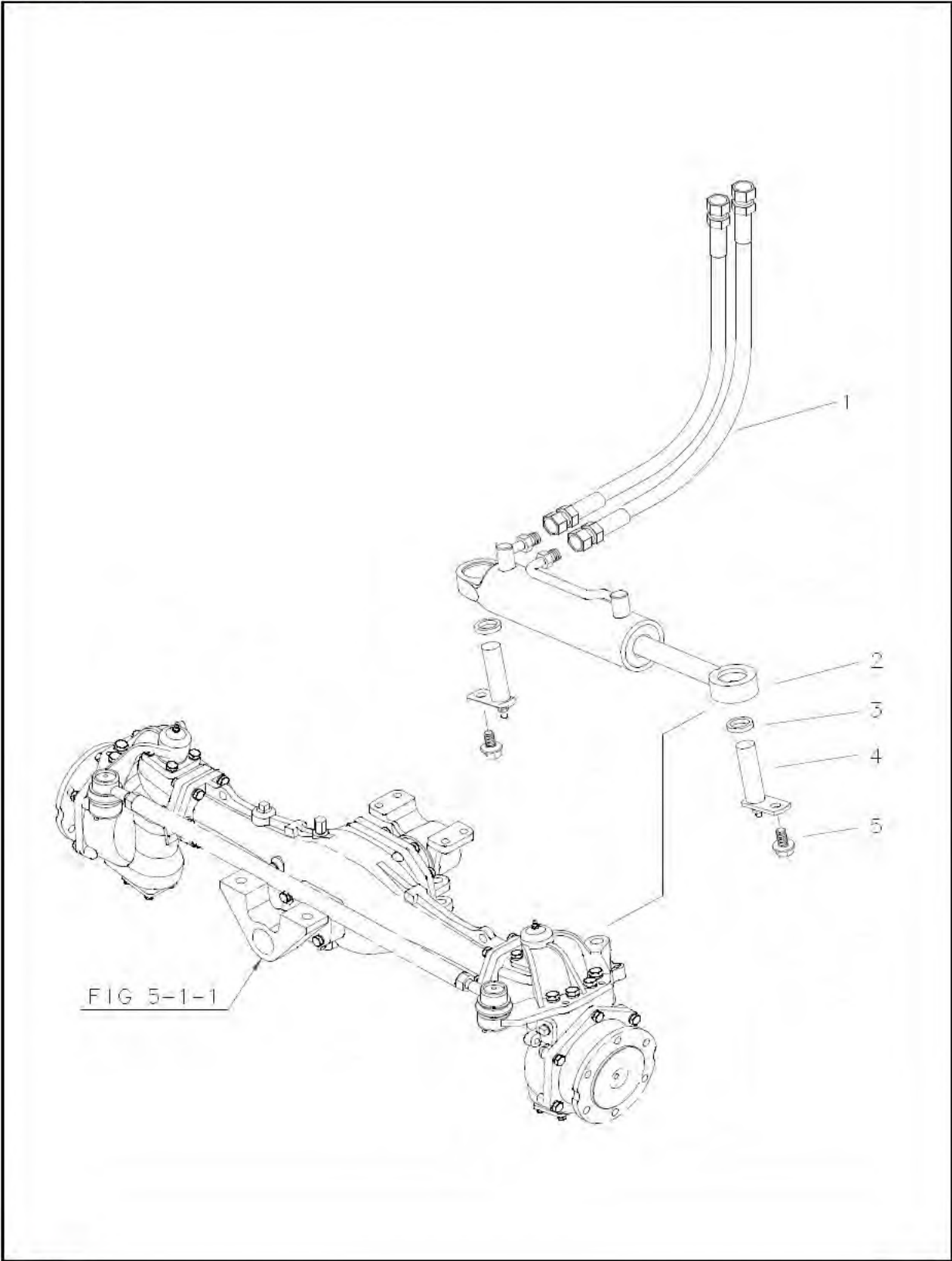
# TIE ROD (610)

**FIG.6-1**

NO.	PART NO.	PART NAME & DESCRIPTION		QTY		REMARK
				S27	S32	
1~5	A1610045	TIE ROD ASSY	888L	1	1	
1	A1610035	END ASSY, LH		1	1	
2	A1610016	NUT, HEX. LH	M18×1.5(L)	1	1	
3	A1610046	PIPE, TIE ROD		1	1	
4	S306180043	NUT, HEX. RH	M18×1.5	1	1	
5	A1610036	END ASSY, RH		1	1	
6	S365164013	WASHER, PLN.	3t	2	2	
7	S441403613	PIN, SPLIT	Φ4×36	2	2	

# STEERING CYLINDER (630)

FIG.6-2



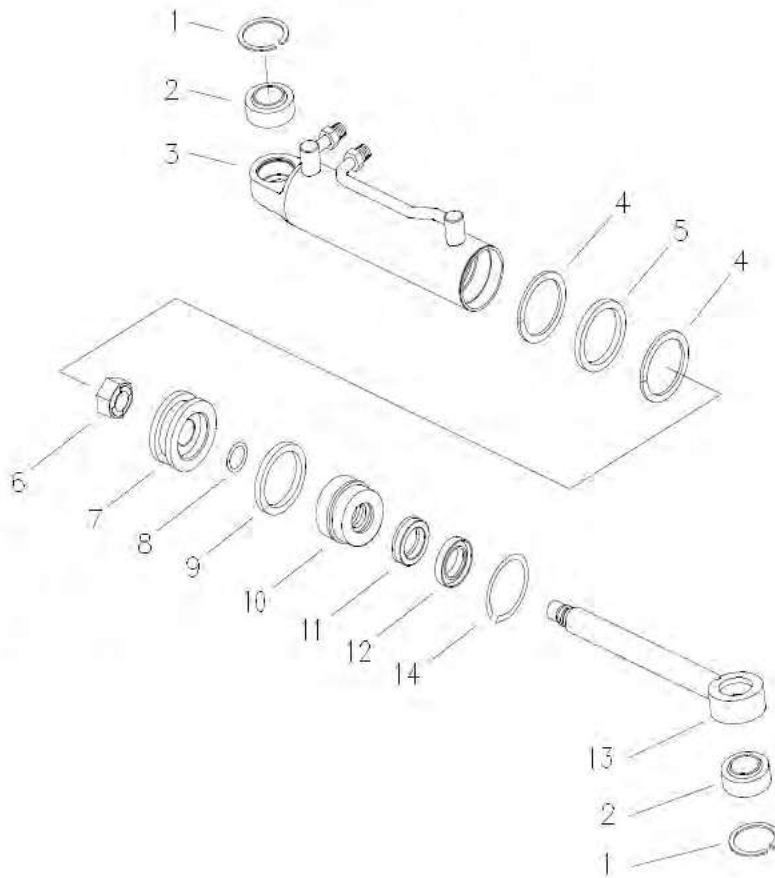
# STEERING CYLINDER (630)

**FIG.6-2**

NO.	PART NO.	PART NAME & DESCRIPTION		QTY		REMARK
				S27	S32	
1	A1630245	HOSE, P/STEERING	410L	2	2	
2	A1630473	STEERING CYLINDER	293~446L	1	1	
3	A1630135	SPACER, CYLINDER PIN	φ20×5t	2	2	
4	A1630327	PIN ASSY, CYLINDER		2	2	
5	S154102033	BOLT, HEX. W/WASHER	M10×1.25×20	2	2	

# STEERING CYLINDER (630)

FIG.6-3



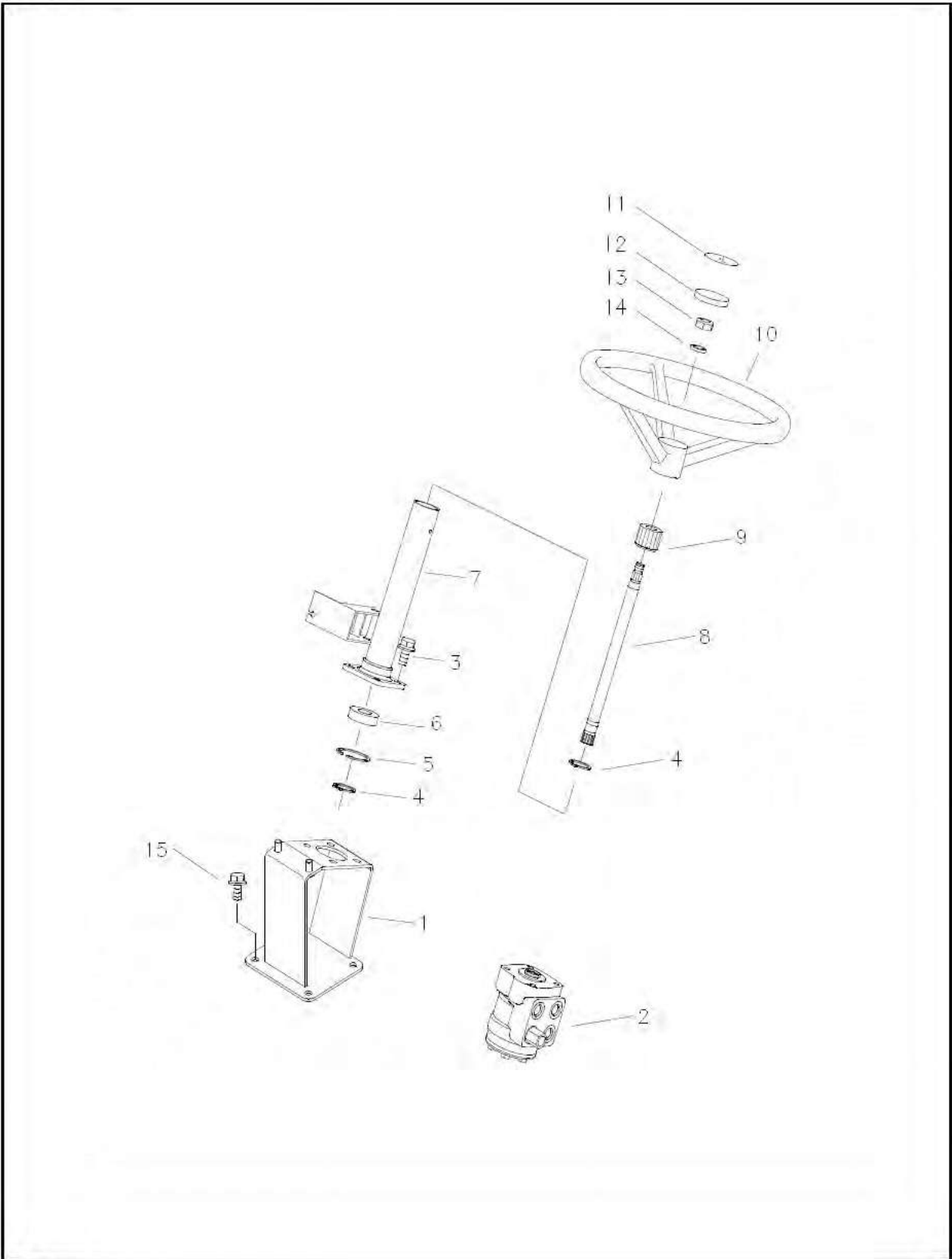
# STEERING CYLINDER (630)

**FIG.6-3**

NO.	PART NO.	PART NAME & DESCRIPTION		QTY		REMARK
				S27	S32	
1~14	A1630473	STEERING CYLINDER	293~446L	1	1	
1	S813035001	RING, SNAP	φ35	2	2	
2	A1630159	BUSHING, BALL		2	2	
3	A1630474	CYLINDER ASSY		1	1	
4	A1630480	RING, BACK UP	φ45	2	2	
5	S801039010	O-RING	D38.7×3.5	1	1	
6	A1630479	NUT, LOCK	M12×1.25	1	1	
7	A1630476	PISTON, STR. CYLINDER		1	1	
8	S801014010	O-RING (P)	D13.8×2.4	1	1	
9	S801040010	O-RING	D39.7×3.5	1	1	
10	A1630477	SLEEVE, STR. CYLINDER		1	1	
11	A1630481	U-PACKING	φ18	1	1	
12	A1630482	SEAL, DUST	φ18	1	1	
13	A1630475	ROD, STR. CYLINDER	φ18	1	1	
14	A1630478	RING, WIRE	φ2	1	1	

# STEERING COLUMN (630)

FIG.6-4



# STEERING COLUMN (630)

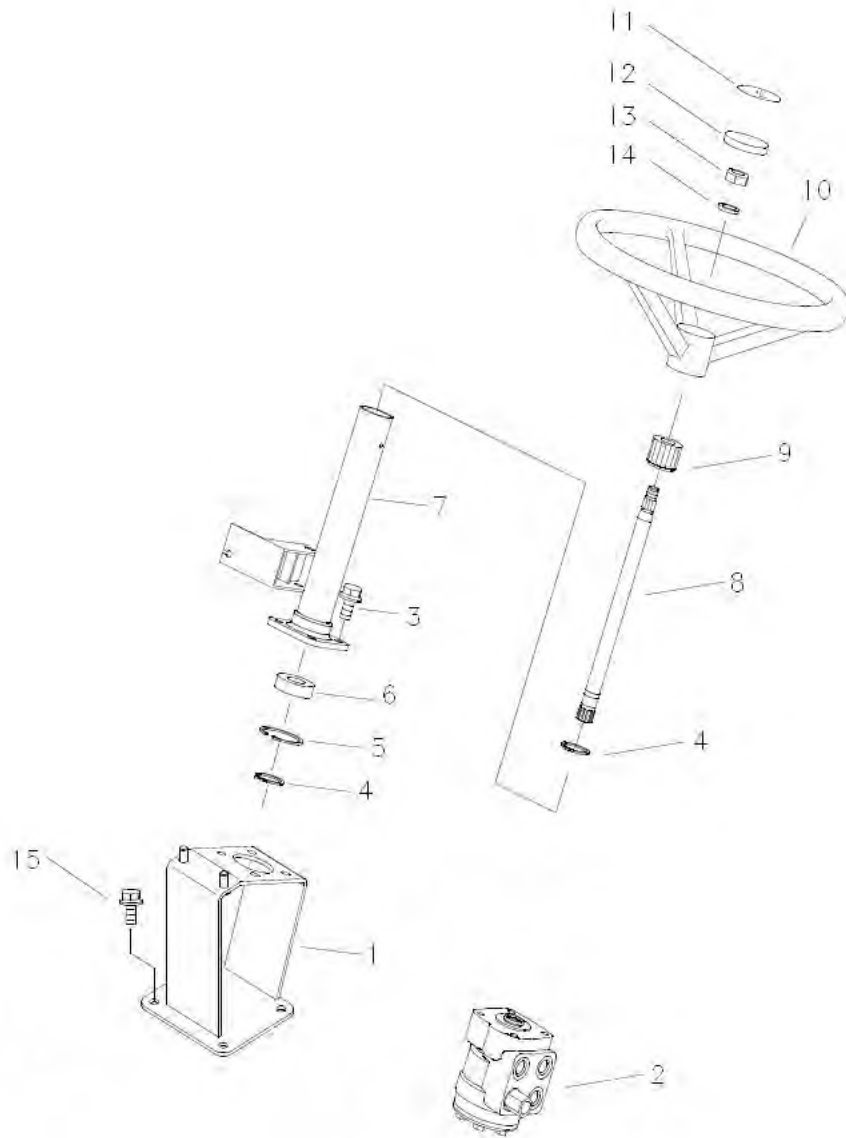
**FIG.6-4**

NO.	PART NO.	PART NAME & DESCRIPTION		QTY		REMARK
				S27	S32	
1	A1630484	SUPPORT, STEERING		1	1	
2	A1630626	STEERING UNIT	62cc/rev	1	1	
3	S154102533	BOLT, HEX. W/WASHER	M10×1.25×25	4	4	
4~9	A1630230	STR. COLUMN ASSY		1	1	
4	S810020001	RING, SNAP	φ20	2	2	
5	S811042001	RING, SNAP	φ42	1	1	
6	A1970233	BEARING	6004DD	1	1	
7	A1630231	COLUMN, STEERING		1	1	
8	A1630232	SHAFT, STEERING	φ20	1	1	
9	A1630153	SEAL, STEERING		1	1	
10~12	A5002130	STR. WHEEL ASSY		1	1	
10	A5001458	WHEEL, STEERING		1	1	
11	A1981077	DECAL, HANDLE CAPS LS		1	1	
12	A5000583	CAP, WHEEL		1	1	
13	S314140013	NUT, HEX	M14×1.5	1	1	
14	S361140013	WASHER, SPRING	φ14.2×3.5	1	1	
15	S154102033	BOLT, HEX. W/WASHER	M10×1.25×20	4	4	



# STEERING COLUMN (630)

FIG.6-4



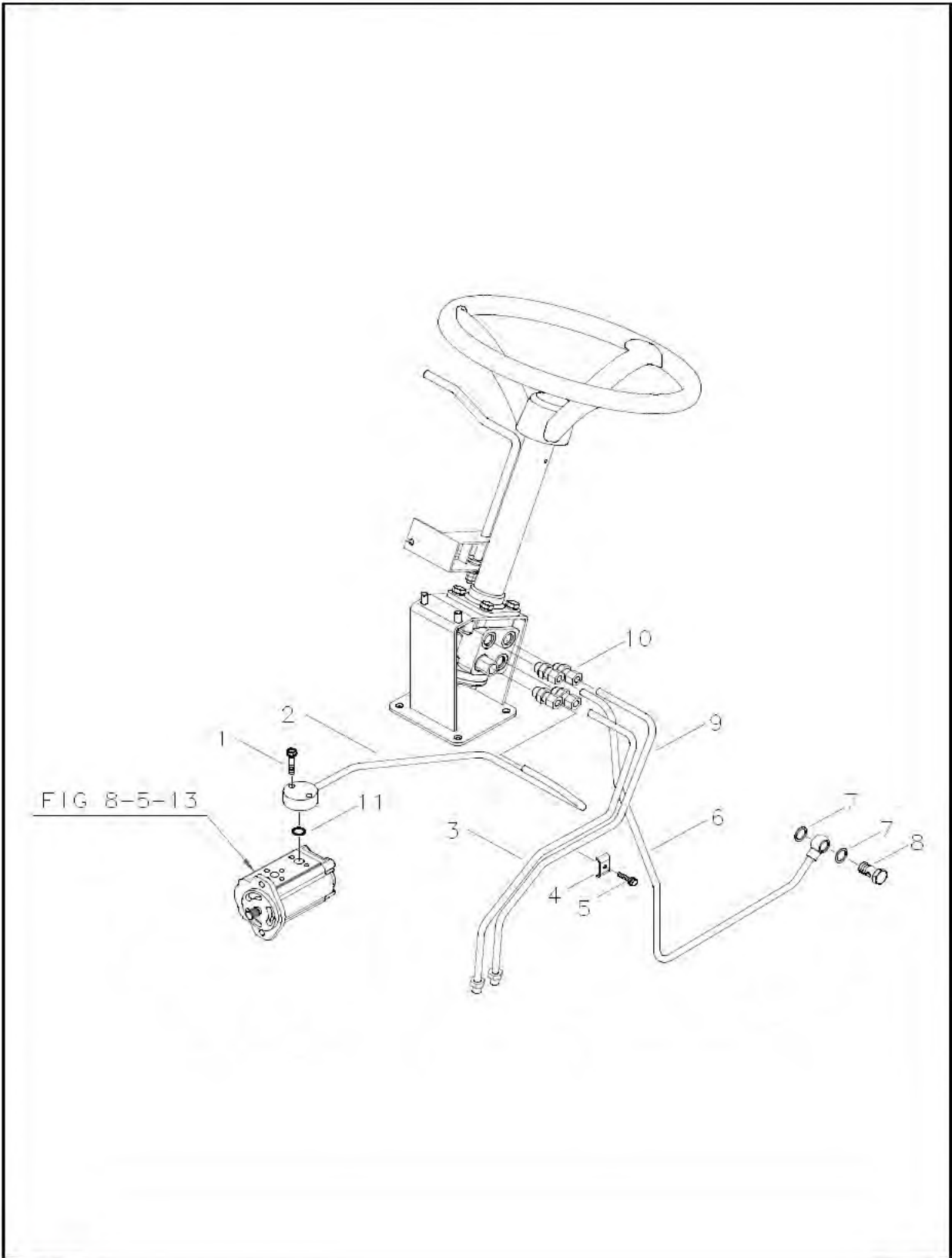
# STEERING COLUMN (630)

**FIG.6-4**

NO.	PART NO.	PART NAME & DESCRIPTION		QTY		REMARK
				S27	S32	
1	A1630484	SUPPORT, STEERING		1	1	
2	A1630483	STEERING UNIT	62cc/rev	1	1	
3	S154102533	BOLT, HEX. W/WASHER	M10×1.25×25	4	4	
4~9	A1630230	STR. COLUMN ASSY		1	1	
4	S810020001	RING, SNAP	φ20	2	2	
5	S811042001	RING, SNAP	φ42	1	1	
6	A1970233	BEARING	6004DD	1	1	
7	A1630231	COLUMN, STEERING		1	1	
8	A1630232	SHAFT, STEERING	φ20	1	1	
9	A1630153	SEAL, STEERING		1	1	
10~12	A5002130	STR. WHEEL ASSY		1	1	
10	A5001458	WHEEL, STEERING		1	1	
11	A1980437	DECAL, LG MARK		1	1	
12	A5000583	CAP, WHEEL		1	1	
13	S314140013	NUT, HEX	M14×1.5	1	1	
14	S361140013	WASHER, SPRING	φ14.2×3.5	1	1	
15	S154102033	BOLT, HEX. W/WASHER	M10×1.25×20	4	4	

# STEERING PIPE LINE (630)

FIG.6-5



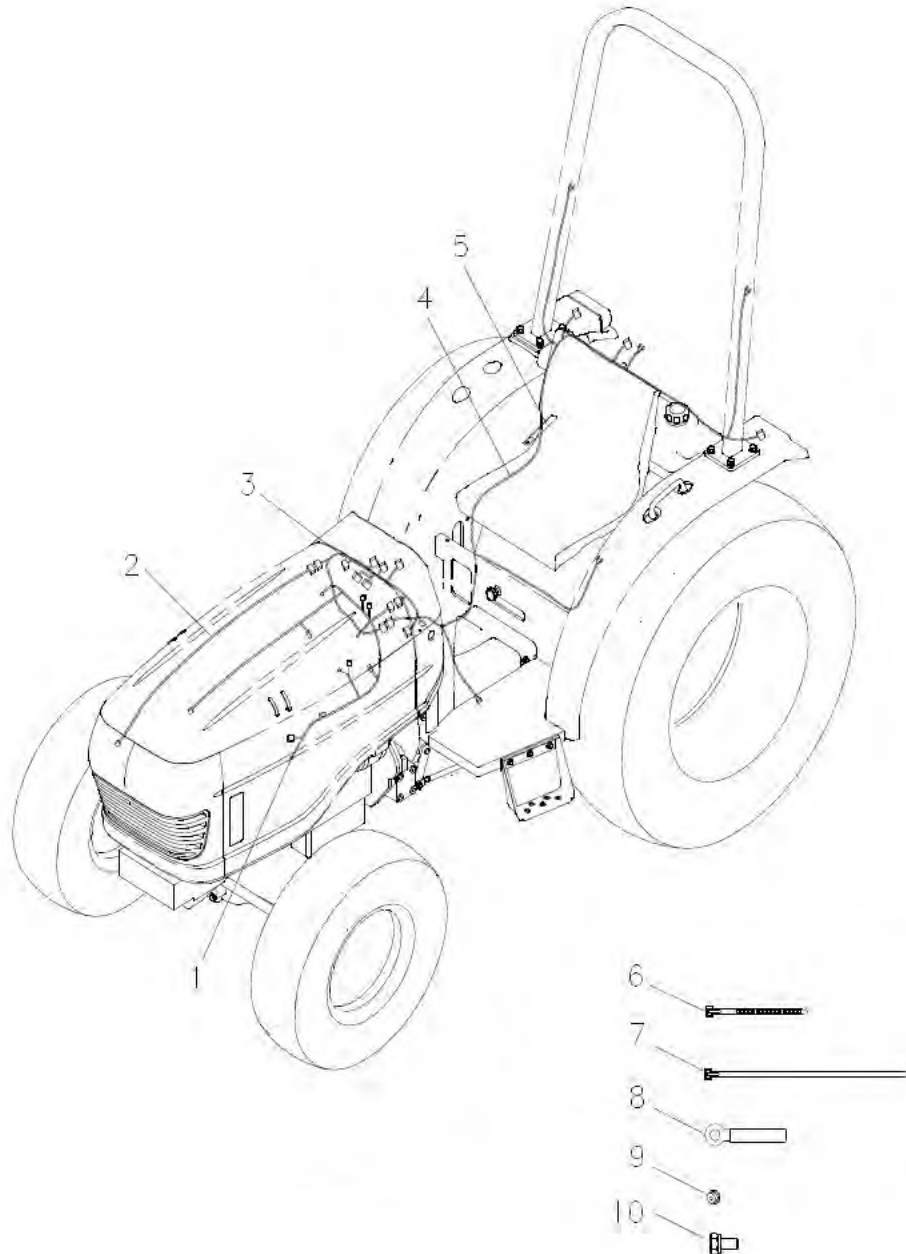
# STEERING PIPE LINE (630)

**FIG.6-5**

NO.	PART NO.	PART NAME & DESCRIPTION		QTY		REMARK
				S27	S32	
1	S153083533	BOLT, HEX	M8×1.25×35	2	2	
2,10	A1630486	STR. PRESSURE ASSY		1	1	
2	A1630500	PIPE, P/S PRESSURE		1	1	
3,10	A1630489	STR. PIPE ASSY RH		1	1	
3	A1630502	PIPE, P/S RH		1	1	
4	A1630492	CLAMP, HYD PIPE		1	1	
5	S155063033	BOLT, HEX W/WASHER	M6×1.0×30	1	1	
6,10	A1630487	STR. DRAIN PIPE ASSY		1	1	
6	A1630503	PIPE, STR. DRAIN		1	1	
7	A1823245	SEAL, BONDED	φ24×φ16.8×1.5t	2	2	
8	A1630201	BOLT, UNION	PF 3/8	1	1	
9,10	A1630488	STR. PIPE ASSY LH		1	1	
9	A1630501	PIPE, P/S LH		1	1	
10	A1630485	JOINT	10-03G	4	4	
11	S801018010	O-RING	D17.8×2.4			

# ELECTRICAL WIRING (730)

FIG.7-1



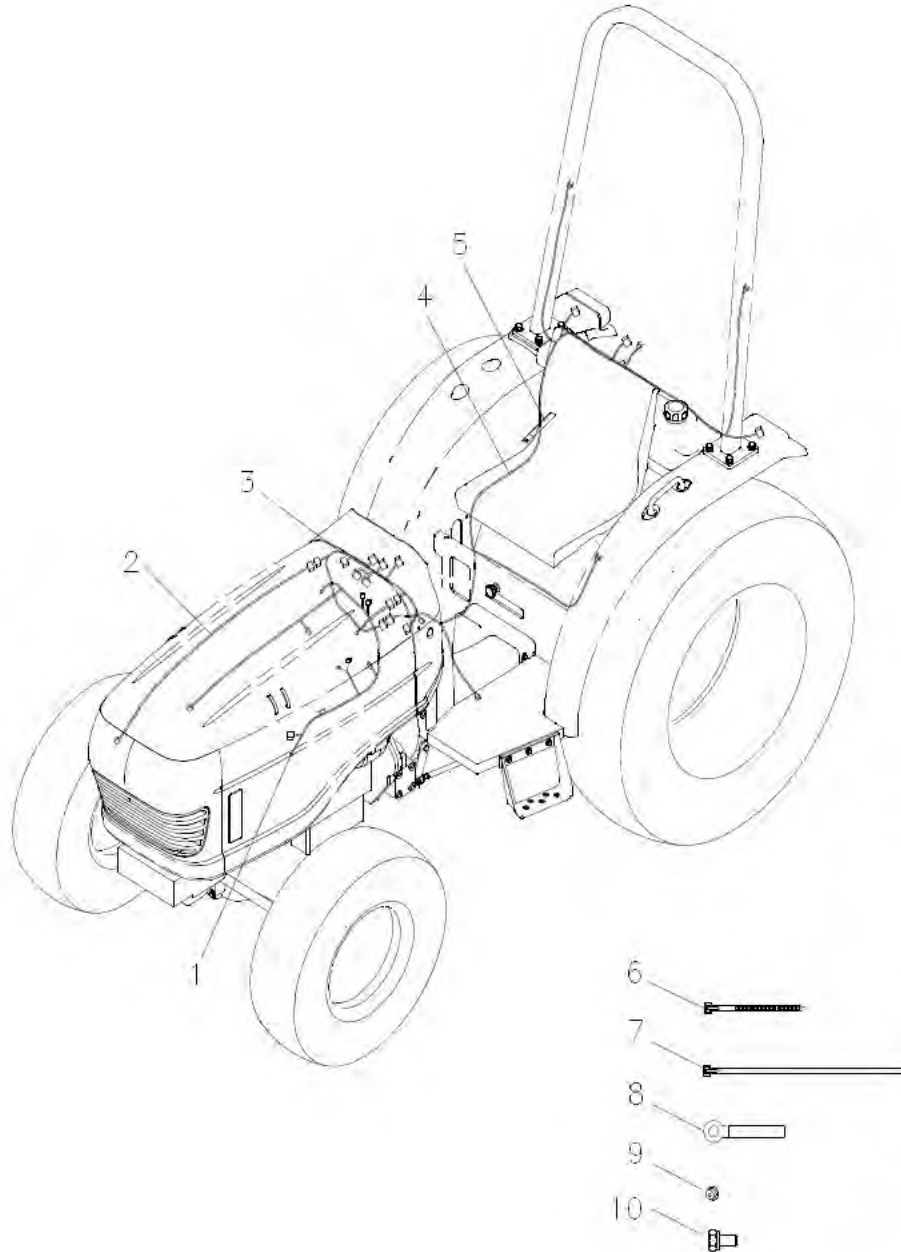
# ELECTRICAL WIRING (730)

**FIG.7-1**

NO.	PART NO.	PART NAME & DESCRIPTION	QTY		REMARK
			S27	S32	
1	A1730204	HARNESS, ENGINE	1	1	
2	A1730062	HARNESS, FRONT LIGHT	1	1	
3	A1730203	HARNESS, PANEL	1	1	
4	A1730252	HARNESS, MIDDLE	1	1	
5	A0640103	CLAMP	3	3	
6	A0640028	BAND, WIRE	5	5	
7	A0640009	BAND, WIRE	5	5	
8	A0640015	CLAMP	3	3	
9	S345050013	NUT, FLANGE B-TY	1	1	M5×1.0
10	S154102033	BOLT, HEX. W/WASHER	1	1	M10×1.25x20

# ELECTRICAL WIRING (730)

FIG.7-1B



# ELECTRICAL WIRING (730)

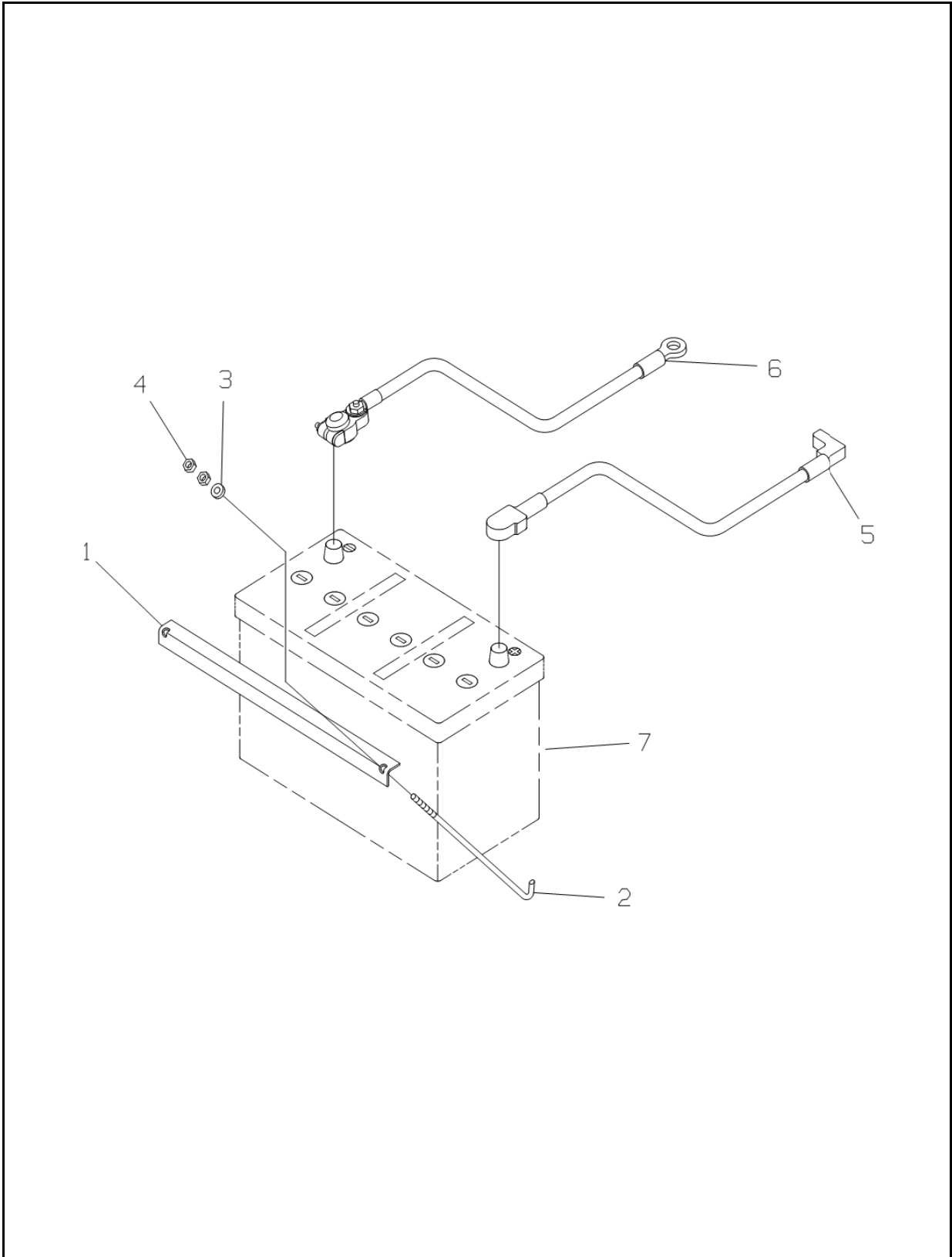
**FIG.7-1B**

NO.	PART NO.	PART NAME & DESCRIPTION	QTY		REMARK
			S27	S32	
1	A1730204	HARNESS, ENGINE	1	1	
2	A1730062	HARNESS, FRONT LIGHT	1	1	
3	A1730203	HARNESS, PANEL	1	1	
4	A1730252	HARNESS, MIDDLE	1	1	
5	A0640103	CLAMP	3	3	
6	A0640028	BAND, WIRE	5	5	
7	A0640009	BAND, WIRE	5	5	
8	A0640015	CLAMP	3	3	
9	S345050013	NUT, FLANGE B-TY	1	1	M5×1.0
10	S154102033	BOLT, HEX. W/WASHER	1	1	M10×1.25x20



# BATTERY (740)

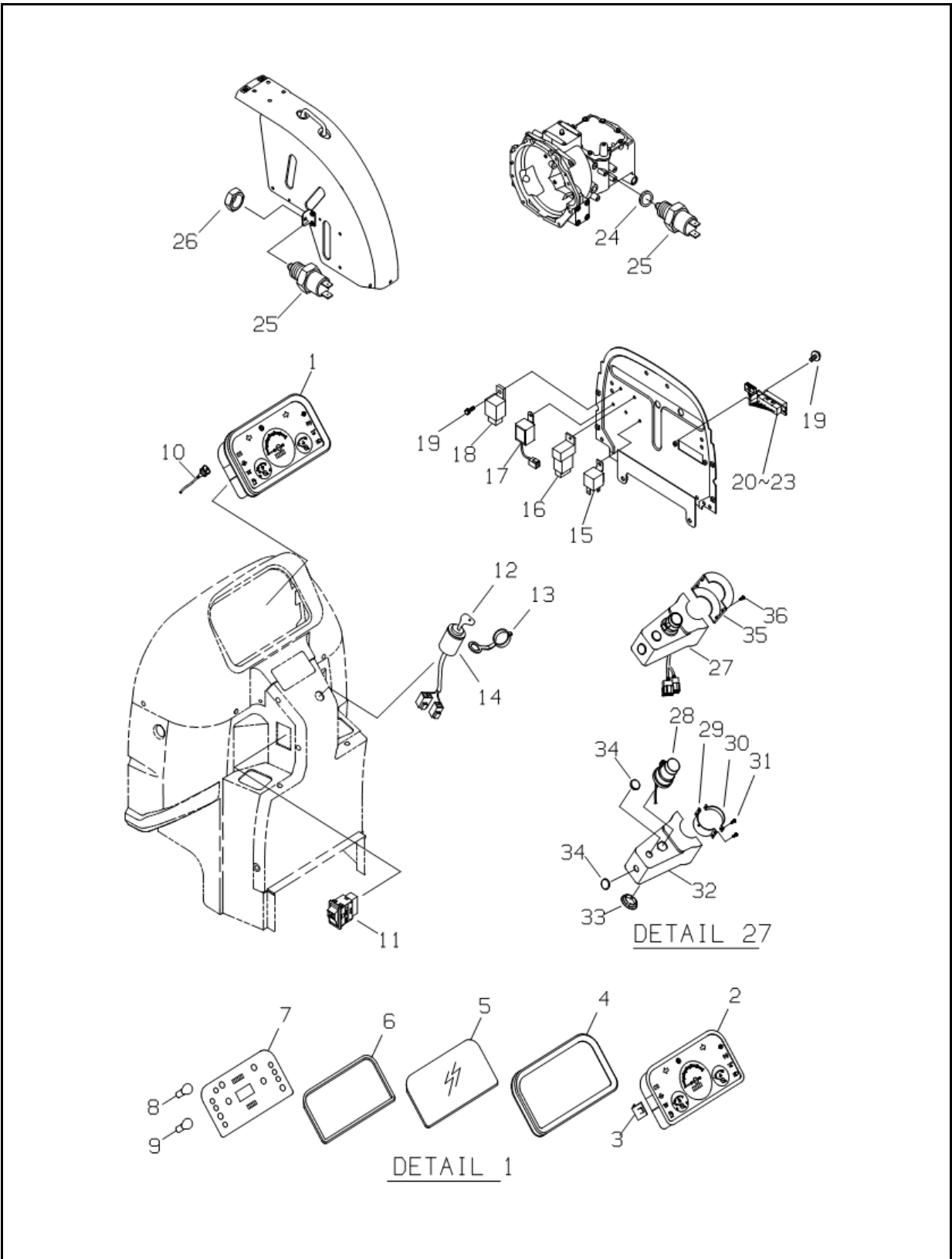
FIG.7-2





# INSTRUMENT PANEL (750)

FIG.7-3A



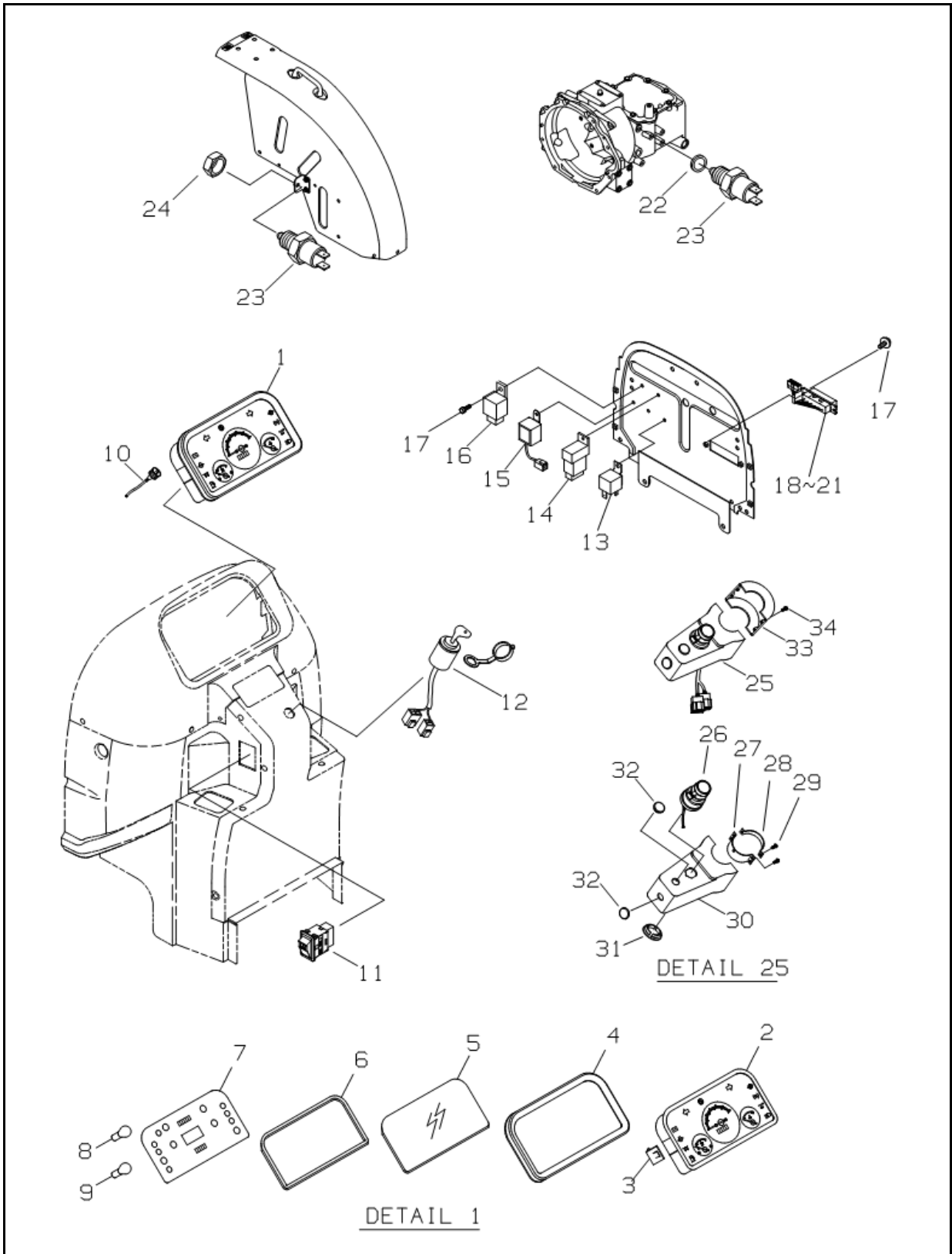
# INSTRUMENT PANEL (750)

**FIG.7-3A**

NO.	PART NO.	PART NAME & DESCRIPTION	QTY		REMARK
			S27	S32	
1	A1750239	INSTRUMENT PANEL ASSY	1	1	
2	A1750240	METER PANEL ASSY	1	1	
3	A1750139	BRACKET, PANEL	2	2	
4	A1750127	HOOD, PANEL	1	1	
5	A1750128	WINDOW GLASS, PANEL	1	1	
6	A1750137	PACKING, PANEL	1	1	
7	A1750143	PCB, MAIN	1	1	
8	A1750140	BULB	12V, 1.4W	6	6
9	A1750141	BULB	12V, 3.4W	6	6
10	A1750222	CABLE, TACHOMETER	1	1	
11	A1750161	SWITCH, EMERGENCY	1	1	
12~14	A1750254	KEY SWITCH ASSY	1	1	
12	A1750290	KEY, START	1	1	
13	A5001135	CAP, KEY	1	1	
14	A1750307	KEY, START	1	1	
15	Q1800023	RELAY, GLOW	1	1	
16	A30G0005	FLASHER	1	1	
17	A1750243	TIMER, ENGINE STOP	1	1	T4340-60242
18	Q1800018	RELAY, START	1	1	
19	S159061633	BOLT, HEX W/WASHER	M6X1.0X16	5	5
20	A1750225	FUSE BOX ASY	1	1	
21	A0751005	FUSE	10A	6	6
22	A0751006	FUSE	15A	2	2
23	A0751007	FUSE	20A	3	3
24	A1970379	SEAL, PLUG	1	1	
25	A1750256	SWITCH, SAFETY	2	2	
26	S316140013	NUT, HEX.3-T	M14x1.5	1	1
27	A1750269	STR. COLUMN S/W ASSY	1	1	
28	A1750323	SWITCH, COMBI	1	1	
29	A1750181	CLAMP A	1	1	
30	A1750182	CLAMP B	1	1	
31	S226401211	SCREW	M4X0.7X12	4	4
32	A1750178	COVER, COMBI. S/W	1	1	
33	A1750187	CAP, RUBBER	1	1	
34	A1750230	CAP, RUBBER	2	2	
35	A1750153	COVER, COMB. SWITCH	1	1	
36	S224402511	SCREW	M4X0.7X25	2	2

# INSTRUMENT PANEL (750)

FIG.7-3A



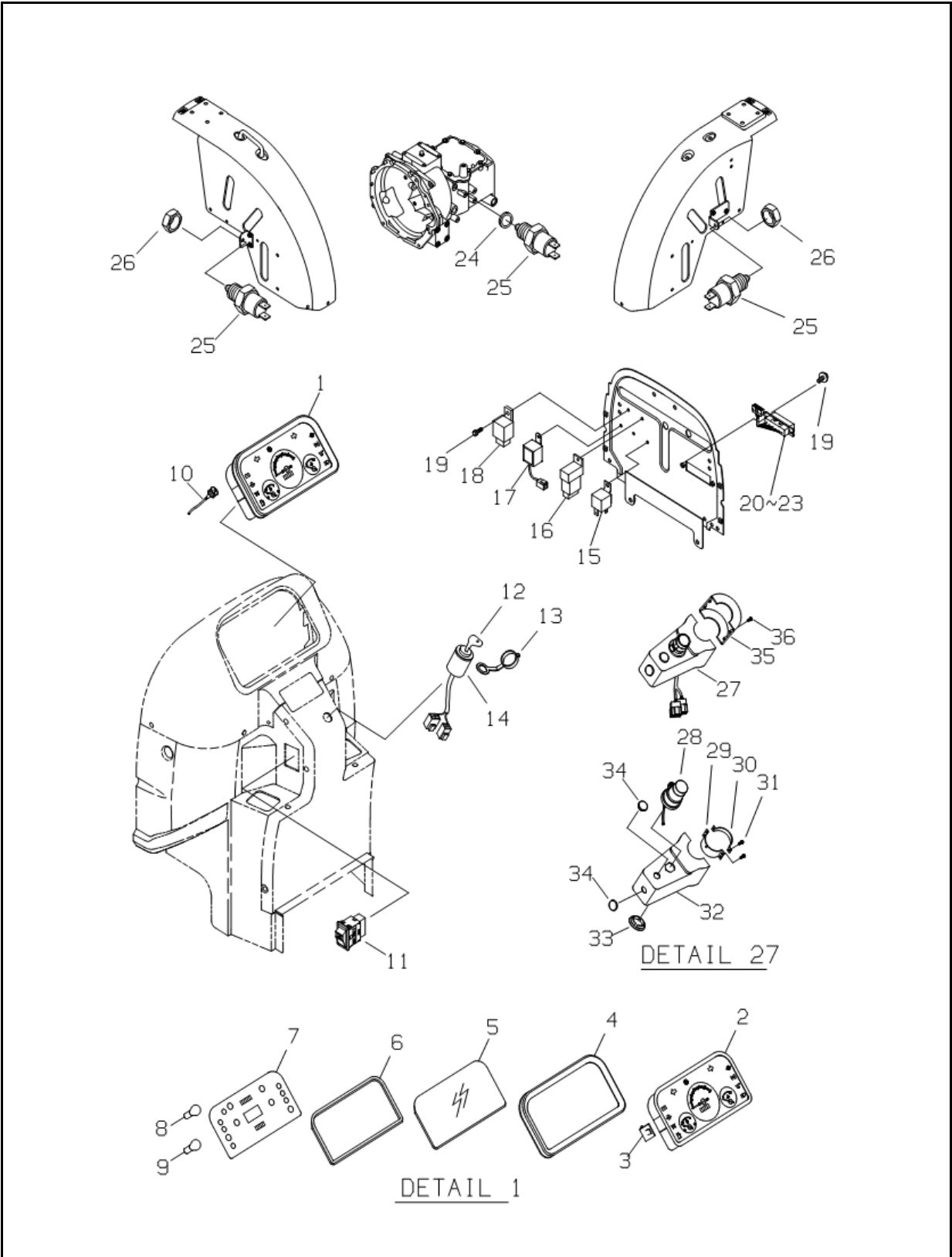
# INSTRUMENT PANEL (750)

**FIG.7-3A**

NO.	PART NO.	PART NAME & DESCRIPTION	QTY		REMARK
			S27	S32	
1	A1750239	INSTRUMENT PANEL ASSY	1	1	
2	A1750240	METER PANEL ASSY	1	1	
3	A1750139	BRACKET, PANEL	2	2	
4	A1750127	HOOD, PANEL	1	1	
5	A1750128	WINDOW GLASS, PANEL	1	1	
6	A1750137	PACKING, PANEL	1	1	
7	A1750193	PCB, PANEL	1	1	
8	A1750140	BULB	12V, 1.4W	6	6
9	A1750141	BULB	12V, 3.4W	6	6
10	A1750222	CABLE, TACHOMETER	1	1	
11	A1750161	SWITCH, EMERGENCY	1	1	
12	A1750254	KEY SWITCH ASSY	1	1	
13	Q1800023	RELAY, GLOW	1	1	
14	A30G0005	FLASHER	1	1	
15	A1750243	TIMER, ENGINE STOP	1	1	T4340-60242
16	Q1800018	RELAY, START	1	1	
17	S159061633	BOLT, HEX W/WASHER	M6X1.0X16	5	5
18	A1750225	FUSE BOX ASY		1	1
19	A0751005	FUSE	10A	6	6
20	A0751006	FUSE	15A	2	2
21	A0751007	FUSE	20A	3	3
22	A1970379	SEAL, PLUG		1	1
23	A1750256	SWITCH, SAFETY		2	2
24	S316140013	NUT, HEX.3-T	M14x1.5		
25	A1750269	STR. COLUMN S/W ASSY		1	1
26	A1750180	SWITCH, COMBI		1	1
27	A1750181	CLAMP A		1	1
28	A1750182	CLAMP B		1	1
29	S226401211	SCREW	M4X0.7X12	4	4
30	A1750178	COVER, COMBI. S/W		1	1
31	A1750187	CAP, RUBBER		1	1
32	A1750230	CAP, RUBBER		2	2
33	S224402511	SCREW	M4X0.7X25	2	2
34	A1750153	COVER, COMB. SWITCH		1	1

# INSTRUMENT PANEL (750)

FIG.7-3B



# INSTRUMENT PANEL (750)

**FIG.7-3B**

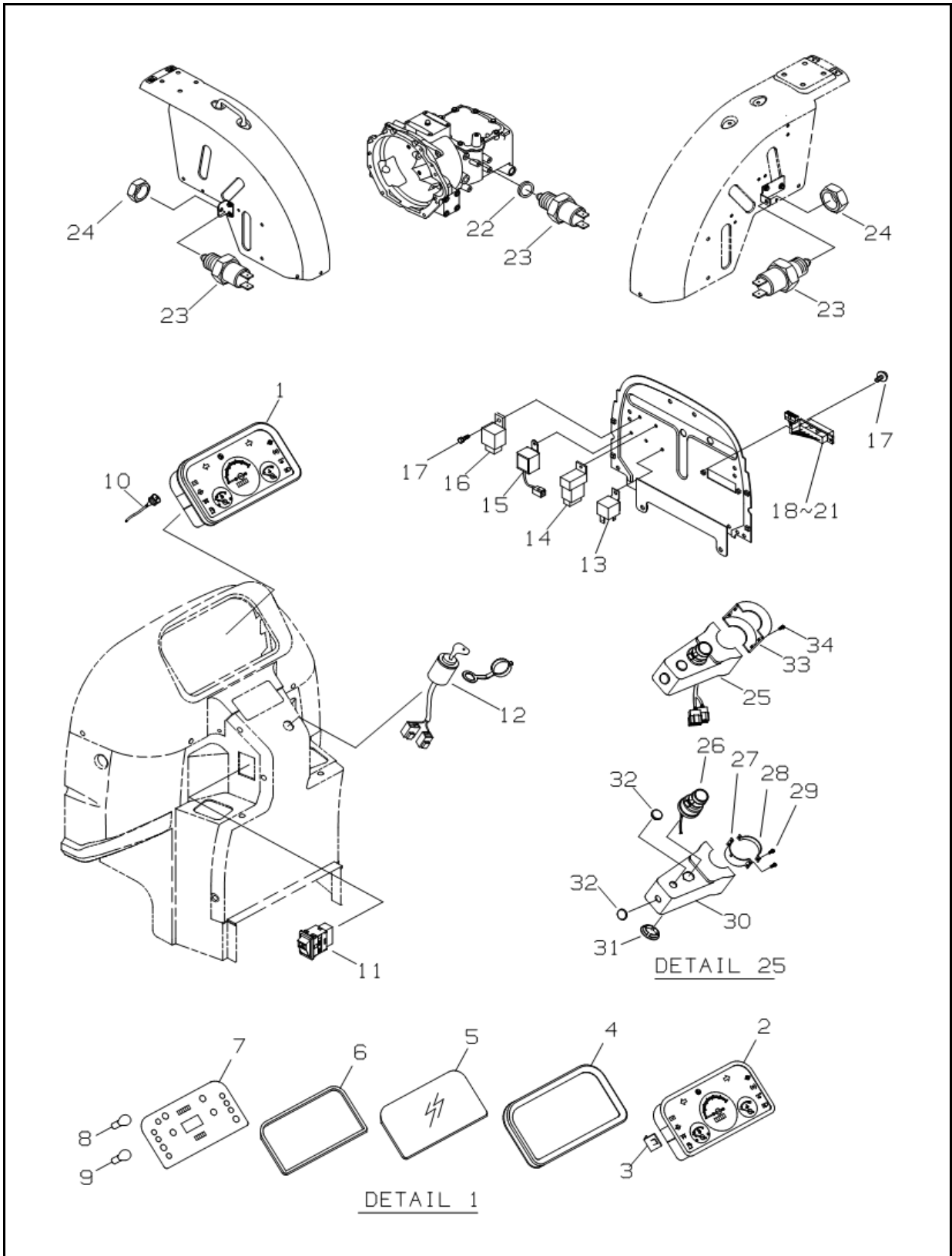
**(MID PTO)**

NO.	PART NO.	PART NAME & DESCRIPTION	QTY		REMARK
			S27	S32	
1	A1750239	INSTRUMENT PANEL ASSY	1	1	
2	A1750240	METER PANEL ASSY	1	1	
3	A1750139	BRACKET, PANEL	2	2	
4	A1750127	HOOD, PANEL	1	1	
5	A1750128	WINDOW GLASS, PANEL	1	1	
6	A1750137	PACKING, PANEL	1	1	
7	A1750193	PCB, PANEL	1	1	
8	A1750140	BULB	6	6	12V, 1.4W
9	A1750141	BULB	6	6	12V, 3.4W
10	A1750222	CABLE, TACHOMETER	1	1	
11	A1750161	SWITCH, EMERGENCY	1	1	
12~14	A1750254	KEY SWITCH ASSY	1	1	
12	A1750290	KEY, START	1	1	
13	A5001135	CAP, KEY	1	1	
14	A1750307	SWITCH, START	1	1	
15	Q1800023	RELAY, GLOW	1	1	
16	A30G0005	FLASHER	1	1	
17	A1750243	TIMER, ENGINE STOP	1	1	T4340-60242
18	Q1800018	RELAY, START	1	1	
19	S159061633	BOLT, HEX W/WASHER	5	5	M6X1.0X16
20	A1750225	FUSE BOX ASY	1	1	
21	A0751005	FUSE	6	6	10A
22	A0751006	FUSE	2	2	15A
23	A0751007	FUSE	3	3	20A
24	A1970379	SEAL, PLUG	1	1	
25	A1750256	SWITCH, SAFETY	3	3	
26	S316140013	NUT, HEX.3-T	2	2	M14x1.5
27	A1750269	STR. COLUMN S/W ASSY	1	1	
28	A1750323	SWITCH, COMBI	1	1	
29	A1750181	CLAMP A	1	1	
30	A1750182	CLAMP B	1	1	
31	S226401211	SCREW	4	4	M4X0.7X12
32	A1750178	COVER, COMBI. S/W	1	1	
33	A1750187	CAP, RUBBER	1	1	
34	A1750230	CAP, RUBBER	2	2	
35	A1750153	COVER, COMB. SWITCH	1	1	
36	S224402511	SCREW	2	2	M4X0.7X25



# INSTRUMENT PANEL (750)

FIG.7-3B



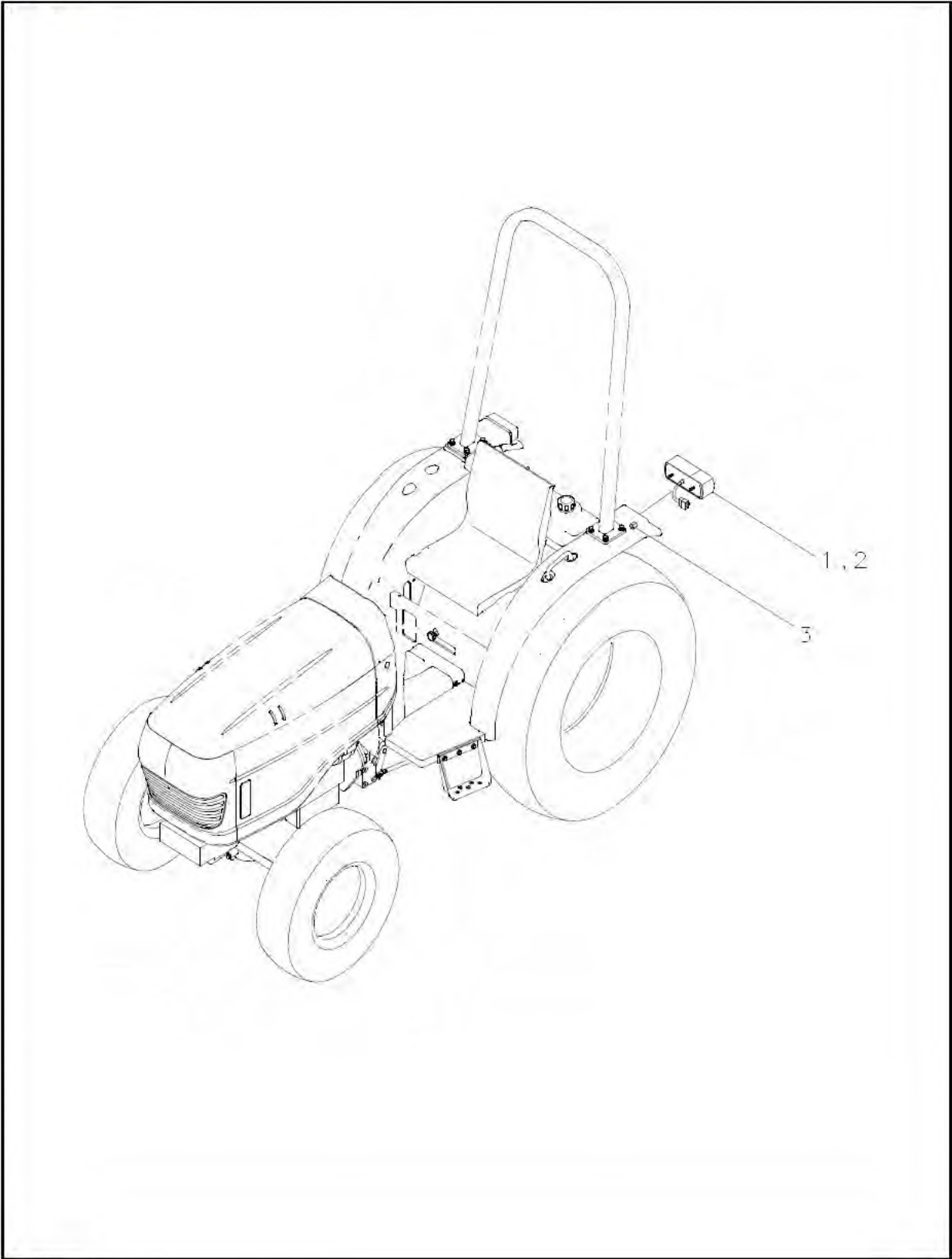
# INSTRUMENT PANEL (750)

**FIG.7-3B**

NO.	PART NO.	PART NAME & DESCRIPTION	QTY		REMARK
			S27	S32	
1	A1750239	INSTRUMENT PANEL ASSY	1	1	
2	A1750240	METER PANEL ASSY	1	1	
3	A1750139	BRACKET, PANEL	2	2	
4	A1750127	HOOD, PANEL	1	1	
5	A1750128	WINDOW GLASS, PANEL	1	1	
6	A1750137	PACKING, PANEL	1	1	
7	A1750193	PCB, PANEL	1	1	
8	A1750140	BULB	12V, 1.4W	6	6
9	A1750141	BULB	12V, 3.4W	6	6
10	A1750222	CABLE, TACHOMETER	1	1	
11	A1750161	SWITCH, EMERGENCY	1	1	
12	A1750254	KEY SWITCH ASSY	1	1	
13	Q1800023	RELAY, GLOW	1	1	
14	A30G0005	FLASHER	1	1	
15	A1750243	TIMER, ENGINE STOP	1	1	T4340-60242
16	Q1800018	RELAY, START	1	1	
17	S159061633	BOLT, HEX W/WASHER	M6X1.0X16	5	5
18	A1750225	FUSE BOX ASY		1	1
19	A0751005	FUSE	10A	6	6
20	A0751006	FUSE	15A	2	2
21	A0751007	FUSE	20A	3	3
22	A1970379	SEAL, PLUG		1	1
23	A1750256	SWITCH, SAFETY		3	3
24	S316140013	NUT, HEX.3-T	M14x1.5	2	2
25	A1750269	STR. COLUMN S/W ASSY		1	1
26	A1750180	SWITCH, COMBI		1	1
27	A1750181	CLAMP A		1	1
28	A1750182	CLAMP B		1	1
29	S226401211	SCREW	M4X0.7X12	4	4
30	A1750178	COVER, COMBI. S/W		1	1
31	A1750187	CAP, RUBBER		1	1
32	A1750230	CAP, RUBBER		2	2
33	S224402511	SCREW	M4X0.7X25	2	2
34	A1750153	COVER, COMB. SWITCH		1	1

# LAMP (760)

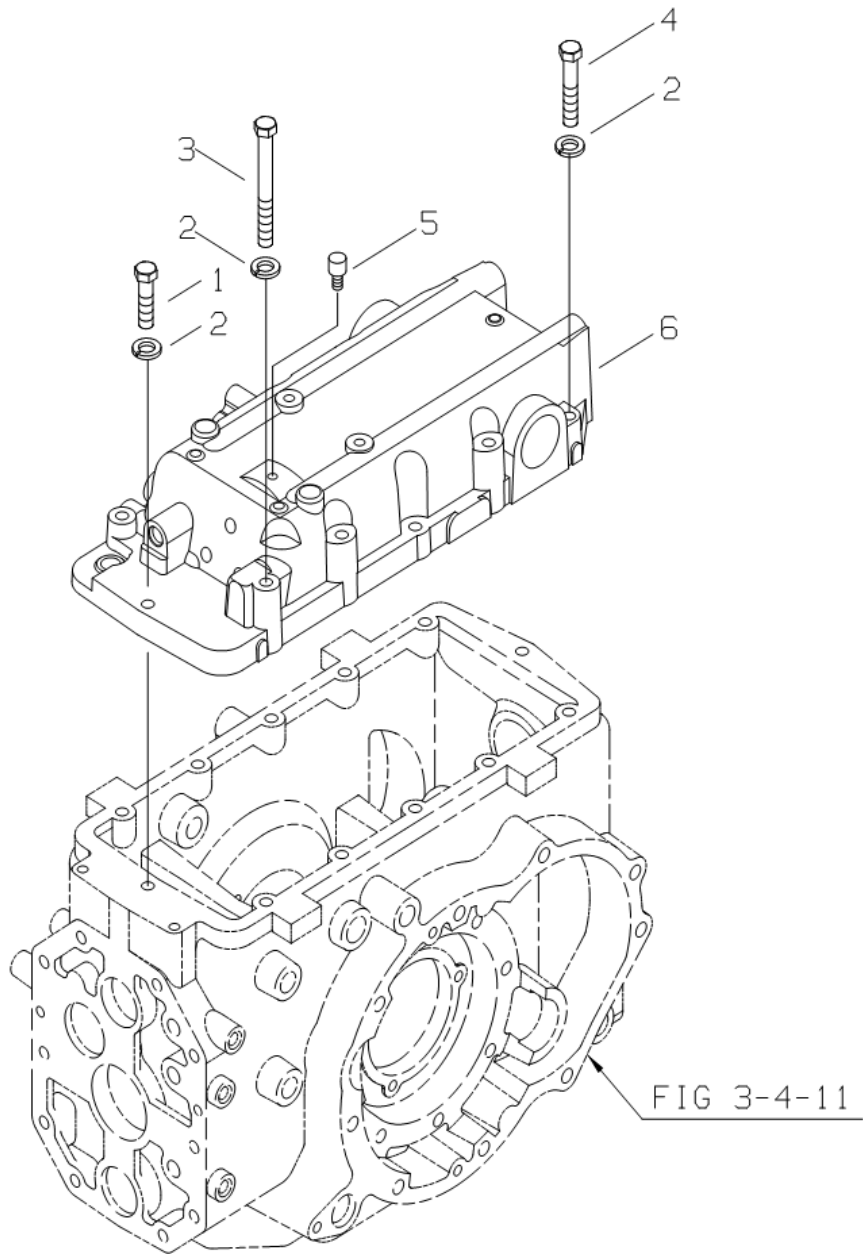
FIG.7-4





# HYDRAULIC HOUSING (820)

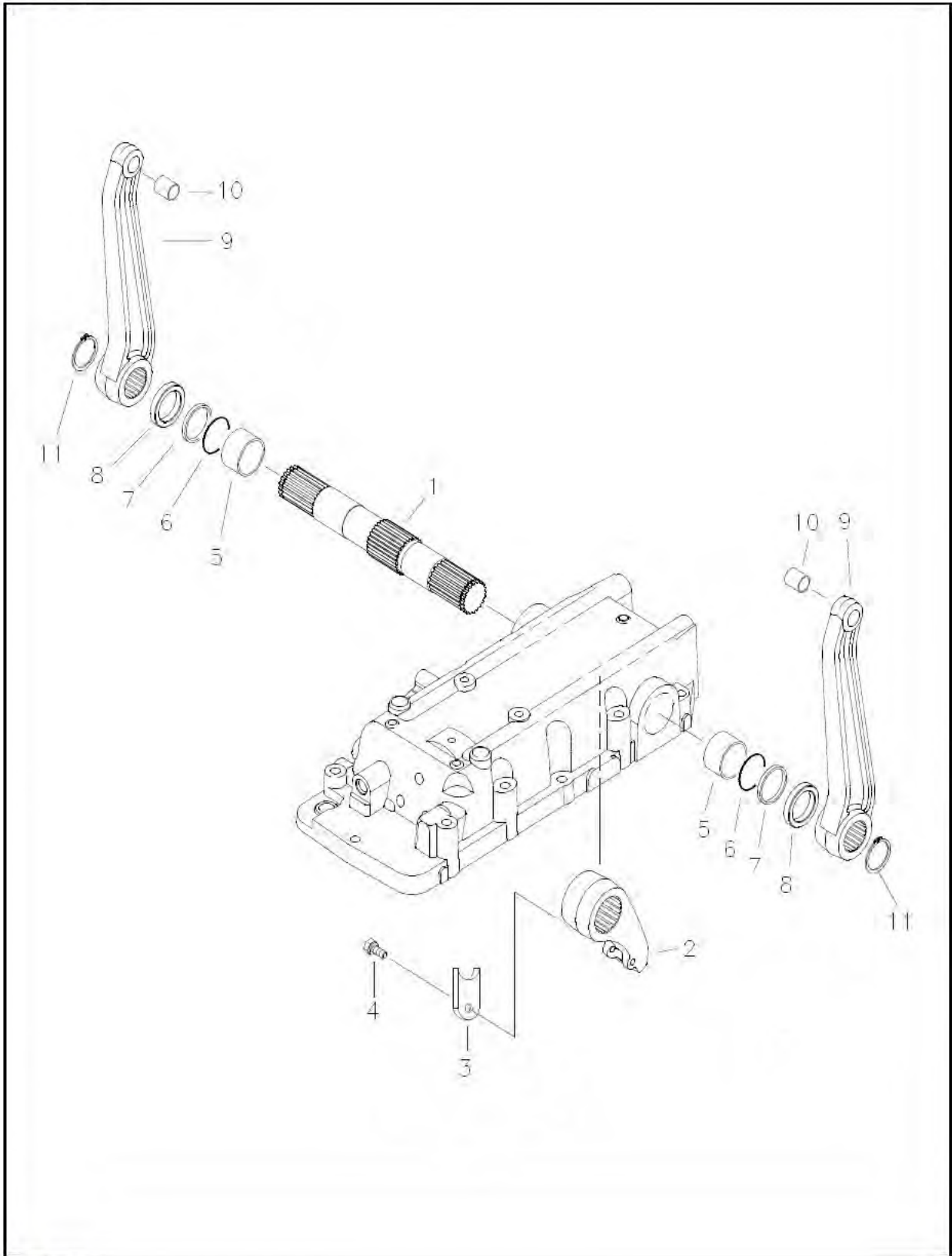
FIG.8-1





# HYDRAULIC LIFT (821)

FIG.8-2



# HYDRAULIC LIFT (821)

**FIG.8-2**

NO.	PART NO.	PART NAME & DESCRIPTION		QTY		REMARK
				S27	S32	
1	A1821030	SHAFT, HYD. LIFT		1	1	
2	A1821044	ARM, POWER		1	1	
3	A1826094	PLATE, LOCK		1	1	
4	S153081633	BOLT, HEX. W/WASHER	M8×1.25×16	1	1	
5	3A1821005	BUSHING, HYD. LIFT SHAFT	φ45×φ50×30	2	2	
6	S802045010	O-RING	D44.1×3.1	2	2	
7	3A1821004	COLLAR	φ45×φ50×5	2	2	
8	A1821043	SPACER		2	2	
9	A1821040	ARM, LIFT		2	2	
10	3A1821007	BUSHING, LIFT ARM	φ19×φ22×25	2	2	
11	S810042001	RING, SNAP	φ38.5	2	2	



# CONTROL VALVE & LINK (822)

FIG.8-3

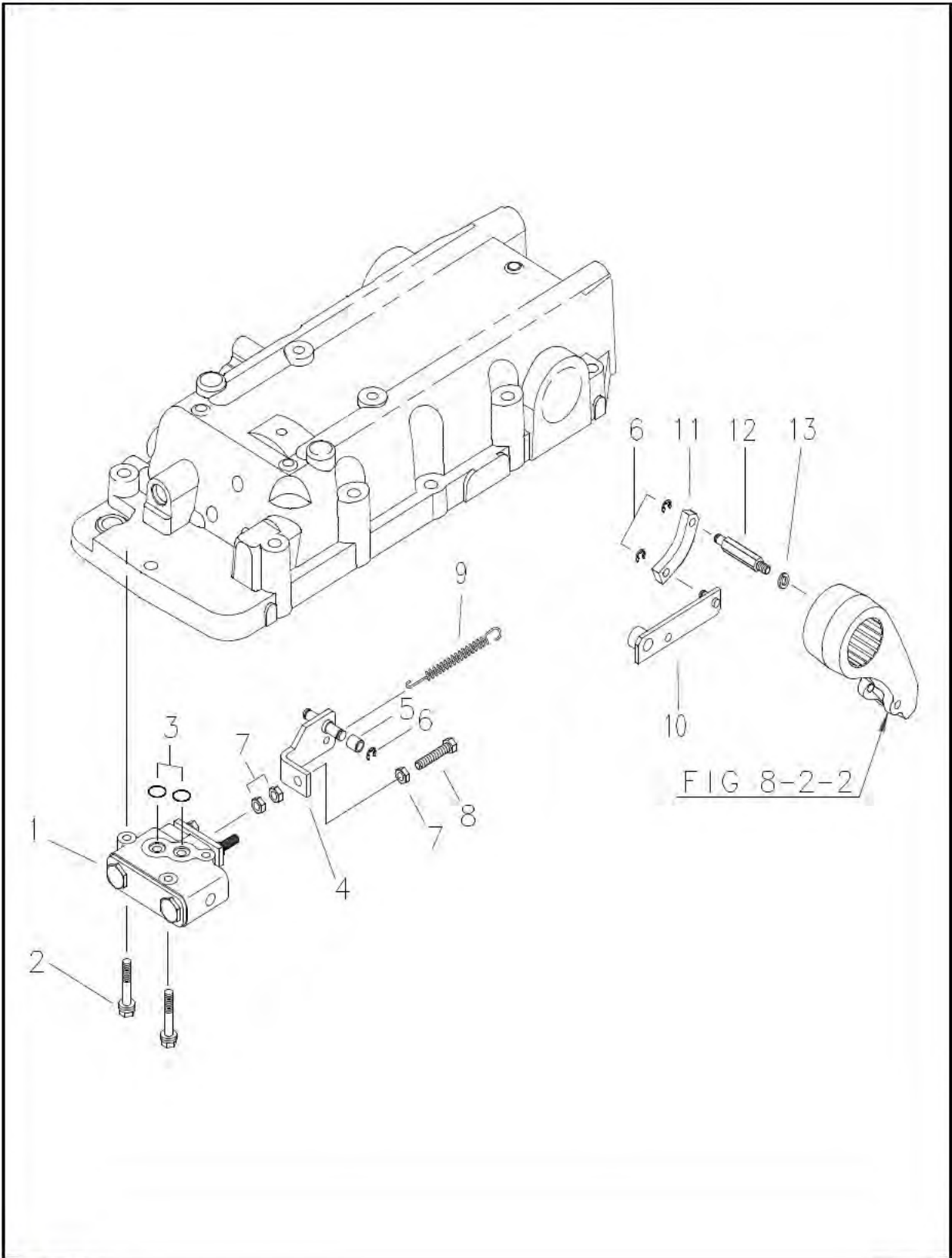


FIG 8-2-2

# CONTROL VALVE & LINK (822)

**FIG.8-3**

NO.	PART NO.	PART NAME & DESCRIPTION		QTY		REMARK
				S27	S32	
1	A1822134	VALVE, CONTROL		1	1	
2	S155085033	BOLT, HEX. W/WASHER	M8×1.25×50	3	3	
3	S801012020	O-RING (P)	D11.8×2.4	2	2	
4~6	A1824034	CLEVIS ASSY		1	1	
4	A1824030	CLEVIS		1	1	
5	3A1822006	ROLLER	Φ12×Φ8×12.5	1	1	
6	S814006003	RING, SNAP (E)	Φ6	3	3	
7	S313080043	NUT, HEX.	M8×1.25	3	3	
8	S163085043	BOLT, HEX.	M8×1.25×50	1	1	
9	A1822086	SPRING		1	1	
10	A1824028	LINK		1	1	
11	3A1822010	LINK, E		1	1	
12	A1822031	PIN		1	1	
13	S361080013	WASHER, SPRING	Φ15.4×Φ8.2×2t	1	1	

# CONTROL VALVE & LINK (822)

FIG.8-3

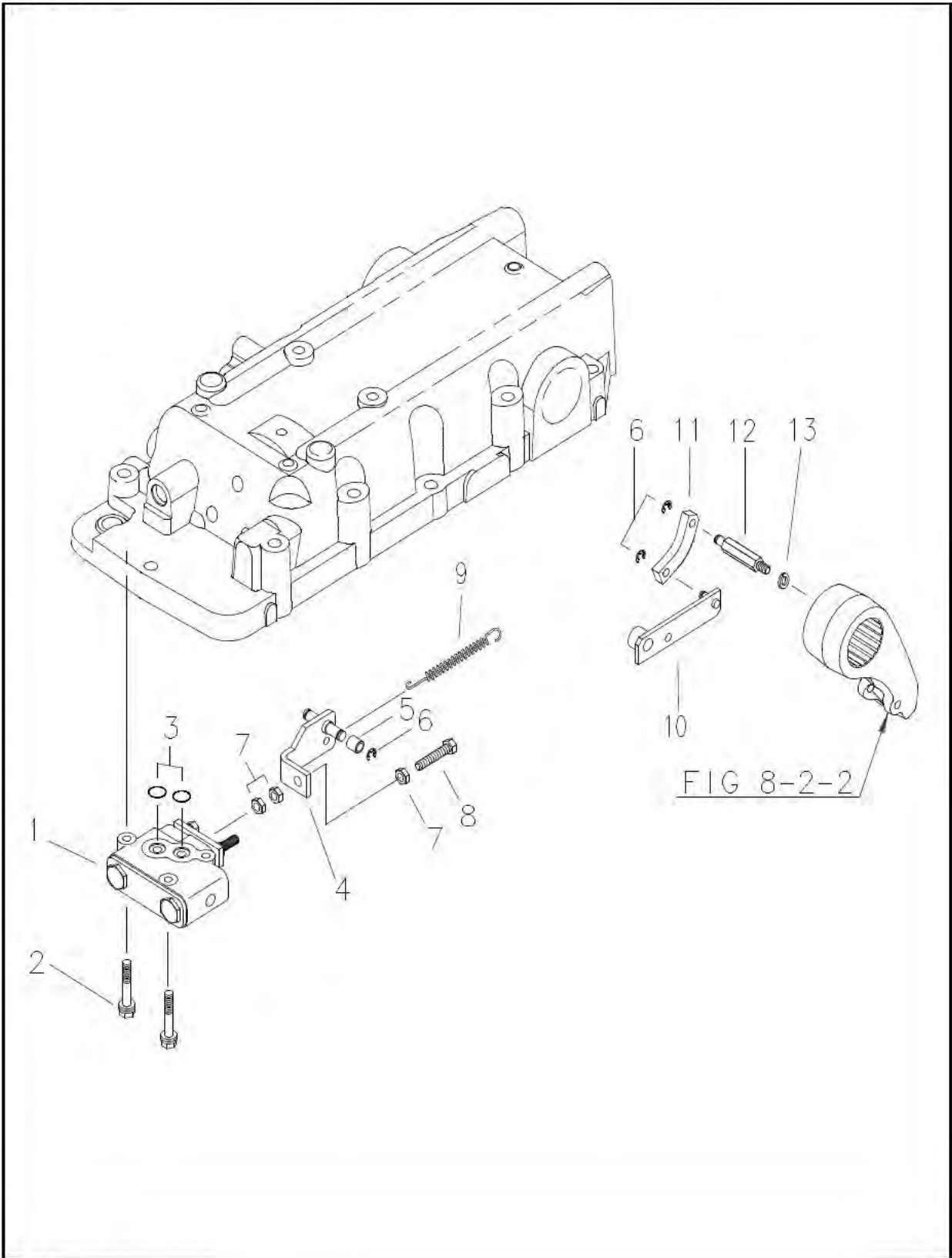


FIG 8-2-2

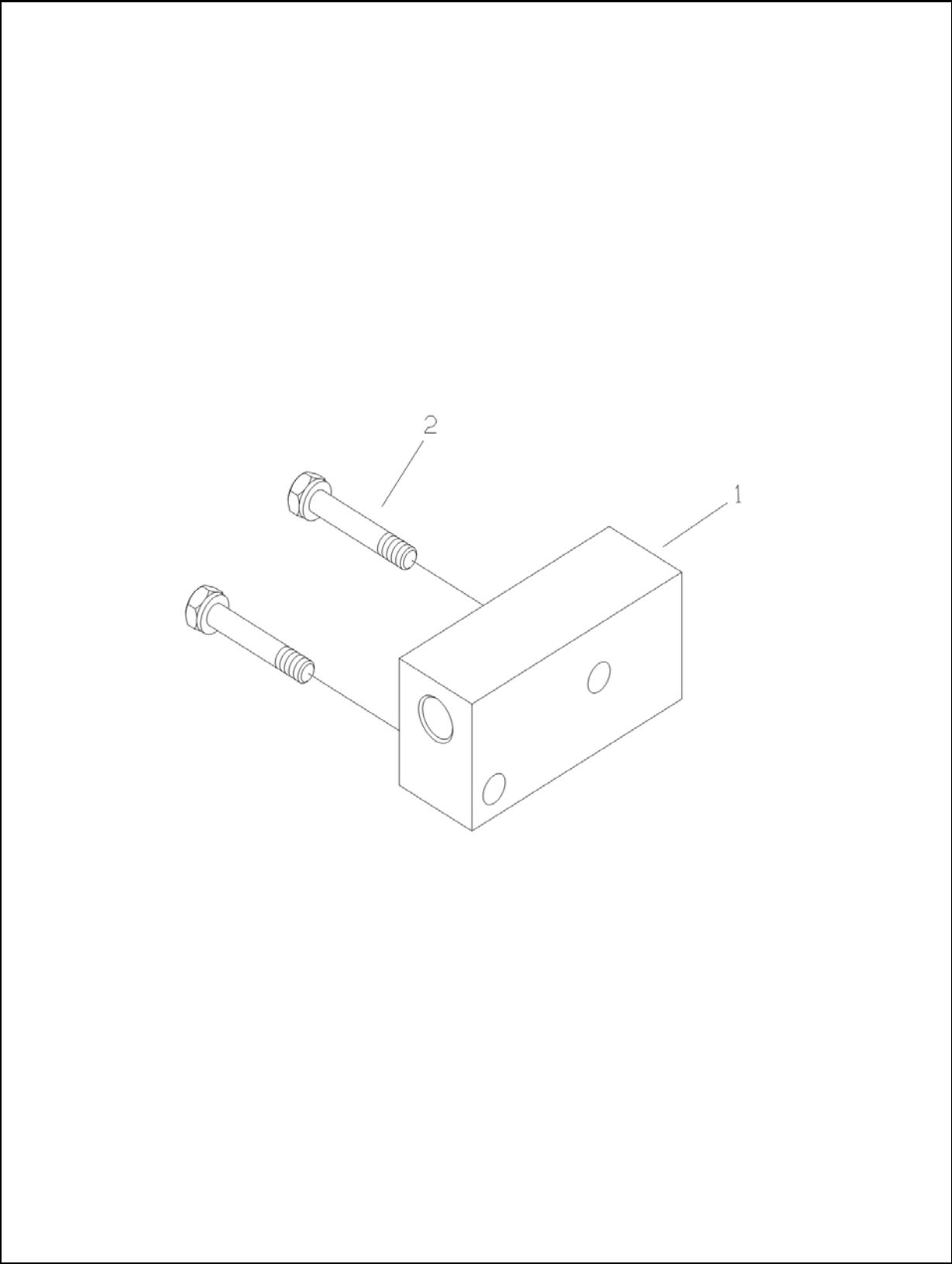
# CONTROL VALVE & LINK (822)

**FIG.8-3**

NO.	PART NO.	PART NAME & DESCRIPTION		QTY		REMARK
				S27	S32	
1	A1822073	VALVE, CONTROL		1	1	
2	S155085033	BOLT, HEX. W/WASHER	M8×1.25×50	3	3	
3	S801012020	O-RING (P)	D11.8×2.4	2	2	
4~6	A1824034	CLEVIS ASSY		1	1	
4	A1824030	CLEVIS		1	1	
5	3A1822006	ROLLER	Φ12×Φ8×12.5	1	1	
6	S814006003	RING, SNAP (E)	Φ6	3	3	
7	S313080043	NUT, HEX.	M8×1.25	3	3	
8	S163085043	BOLT, HEX.	M8×1.25×50	1	1	
9	A1822086	SPRING		1	1	
10	A1824028	LINK		1	1	
11	3A1822010	LINK, E		1	1	
12	A1822031	PIN		1	1	
13	S361080013	WASHER, SPRING	Φ15.4×Φ8.2×2t	1	1	

# RELIEF VALVE (822)

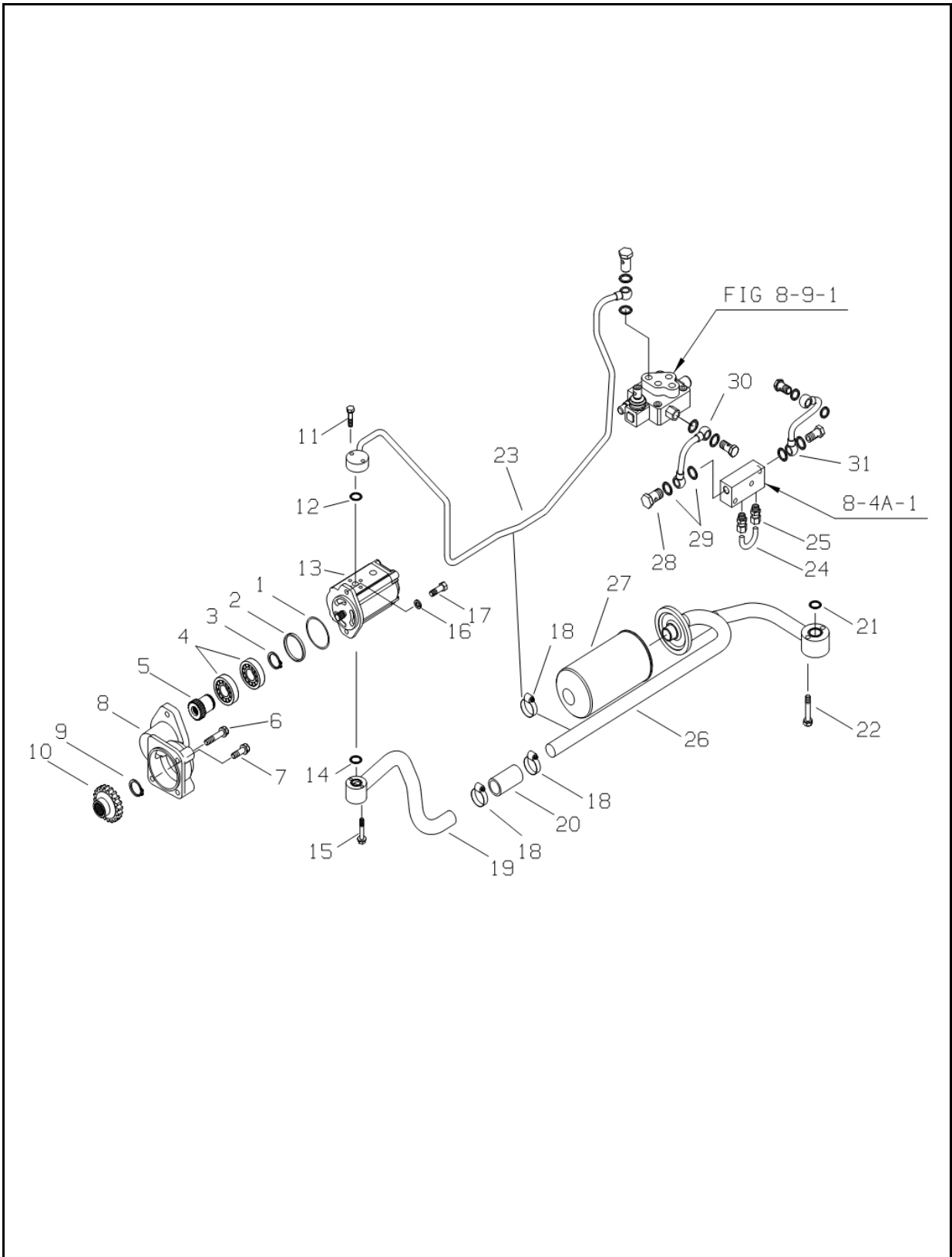
FIG.8-4A





# HYDRAULIC PIPE LINE (823)

FIG.8-5A



# HYDRAULIC PIPE LINE (823)

FIG.8-5A

AG

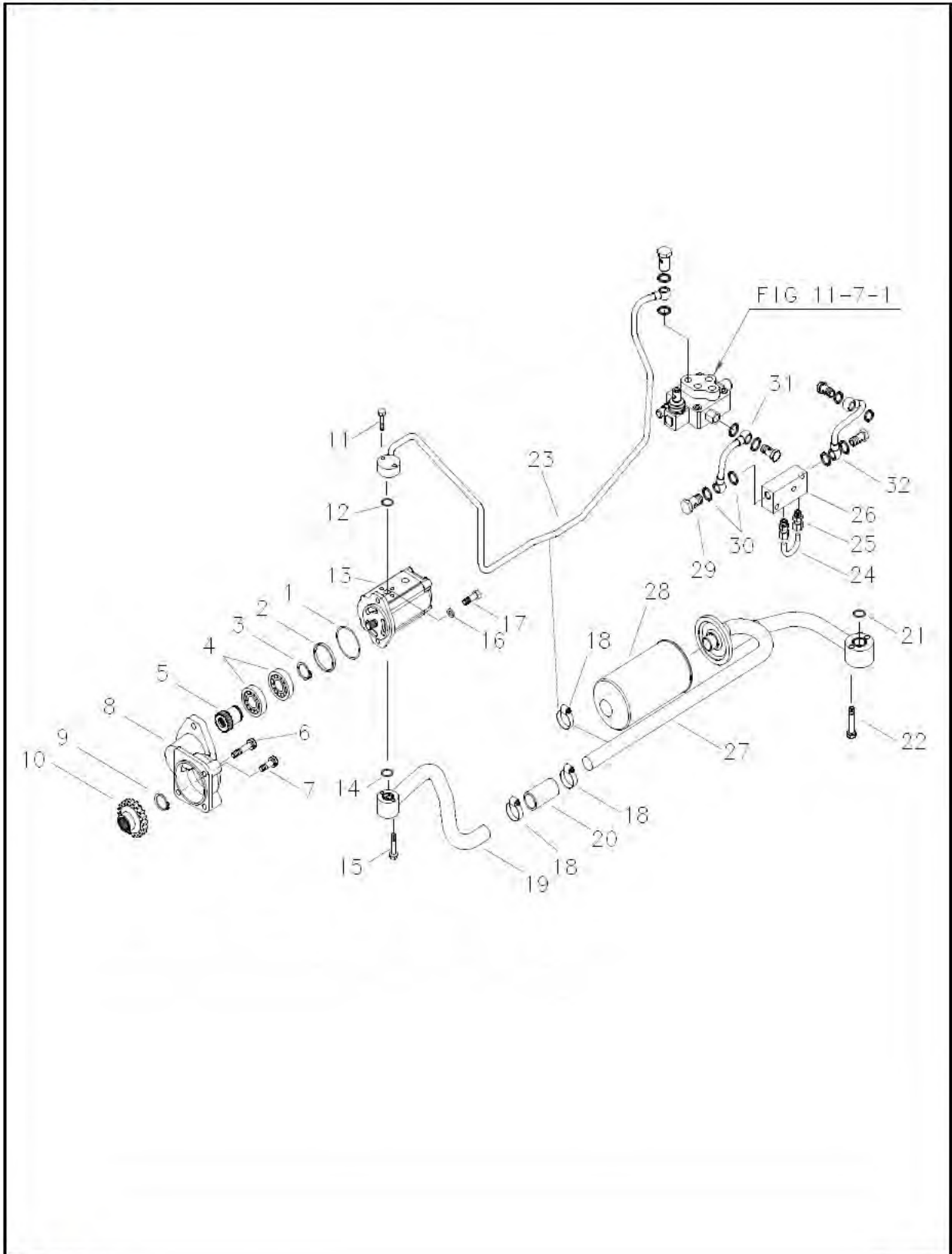
(W/RCV)

NO.	PART NO.	PART NAME & DESCRIPTION		QTY		REMARK
				S27	S32	
1	S804080010	O-RING (S)	D79.5×2.0	1	1	
2	A1823335	SPACER	φ60.5×5.5t	1	1	
3	S810030001	RING, SNAP	φ30	1	1	
4	A0860060	BEARING, BALL	#6006	2	2	
5	A1823334	GEAR, HYD. PUMP DRVN, 22T		1	1	
6	S153084533	BOLT, HEX. W/WASHER		2	2	
7	S153082533	BOLT, HEX. W/WASHER		1	1	
8	A1823336	HOLDER, GEAR PUMP		1	1	
9	S810025001	RING, SNAP	φ25	1	1	
10	A1823333	GEAR, HYD. PUMP DRV, 45T		1	1	
11	S153083533	BOLT, HEX. W/WASHER	M8×1.25×35	2	2	
12	S801018010	O-RING (P)	D17.8×2.4	1	1	
13	A1823396	PUMP, HYD(TENDEM)	9×5.3cc/rev	1	1	
14	S804024010	O-RING (S)	D23.5×2.0	1	1	
15	S153085033	BOLT, HEX. W/WASHER	M8×1.25×50	2	2	
16	S361100013	WASHER, SPRING		2	2	
17	S107103043	BOLT		2	2	
18	A1970201F	CLAMP, HOSE		3	3	
19	A1823400	PIPE, F/SUCTION		1	1	
20	A1823401	HOSE, PIPE		1	1	
21	S804026010	O-RING (S)	D25.5×2.0	1	1	
22	S154106033	BOLT, HEX. W/WASHER	M10×1.25×60	2	2	
23	A1823405	PIPE, FRONT PRESSURE		1	1	
24~25	A1823407	CONNECTION PIPE ASSY		1	1	
24	A1823413	PIPE, CONNECTION		1	1	
25	A1630144	JOINT	12-03G	2	2	
26	A1823582	PIPE, R/SUCTION		1	1	
27	A1823315	FILTER, HYD.		1	1	
28	A1630201	BOLT, UNION	PF 3/8	5	5	
29	A1823245	SEAL, BONDED	φ24×φ16.8×1.5t	10	10	
30	A1823406	PIPE, MIDDLE PRESSURE		1	1	
31	A1823410	PIPE, REAR PRESSURE		1	1	



# HYDRAULIC PIPE LINE (823)

FIG.8-5B



# HYDRAULIC PIPE LINE (823)

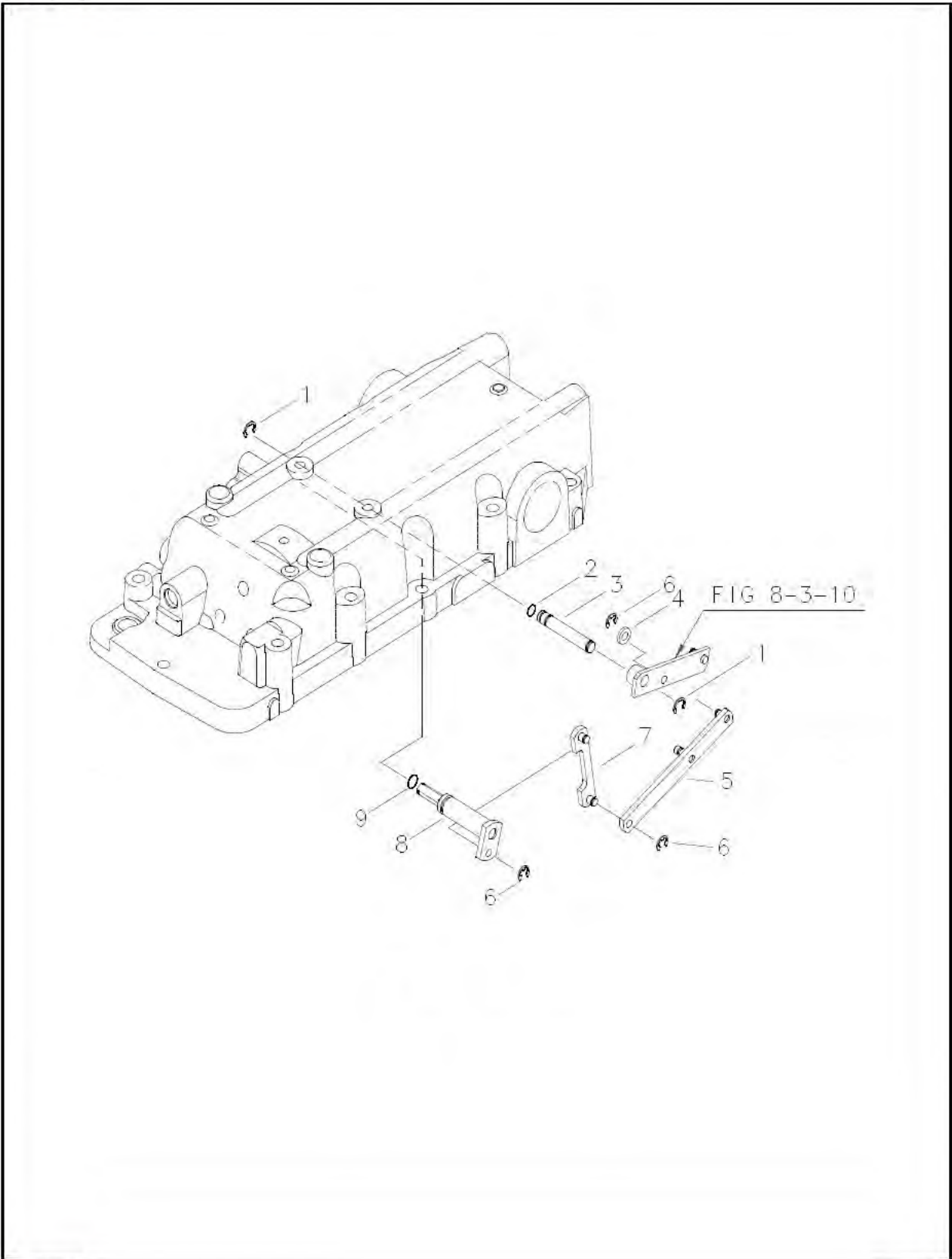
**FIG.8-5B**

**(REMOTE CONTROL VALVE)**

NO.	PART NO.	PART NAME & DESCRIPTION		QTY		REMARK
				S27	S32	
1	S804080010	O-RING (S)	D79.5×2.0	1	1	
2	A1823335	SPACER	φ60.5×5.5t	1	1	
3	S810030001	RING, SNAP	φ30	1	1	
4	A0860060	BEARING, BALL	#6006	2	2	
5	A1823334	GEAR, HYD. PUMP DRVN, 22T		1	1	
6	S153084533	BOLT, HEX. W/WASHER		2	2	
7	S153082533	BOLT, HEX. W/WASHER		1	1	
8	A1823336	HOLDER, GEAR PUMP		1	1	
9	S810025001	RING, SNAP	φ25	1	1	
10	A1823333	GEAR, HYD. PUMP DRV, 45T		1	1	
11	S153083533	BOLT, HEX. W/WASHER	M8×1.25×35	2	2	
12	S801018010	O-RING (P)	D17.8×2.4	1	1	
13	A1823396	PUMP, HYD(TENDEM)	9×5.3cc/rev	1	1	
14	S804024010	O-RING (S)	D23.5×2.0	1	1	
15	S153085033	BOLT, HEX. W/WASHER	M8×1.25×50	2	2	
16	S361100013	WASHER, SPRING		2	2	
17	S107103043	BOLT		2	2	
18	A1970201F	CLAMP, HOSE		3	3	
19	A1823400	PIPE, F/SUCTION		1	1	
20	A1823401	HOSE, PIPE		1	1	
21	S804026010	O-RING (S)	D25.5×2.0	1	1	
22	S154106033	BOLT, HEX. W/WASHER	M10×1.25×60	2	2	
23	A1823405	PIPE, FRONT PRESSURE		1	1	
24~25	A1823407	CONNECTION PIPE ASSY		1	1	
24	A1823413	PIPE, CONNECTION		1	1	
25	A1630144	JOINT	12-03G	2	2	
26	A1822172	BLOCK, OUTLET		1	1	
27	A1823399	PIPE, R/SUCTION		1	1	
28	A1823132	FILTER, HYD.		1	1	
29	A1630201	BOLT, UNION	PF 3/8	5	5	
30	A1823245	SEAL, BONDED	φ24×φ16.8×1.5t	10	10	
31	A1823406	PIPE, MIDDLE PRESSURE		1	1	
32	A1823410	PIPE, REAR PRESSURE		1	1	

# HYDRAULIC LINKAGE (824)

FIG.8-6



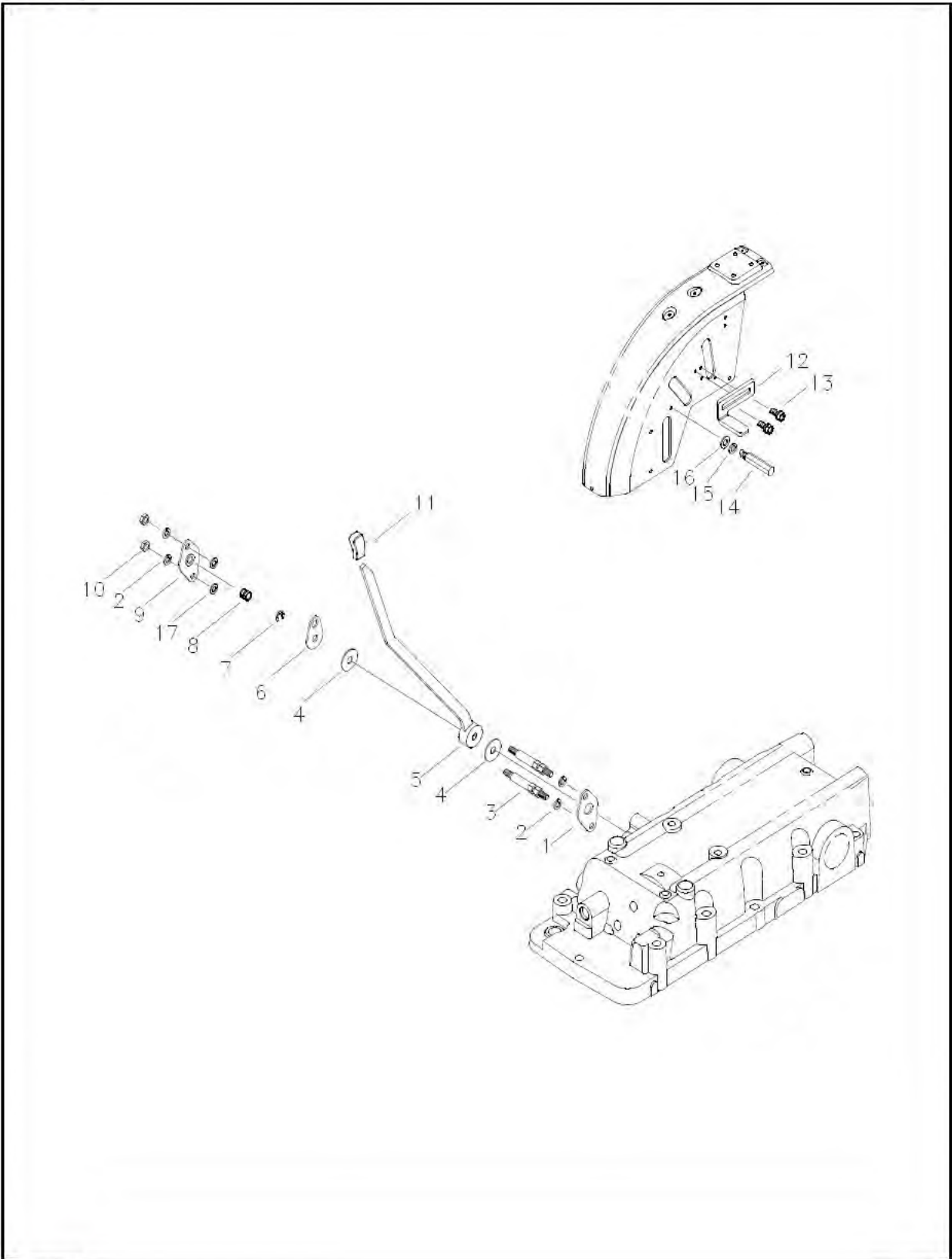
# HYDRAULIC LINKAGE (824)

**FIG.8-6**

NO.	PART NO.	PART NAME & DESCRIPTION		QTY		REMARK
				S27	S32	
1	S814009003	RING, SNAP (E)	φ9	2	2	
2	S801009010	O-RING (P)	D8.8×1.9	1	1	
3	A1824032	SHAFT, LINK SUPPORT		1	1	
4	S364080013	WASHER, PLN. F-RD.	φ17×φ8.4×1.6t	1	1	
5	A1824026	LINK, POSITION		1	1	
6	S814006003	RING, SNAP (E)	φ6	3	3	
7	3A1824003	LINK, B		1	1	
8	A1824039	SHAFT, POSITION		1	1	
9	S801016010	O-RING (P)	D15.8×2.4	1	1	

# HYDRAULIC CONTROL LEVER (825)

FIG.8-7



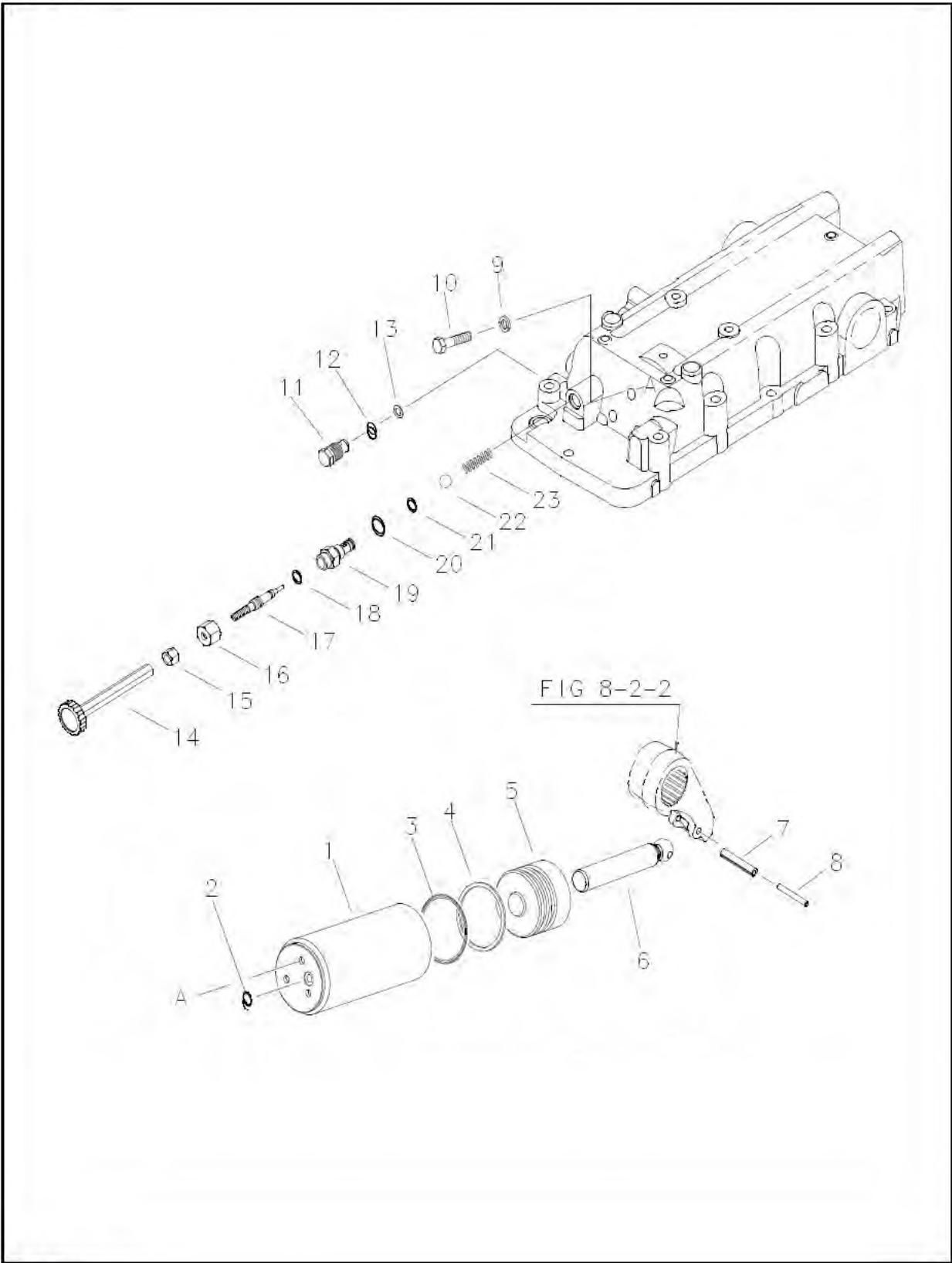
# HYDRAULIC CONTROL LEVER (825)

**FIG.8-7**

NO.	PART NO.	PART NAME & DESCRIPTION		QTY		REMARK
				S27	S32	
1	A1825033	COVER		1	1	
2	S361100013	WASHER, SPRING	φ18.4×φ10.2×2.5t	4	4	
3	A1825152	SUPPORT, LEVER		2	2	
4	A1825024	PLATE S, FRICTION	D13×2t	2	2	
5	A1825153	LEVER, POSITION CON		1	1	
6	A1825053	PLATE, LOCKING		1	1	
7	S810012001	RING, SNAP	φ12	1	1	
8	A1825086	SPRING		1	1	
9	A1825034	COVER, SPRING		1	1	
10	S302100043	NUT, HEX.	M10×1.25	2	2	
11	A1970299	KNOB		1	1	
12	A1825150	STOPPER, LEVER (UPPER)		1	1	
13	S159081633	BOLT, HEX. W/WASHER	M8×1.25×16	2	2	
14	A1825151	STOPPER, LEVER (LOWER)		1	1	
15	S361080013	WASHER, SPRING	φ15.4×φ8.2×2t	1	1	
16	S363080013	WASHER, PLN.	φ15.5×φ8.4×1.6t	1	1	
17	A1825180	SHIM		AR	AR	

# HYDRAULIC CYLINDER (826)

FIG.8-8



# HYDRAULIC CYLINDER (826)

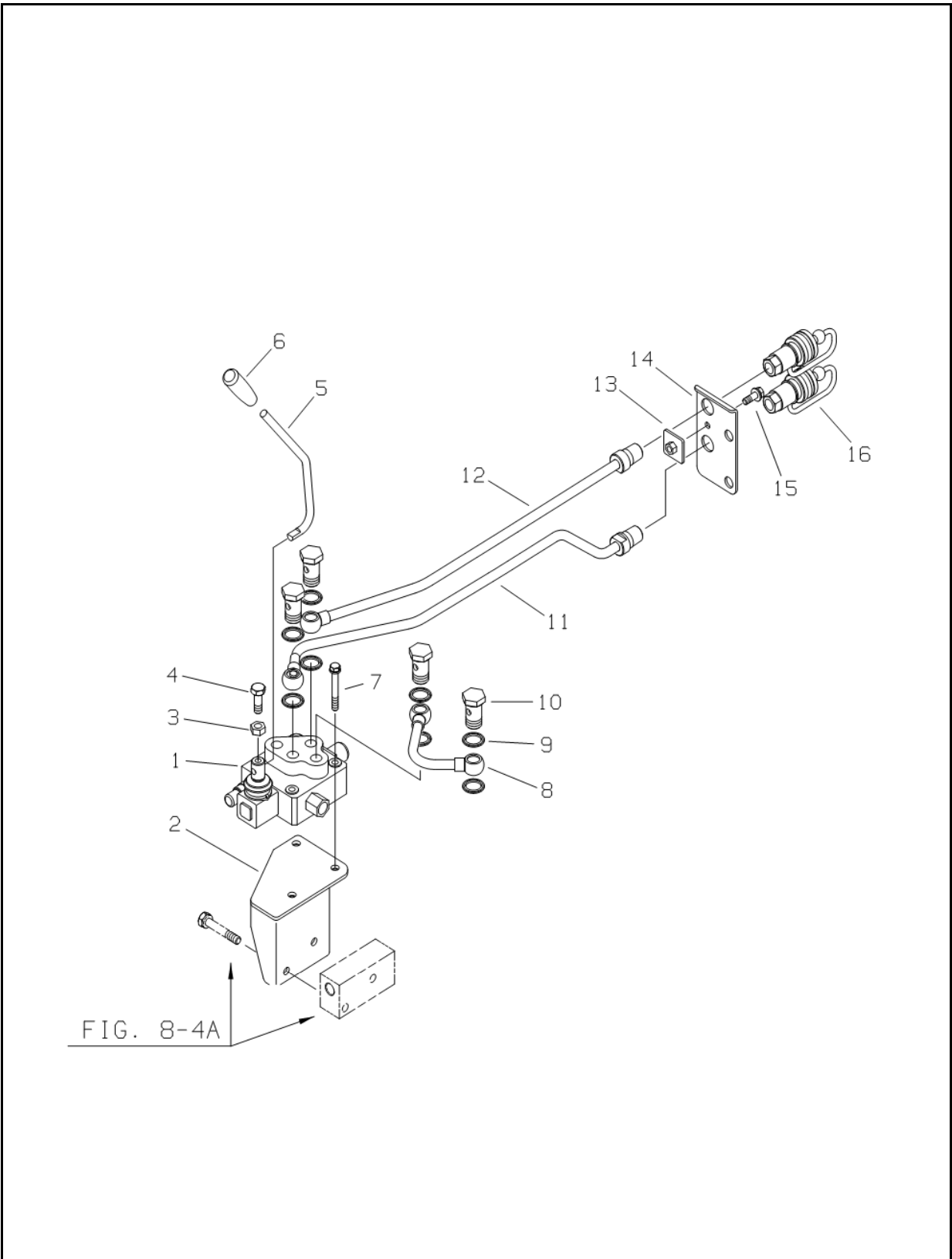
**FIG.8-8**

NO.	PART NO.	PART NAME & DESCRIPTION		QTY		REMARK
				S27	S32	
1	A1826121	CYLINDER, HYD.	φ70	1	1	
2	S801014020	O-RING	D13.8×2.4	1	1	
3	A1826123	O-RING	D71×5.7	2	2	
4	A1826124	RING, BACKUP	φ70×φ60×3t	2	2	
5	A1826122	PISTON, HYD.	φ70	1	1	
6	A1826129	ROD, HYD. PISTON	176L	1	1	
7	S446084510	PIN, SPRING W-TY	φ8.6×45	1	1	
8	S446054510	PIN, SPRING W-TY	φ5.4×45	1	1	
9	S361120013	WASHER, SPRING	φ21.5×φ12.2×3t	3	3	
10	S103125043	BOLT, HEX	M12×1.25×50	3	3	
11	A1826037	VALVE, SAFETY		1	1	
12	S801018010	O-RING	D17.8×2.4	1	1	
13	A1826036	SEAL	φ18×φ10.5×1t	1	1	
14	A1970372	KNOB		1	1	
15	S345080013	NUT, FLANGE	M8×1.25	1	1	
16~21	A1826078	FLOW, REGULATOR		1	1	
16	A1826081	NUT, HEX	M8×1.25	1	1	
17	A1826080	SCREEW, ADJUST		1	1	
18	S801006020	O-RING	D5.8×1.9	1	1	
19	A1826079	BODY, REGULATOR		1	1	
20	S801014020	O-RING	D13.8×2.4	1	1	
21	S801010020	O-RING	D9.8×1.9	1	1	
22	A20063480	BALL, STEEL	3/8"	1	1	
23	A1826058	SPRING		1	1	



# REMOTE CONTROL VALVE (827)

FIG.8-9



# REMOTE CONTROL VALVE (827)

FIG.8-9

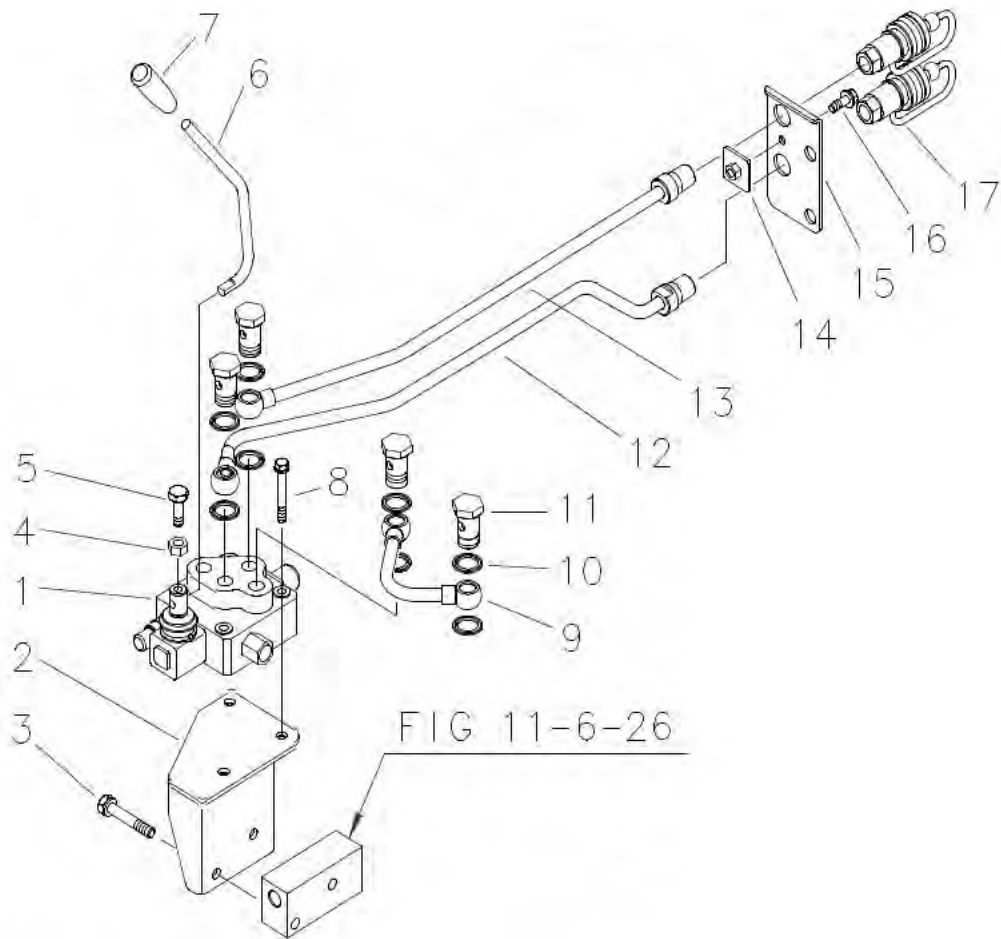
AG

(W/RCV)

NO.	PART NO.	PART NAME & DESCRIPTION	QTY		REMARK
			S27	S32	
1	A1827190	VALVE, REMOTE CONTROL	1	1	
2	A1827231	BRACKET, REMOTE CONTROL	1	1	
3	S154106033	BOLT, HEX. W/WASHER	2	2	M10×1.25×60
4	S305100013	NUT, HEX.	1	1	M10x1.25
5	S101103043	BOLT, HEX.	1	1	M10x1.25x30
6	A1827236	LEVER, VALVE	1	1	
7	A1970242	GRIP, LEVER	1	1	
8	S153086033	BOLT, HEX. W/WASHER	3	3	M8x1.25x60
9	A1827232	PIPE, DRAIN	1	1	
10	A1823245	SEAL, BONDED	8	8	Φ24×Φ16.8×1.5t
11	A1630201	BOLT, UNION	4	4	PF 3/8
12	A1827234	PIPE, REMOTE CONTROL (DN)	1	1	
13	A1827233	PIPE, REMOTE CONTROL (UP)	1	1	
14	A1827263	BRACKET, REMOTE CONTROL PIPE	1	1	
15	A1827235	BRACKET, REMOTE CONTROL PIPE	1	1	
16	S159082533	BOLT, HEX. W/WASHER	1	1	M8x1.25x25
17	A1827177	QUICK COUPLING	2	2	1/2"

# REMOTE CONTROL VALVE (827)

FIG.8-9



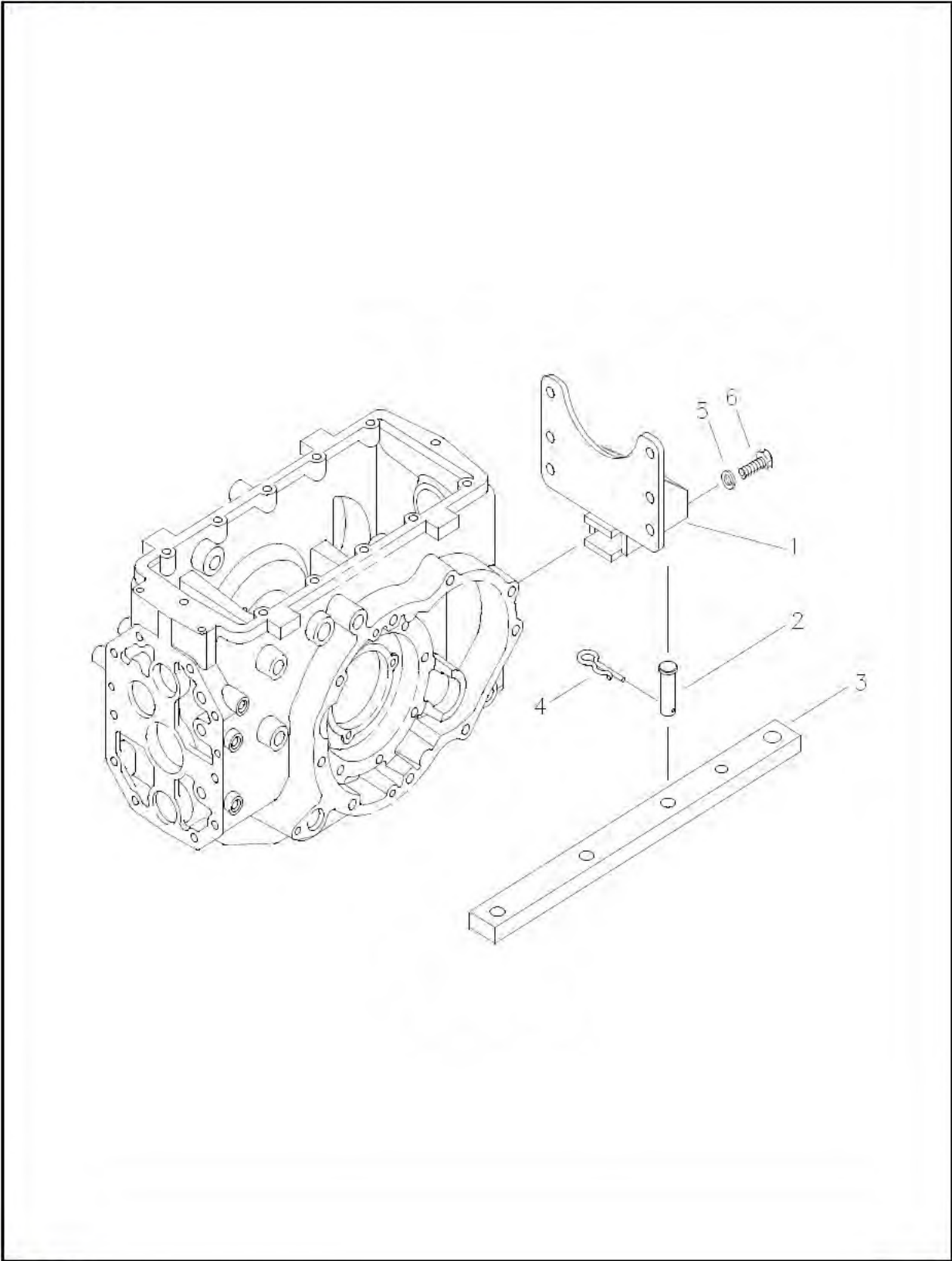
# REMOTE CONTROL VALVE (827)

**FIG.8-9**

NO.	PART NO.	PART NAME & DESCRIPTION		QTY		REMARK
				S27	S32	
1	A1827190	VALVE, REMOTE CONTROL		1	1	
2	A1827231	BRACKET, REMOTE CONTROL		1	1	
3	S154106033	BOLT, HEX. W/WASHER	M10×1.25×60	2	2	
4	S305100013	NUT, HEX.	M10x1.25	1	1	
5	S101103043	BOLT, HEX.	M10x1.25x30	1	1	
6	A1827236	LEVER, VALVE		1	1	
7	A1970242	GRIP, LEVER		1	1	
8	S153086033	BOLT, HEX. W/WASHER	M8x1.25x60	3	3	
9	A1827232	PIPE, DRAIN		1	1	
10	A1823245	SEAL, BONDED	Φ24×Φ16.8×1.5t	8	8	
11	A1630201	BOLT, UNION	PF 3/8	4	4	
12	A1827234	PIPE, REMOTE CONTROL (DN)		1	1	
13	A1827233	PIPE, REMOTE CONTROL (UP)		1	1	
14	A1827263	BRACKET, REMOTE CONTROL PIPE		1	1	
15	A1827235	BRACKET, REMOTE CONTROL PIPE		1	1	
16	S159082533	BOLT, HEX. W/WASHER	M8x1.25x25	1	1	
17	A1827177	QUICK COUPLING	1/2"	2	2	

# DRAWBAR HITCH (891)

FIG.8-10



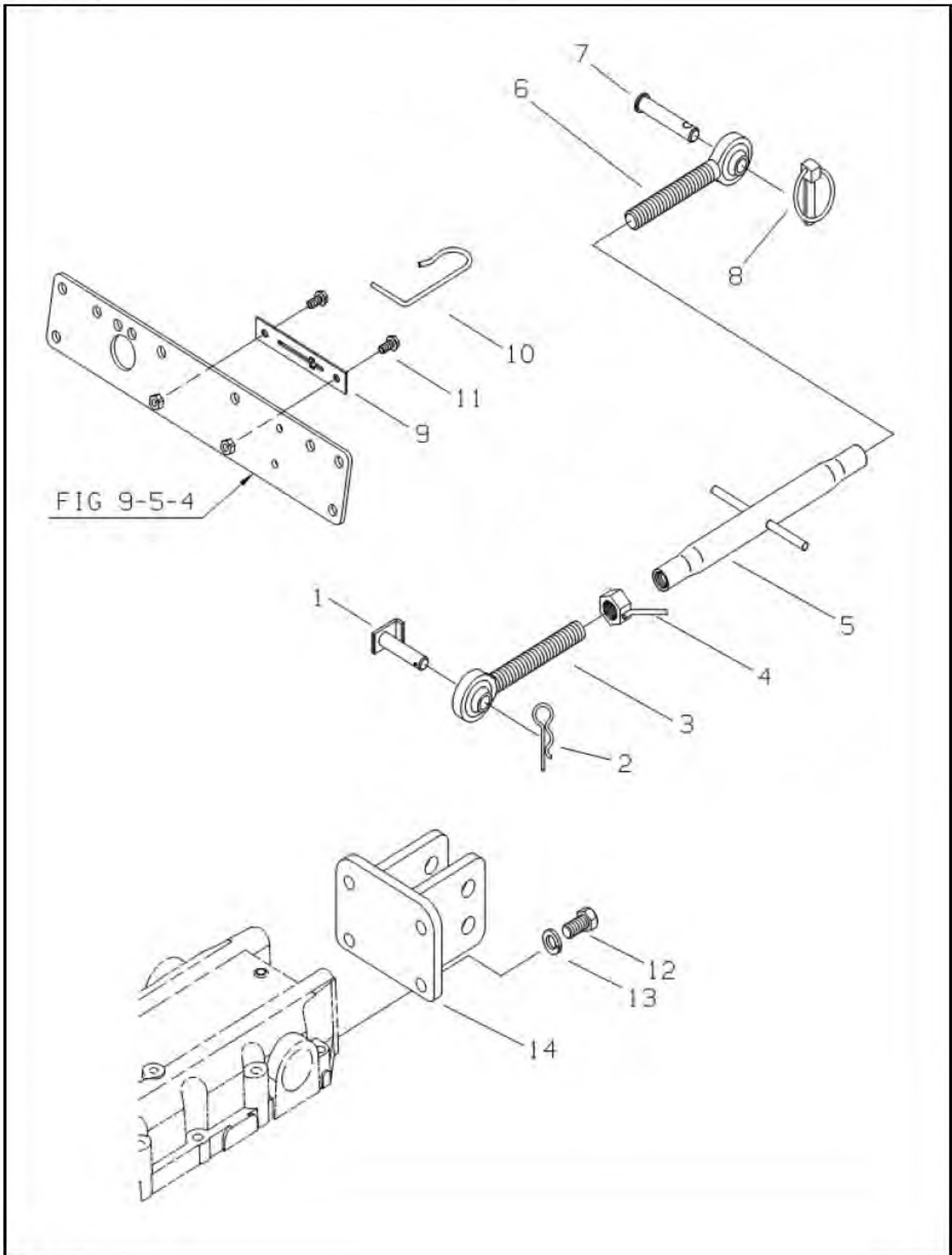
# DRAWBAR HITCH (891)

**FIG.8-10**

NO.	PART NO.	PART NAME & DESCRIPTION		QTY		REMARK
				S27	S32	
1	A1891046	SUPPORT, DRAWBAR		1	1	
2	A1891033	PIN, DRAWBAR REAR PIVOT	φ25X77	1	1	
3	A1891045	DRAWBAR		1	1	
4	3A1970091	PIN, SNAP		1	1	
5	S361140013	WASHER, SPRING	φ25.4×φ14.2×3.5t	6	6	
6	S101144043	BOLT, HEX.	M14×2.0×40	6	6	

# UPPER LINK (896)

FIG.8-11



# UPPER LINK (896)

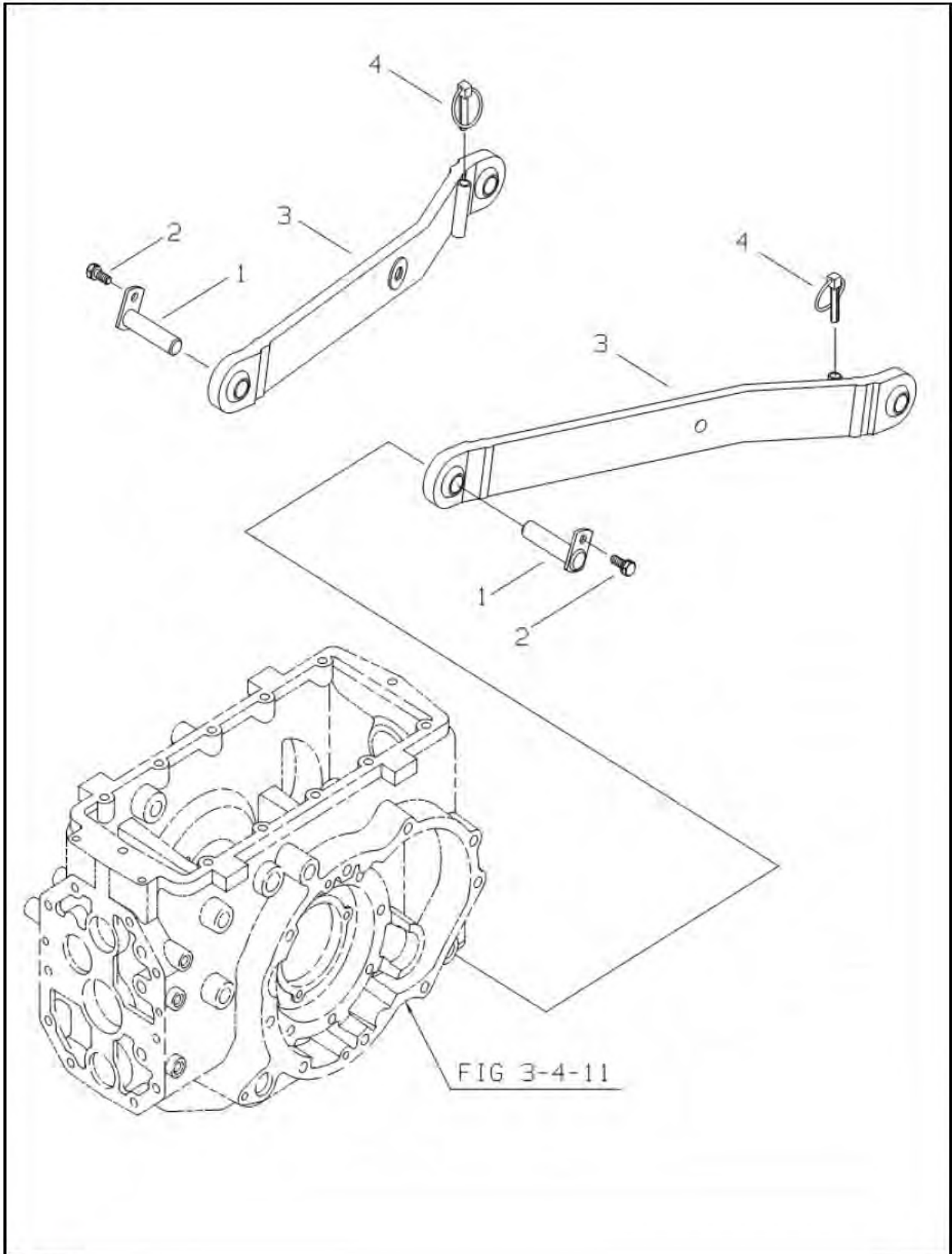
**FIG.8-11**

NO.	PART NO.	PART NAME & DESCRIPTION		QTY		REMARK
				S27	S32	
1	A1896189	PIN, TOP LINK FRONT	φ19	1	1	
2	3A1970091	PIN, SNAP		3	3	
3~8	A1896275	TOP LINK WITH PIN ASSY		1	1	
3~6	3A1896002	TOP LINK ASSY		1	1	
3	3A1896006	END, TOP LINK(F)	M24×3	1	1	
4	3A1970092	NUT, LOCK	M24×3	1	1	
5	2A1896003	TURN BUCKLE	M24×3	1	1	
6	3A1896007	END, TOP LINK	M24×3(CAT1)	1	1	
7	3A1896013	PIN, TOP LINK		1	1	
8	3A1896081	PIN, CLEVIS		1	1	
9	A1896519	BRACKET, HOOK		1	1	
10	A1896336	HOOK, TOP LINK		1	1	
11	S159082533	BOLT, HEX, W.WASHER	M8×1.25×25	2	2	
12	S101143543	BOLT, HEX	M14×2.0×35	4	4	
13	S361140013	WASHER, SPR. 1-TY	Φ25.4×Φ14.2×3.5t	4	4	
14	A1828032	BRACKET, UPPER LINK		1	1	



# LOWER LINK (896)

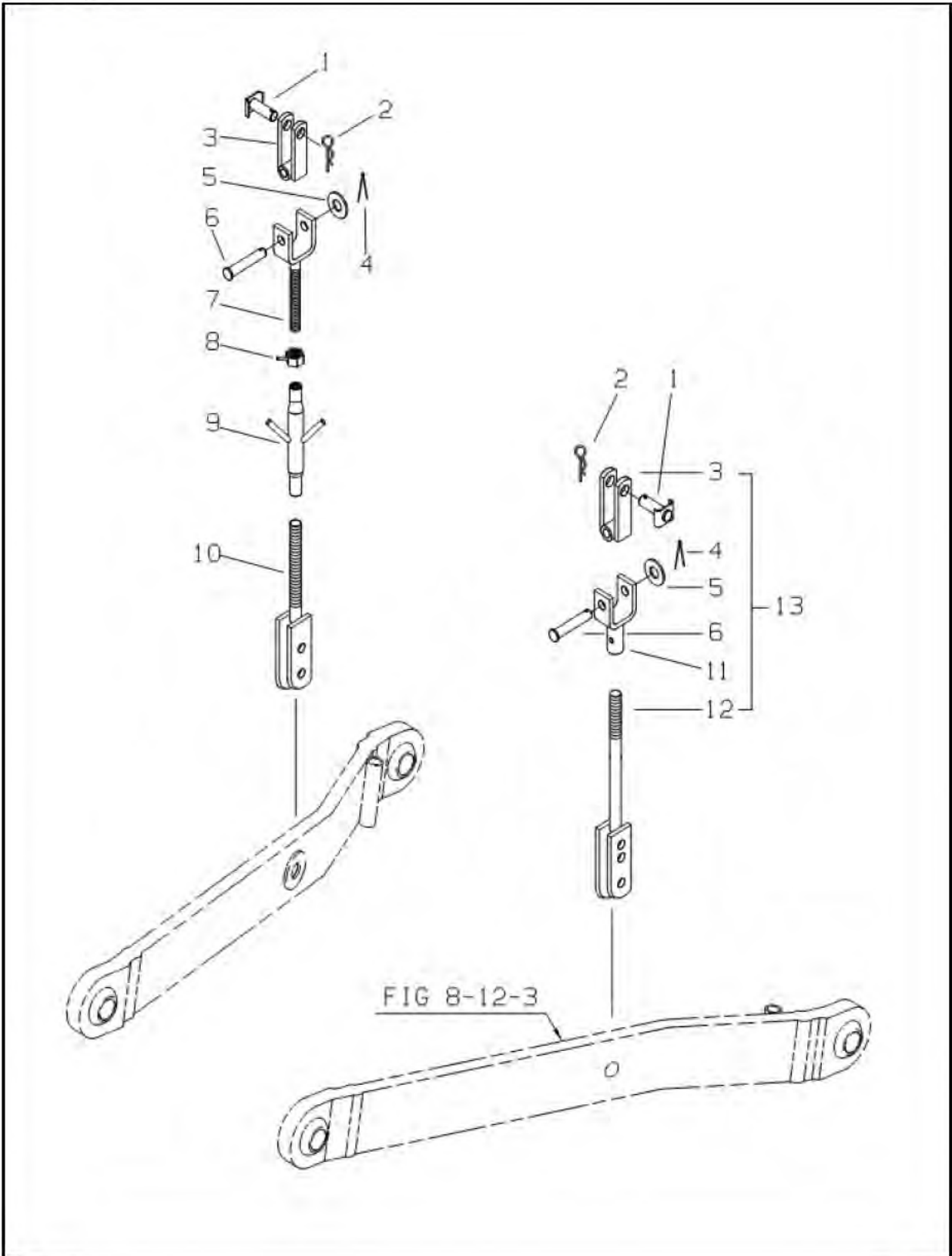
FIG.8-12





# LIFT ROD (896)

FIG.8-13



# LIFT ROD (896)

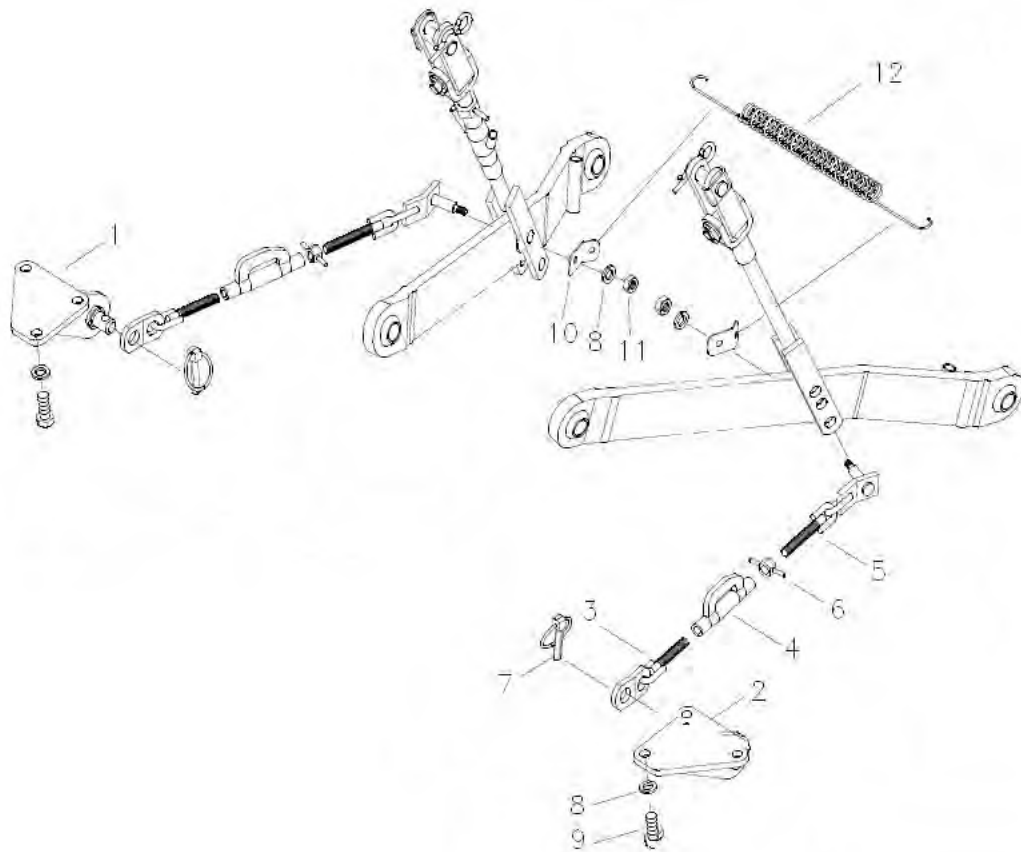
**FIG.8-13**

NO.	PART NO.	PART NAME & DESCRIPTION	QTY		REMARK	
			S27	S32		
1	A1896530	PIN, LIFT ROD UPPER	2	2		
2	3A1970091	PIN, SNAP	2	2		
3~10	A1896091	LIFT ROD ASSY(RH)	1	1		
3	A1896087	JOINT, LIFT ROD	2	2		
4	S441404013	PIN, SPLIT	2	2		
5	S364160013	WASHER, PLAIN	Φ30×Φ17×3t	2	2	
6	A1896090	PIN, LIFT ROD		2	2	
7	A1896092	ROD, UPPER LIFT		1	1	
8	A1896095	NUT		1	1	
9	A1896094	BUCKLE, TURN		1	1	
10	A1896093	ROD, LOWER LIFT		1	1	
11	A1896088	ROD, UPPER LIFT		1	1	
12	A1896089	ROD, LOWER LIFT		1	1	
13	A1896086	LIFT ROD ASSY(LH)		1	1	



# CHECK LINK (896)

FIG.8-14



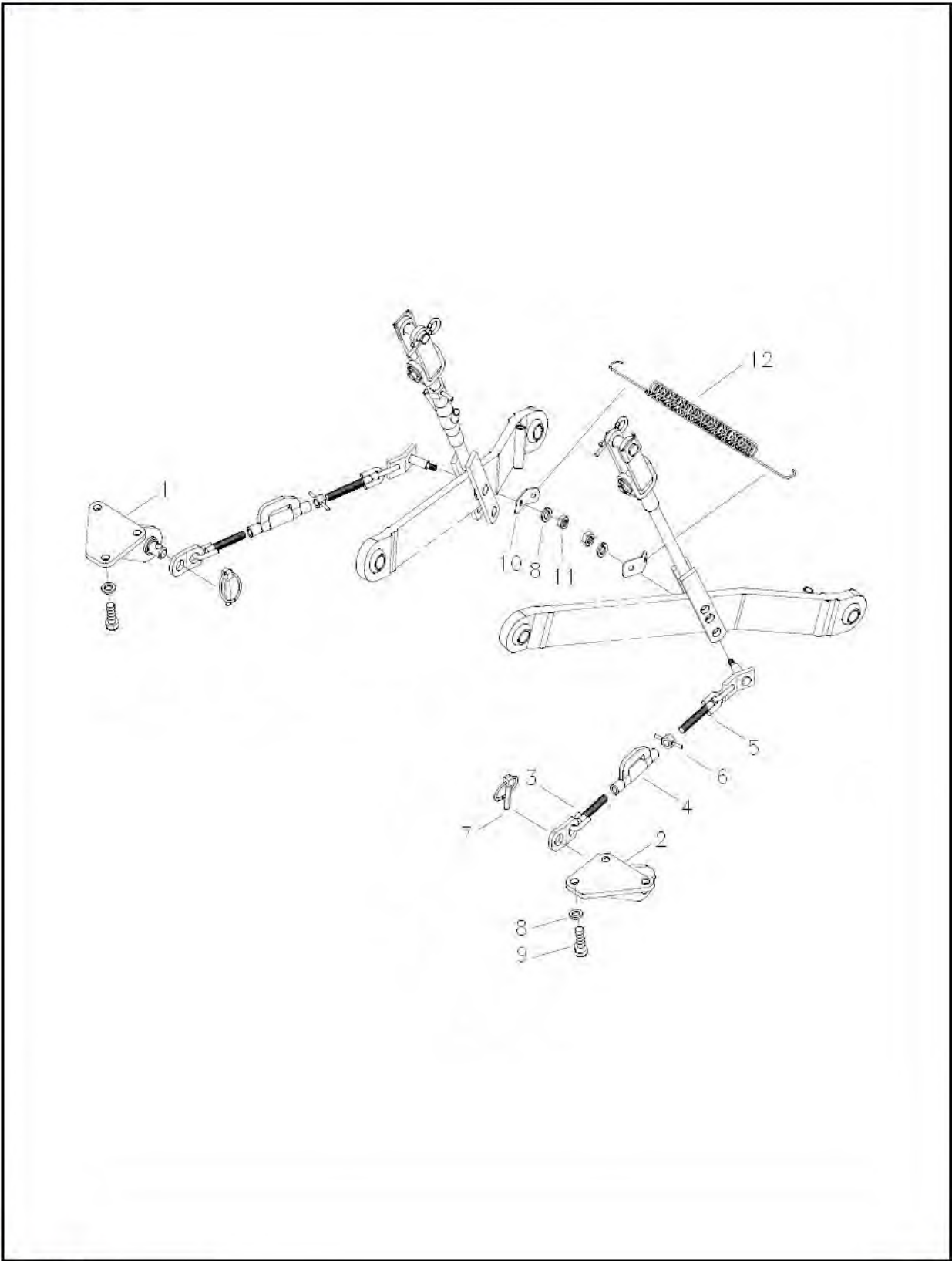
# CHECK LINK (896)

**FIG.8-14**

NO.	PART NO.	PART NAME & DESCRIPTION		QTY		REMARK
				S27	S32	
1	A1896508	BRACKET, CHECK(RH)		1	1	
2	A1896507	BRACKET, CHECK(LH)		1	1	
3~6	A1896471	CHECK, CHAIN ASSY	370~476	2	2	
3	A1896589	CHAIN(F)		2	2	
4	A1896597	BUCKLE, TURN		2	2	
5	A1896536	CHAIN(R)		2	2	
6	S301160013	NUT, HEX. 1-TY.	M16X2.0	2	2	
7	3A1896081	PIN, LINK		2	2	
8	S361140013	WASHER, SPRING	Φ24.5×Φ14.2×3.5t	8	8	
9	S101143543	BOLT, HEX	M14×2.0×35	6	6	
10	A1896333	BRACKET, SPRING		2	2	
11	S314140013	NUT, HEX	M14×1.25	2	2	
12	A1896539	SPRING, LOWER LINK		1	1	

# CHECK LINK (896)

FIG.8-13





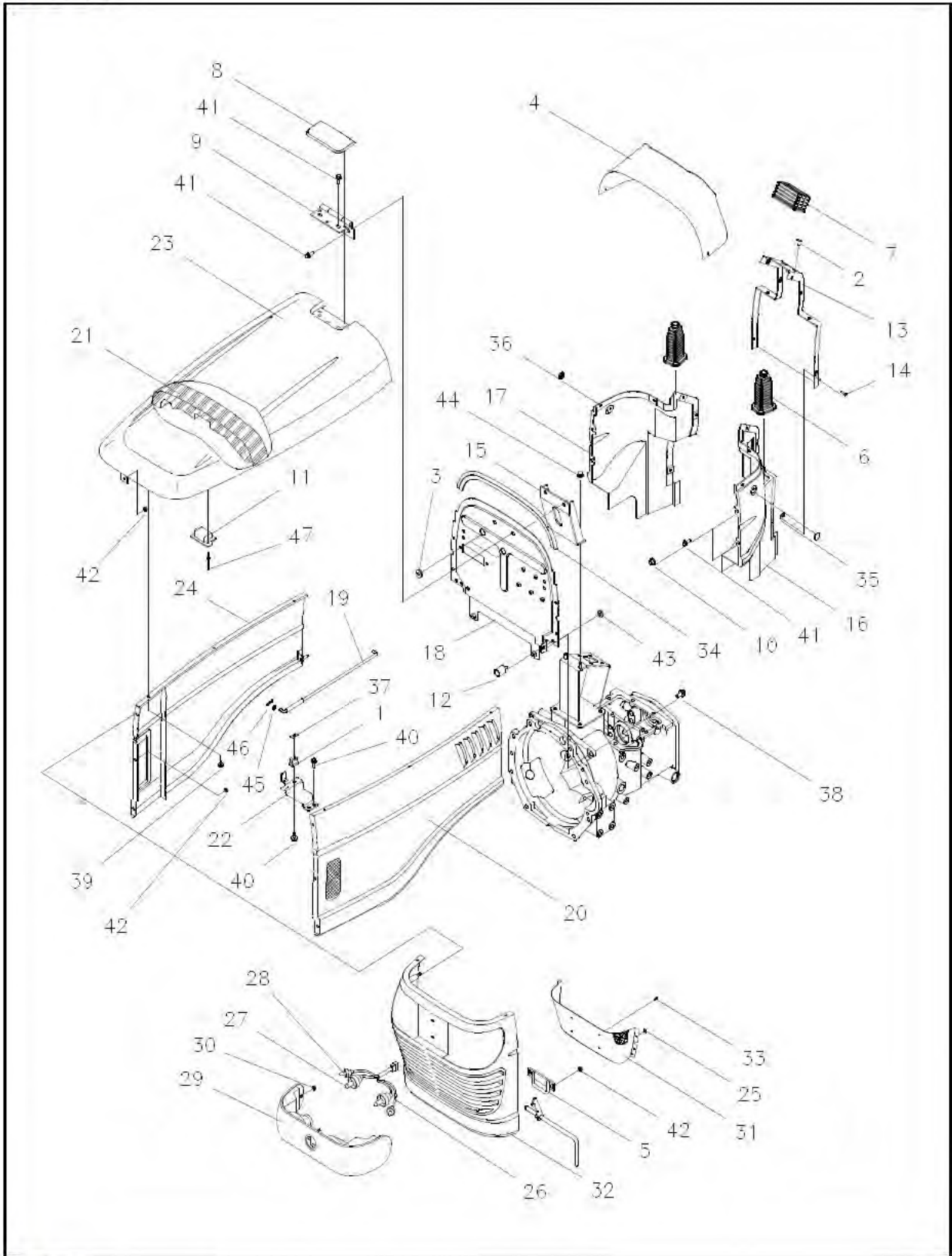
# CHECK LINK (896)

**FIG.8-14**

NO.	PART NO.	PART NAME & DESCRIPTION		QTY		REMARK
				S27	S32	
1	A1822073	BRACKET, CHECK(RH)		1	1	
2	A1896507	BRACKET, CHECK(LH)		1	1	
3~6	A1896471	CHECK, CHAIN ASSY	370~476	2	2	
3	A1896346	CHAIN(F)		2	2	
4	A1896469	BUCKLE, TURN		2	2	
5	A1896470	CHAIN(R)		2	2	
6	A1896349	NUT, LOCK	M14X1.5(LH)	2	2	
7	3A1896081	PIN, LINK		2	2	
8	S361140013	WASHER, SPRING	φ24.5×φ14.2×3.5	8	8	
9	S101143543	BOLT, HEX	M14×2.0×35	6	6	
10	A1896333	BRACKET, SPRING		2	2	
11	S314140013	NUT, HEX	M14×1.25	2	2	
12	A1896539	SPRING, LOWER LINK		1	1	

# HOOD (830)

FIG.9-1A



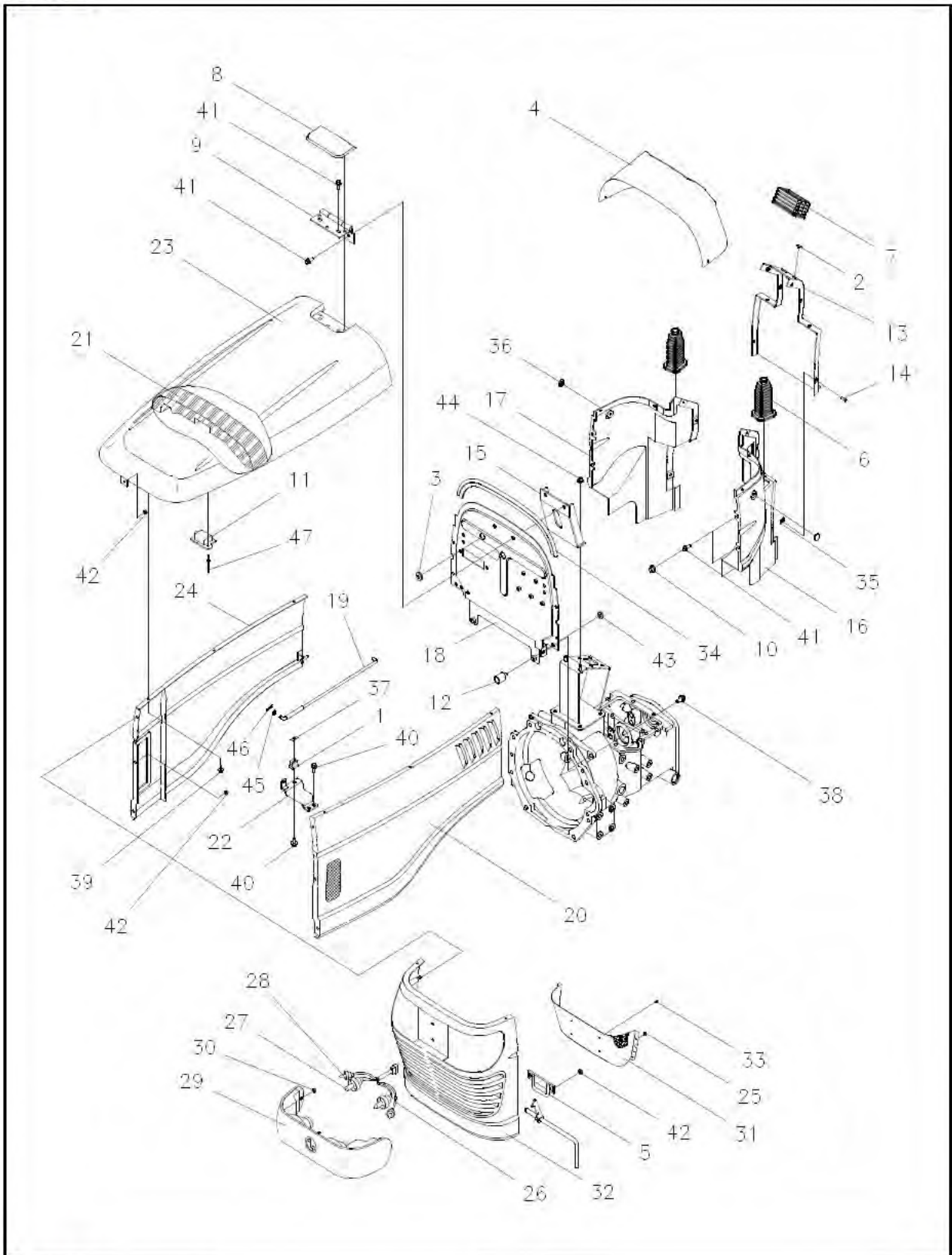
# HOOD (830)

**FIG.9-1A      AG**

NO.	PART NO.	PART NAME & DESCRIPTION	QTY		REMARK
			S27	S32	
1	A0690218	SPRING	1	1	
2	A0710062	CAP	1	1	
3	A0720034	GROMMET	2	2	
4	A1830220	PANEL, BODY(UPPER)	1	1	
5	A1830231	HANGER	1	1	
6	A1830240	COVER, DUST LEVER	2	2	
7	A1830252	COVER, STEERING	1	1	
8	A1830257	COVER, HINGE	1	1	
9	A1830258	HINGE	1	1	
10	A1830283	CAP, BOLT	4	4	
11	A1830286	STOPPER, HOOD SUPPORT	1	1	
12	A1830288	STOPPER, RUBBER	2	2	
13	A1830328	PANEL, BODY(REAR)	1	1	
14	A1830417	SCREW, TP. CRS	12	12	
15	A1830494	BRACKET, HINGE	1	1	
16	A1830495	PANEL, BODY(LH)	1	1	
17	A1830496	PANEL, BODY(RH)	1	1	
18	A1830497	PLATE, HEAT INTERCEPT	1	1	
19	A1830498	ROD, HOOD	1	1	
20	A1830604	COVER, SIDE (LH)	1	1	
21	A1830502	SEAL, RADIATOR AIR	1	1	
22	A1830512	BRACKET, ROD HOOD	1	1	
23	A1830605	HOOD, BONNET	1	1	
24	A1830595	COVER, SIDE (RH)	1	1	
25~33	A1830600	GRILLE ASSY	1	1	
25	A0760137	NUT, SPEED	6	6	
26~29	A1760034	HEAD LAMP ASSY	1	1	
26	A1730075	HARNESS, H/LAMP WIRE	1	1	
27	A1760030	LAMP, HEAD	2	2	
28	A1760031	LAMP, TURN SIGNAL	2	2	
29	A1760032	LENS, HEAD LAMP	1	1	
30	S345060013	NUT, FLANGE B-TY	M6x1.0	4	4
31	A1830242	NET, GRILLE	1	1	
32	A1830601	GRILLE	1	1	
33	S234401613	SCREW, TP. CRS. TRUSS	M4x16	4	4
34	A1970269	WEATHER STRIP	1	1	
35	A1970279	PLATE, LOCK	12	12	
36	A1970303	CAP,RUBBER	2	2	
37	A7200107	BRACKET, SPRING	1	1	
38	S154102533	BOLT, HEX. W/WASHER	M10x1.25x25	2	2
39	S159061633	BOLT, HEX. W/WASHER	M6x1.0x16	8	8
40	S159082033	BOLT, HEX. W/WASHER	M8x1.25x20	3	3
41	S159082533	BOLT, HEX. W/WASHER	M8x1.25x25	8	8
42	S345060013	NUT, FLANGE B-TY.	M6x1.0	9	9
43	S345080013	NUT, FLANGE B-TY.	M8x1.25	2	2

# HOOD (830)

FIG.9-1



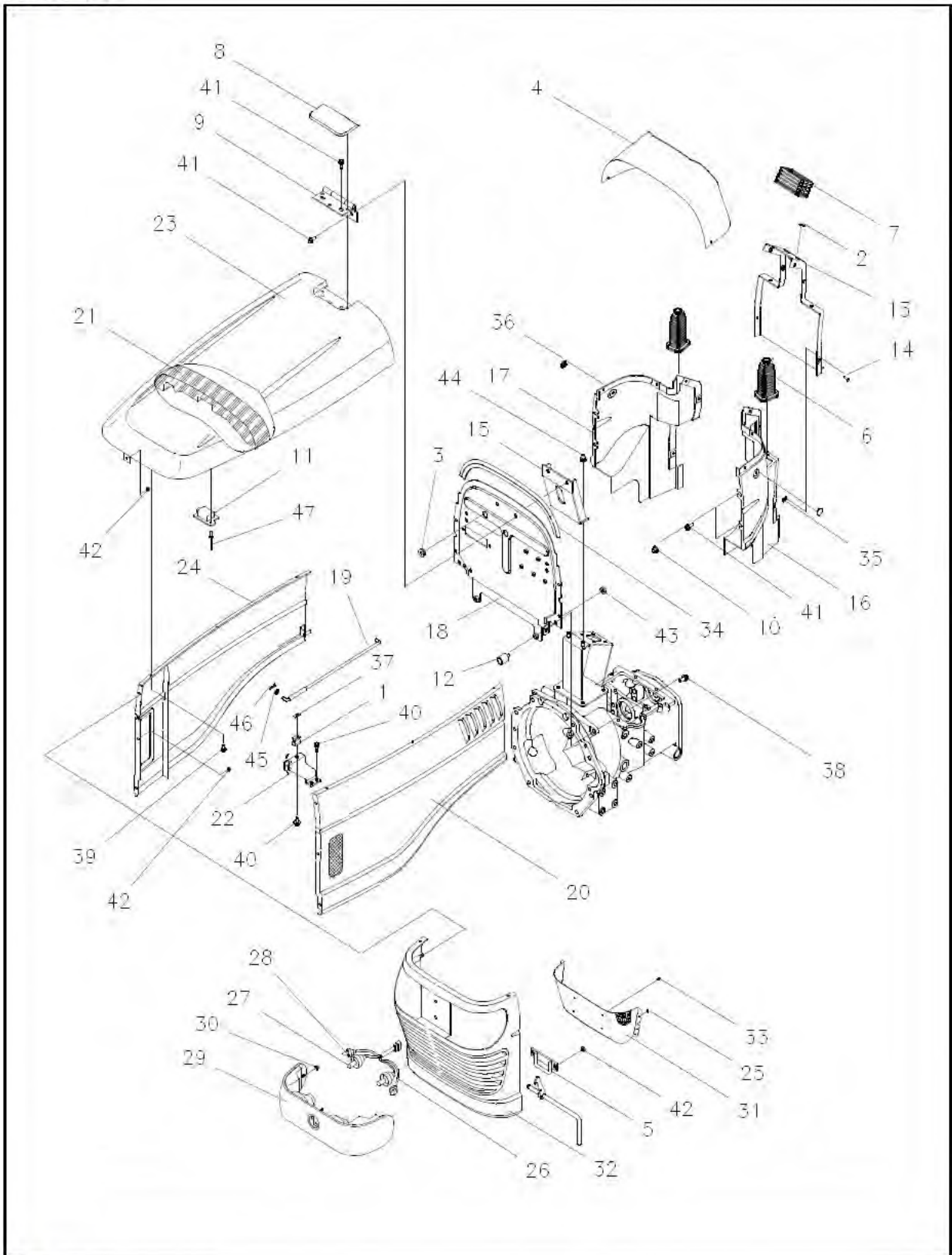
# HOOD (830)

FIG.9-1A

NO.	PART NO.	PART NAME & DESCRIPTION	QTY		REMARK
			S27	S32	
1	A0690218	SPRING	1	1	
2	A0710062	CAP	1	1	
3	A0720034	GROMMET	2	2	
4	A1830220	PANEL, BODY(UPPER)	1	1	
5	A1830231	HANGER	1	1	
6	A1830240	COVER, DUST LEVER	2	2	
7	A1830252	COVER, STEERING	1	1	
8	A1830257	COVER, HINGE	1	1	
9	A1830258	HINGE	1	1	
10	A1830283	CAP, BOLT	4	4	
11	A1830286	STOPPER, HOOD SUPPORT	1	1	
12	A1830288	STOPPER, RUBBER	2	2	
13	A1830328	PANEL, BODY(REAR)	1	1	
14	A1830417	SCREW, TP. CRS	12	12	
15	A1830494	BRACKET, HINGE	1	1	
16	A1830495	PANEL, BODY(LH)	1	1	
17	A1830496	PANEL, BODY(RH)	1	1	
18	A1830497	PLATE, HEAT INTERCEPT	1	1	
19	A1830498	ROD, HOOD	1	1	
20	A1830604	COVER, SIDE (LH)	1	1	
21	A1830502	SEAL, RADIATOR AIR	1	1	
22	A1830512	BRACKET, ROD HOOD	1	1	
23	A1830605	HOOD, BONNET	1	1	
24	A1830595	COVER, SIDE (RH)	1	1	
25~33	A1830600	GRILL ASSY	1	1	
25	A0760137	NUT, SPEED	6	6	
26~29	A1760034	HEAD LAMP ASSY	1	1	
26	A1730075	HARNESS, H/LAMP WIRE	1	1	
27	A1760030	LAMP, HEAD	2	2	
28	A1760031	LAMP, TURN SIGNAL	2	2	
29	A1760032	LENS, HEAD LAMP	1	1	
30	S345060013	NUT, FLANGE B-TY	M6x1.0	4	4
31	A1830242	NET, GRILLE		1	1
32	A1830601	GRILLE		1	1
33	S234401613	SCREW, TP. CRS. TRUSS	M4x16	4	4
34	A1970269	WEATHER STRIP		1	1
35	A1970279	PLATE, LOCK		12	12
36	A1970303	CAP,RUBBER		2	2
37	A7200107	BRACKET, SPRING		1	1
38	S154102533	BOLT, HEX. W/WASHER	M10x1.25x25	2	2
39	S159061633	BOLT, HEX. W/WASHER	M6x1.0x16	8	8
40	S159082033	BOLT, HEX. W/WASHER	M8x1.25x20	3	3
41	S159082533	BOLT, HEX. W/WASHER	M8x1.25x25	8	8
42	S345060013	NUT, FLANGE B-TY.	M6x1.0	9	9
43	S345080013	NUT, FLANGE B-TY.	M8x1.25	2	2

# HOOD (830)

FIG.9-1A



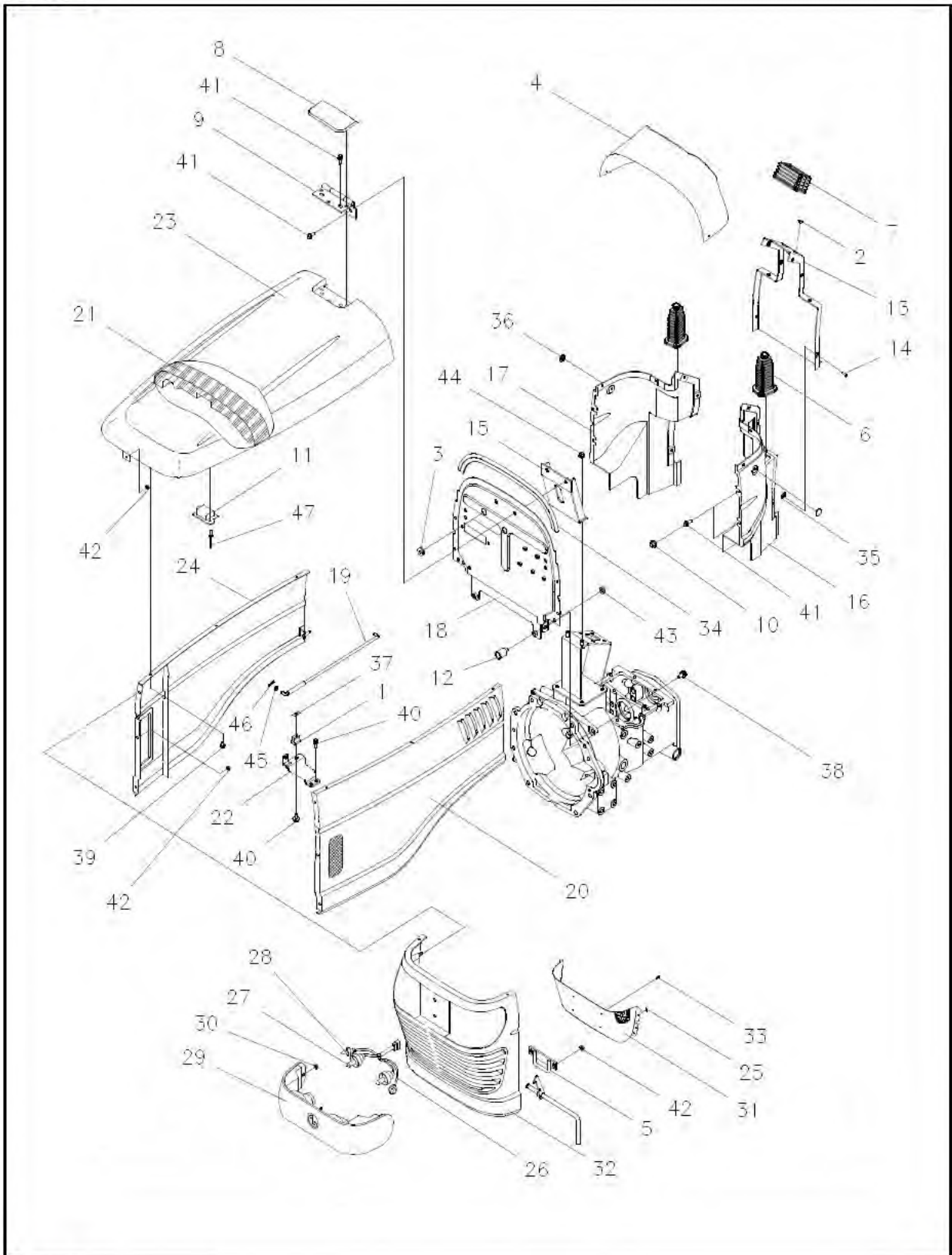
# HOOD (830)

**FIG.9-1A      AG**

NO.	PART NO.	PART NAME & DESCRIPTION		QTY		REMARK
				S27	S32	
44	S346100013	NUT, FLANGE B-TY.	M10x1.25	2	2	
45	S363080013	WASHER, PLN. S-RD.	Φ15.5xΦ8.4x1.6t	1	1	
46	S443080013	PIN, SNAP A-TY.	Φ8	1	1	
47	S466321010	RIVET, BLIND	Φ3.2X10	2	2	

# HOOD (830)

FIG.9-1





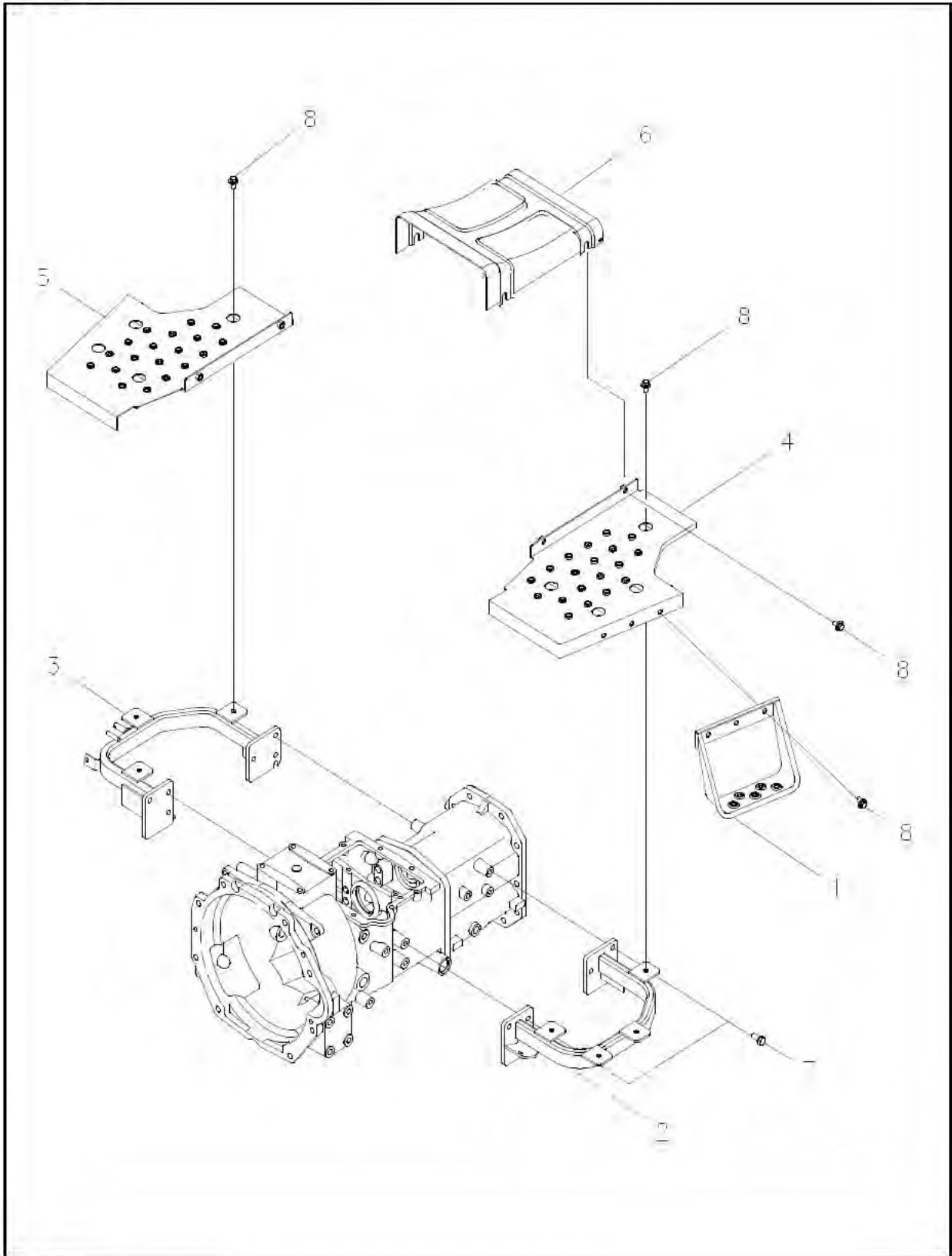
# HOOD (830)

**FIG.9-1A**

NO.	PART NO.	PART NAME & DESCRIPTION		QTY		REMARK
				S27	S32	
44	S346100013	NUT, FLANGE B-TY.	M10x1.25	2	2	
45	S363080013	WASHER, PLN. S-RD.	Φ15.5xΦ8.4x1.6t	1	1	
46	S443080013	PIN, SNAP A-TY.	Φ8	1	1	
47	S466321010	RIVET, BLIND	Φ3.2X10	2	2	

# STEP (840)

FIG.9-2A



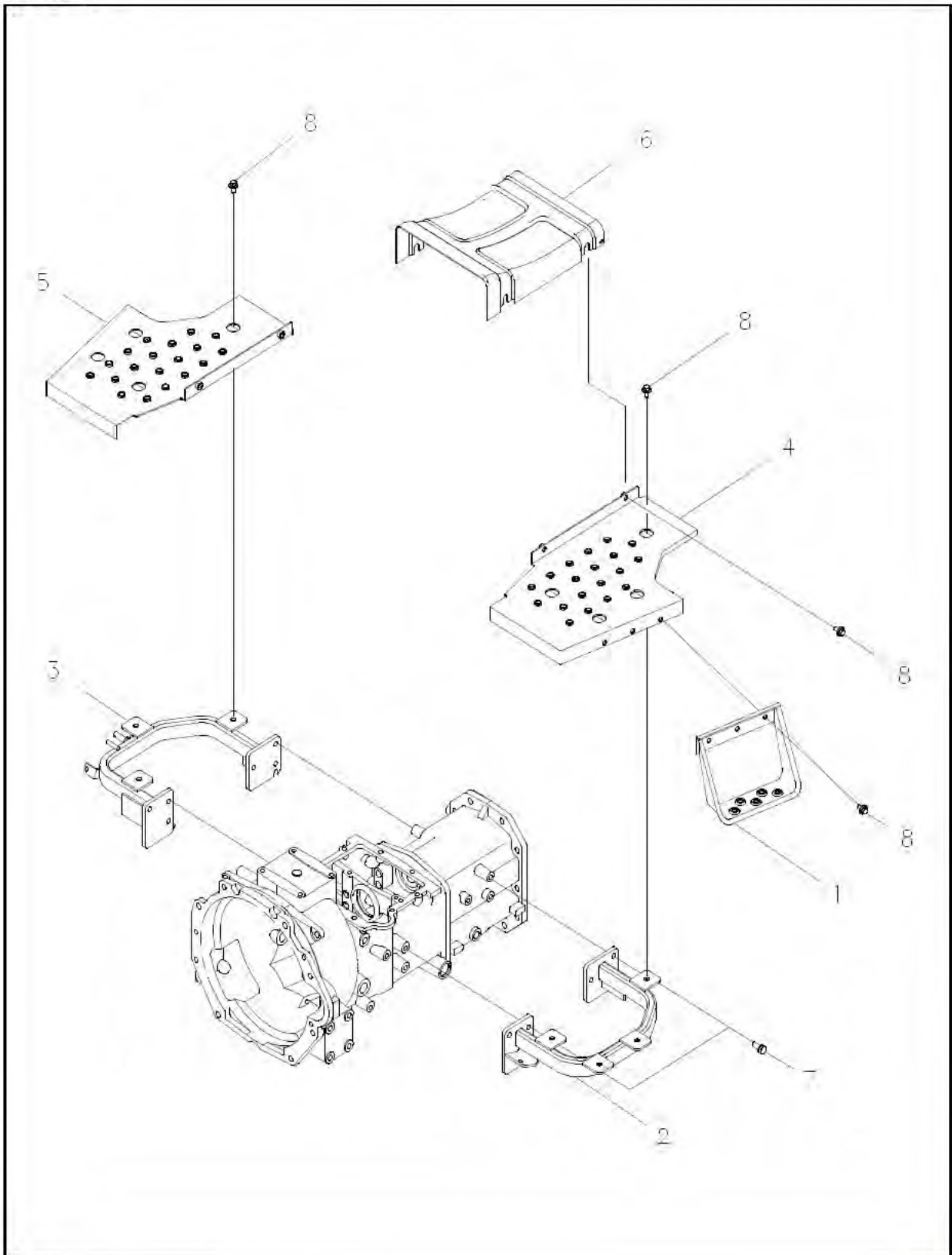
# STEP (840)

**FIG.9-2A      AG**

NO.	PART NO.	PART NAME & DESCRIPTION		QTY		REMARK
				S27	S32	
1	A1840164	SUB STEP		1		
2	A1840194	FRAME, STEP LH		1		
3	A1840195	FRAME, STEP RH		1		
4	A1840269	STEP, LH		1		
5	A1840270	STEP, RH		1		
6	A1840271	COVER, T/M CASE		1		
7	S154102533	BOLT, HEX. W/WASHER	M10x1.25x25	12		
8	S159082033	BOLT, HEX. W/WASHER	M8x1.25x20	14		

# STEP (840)

FIG.9-2



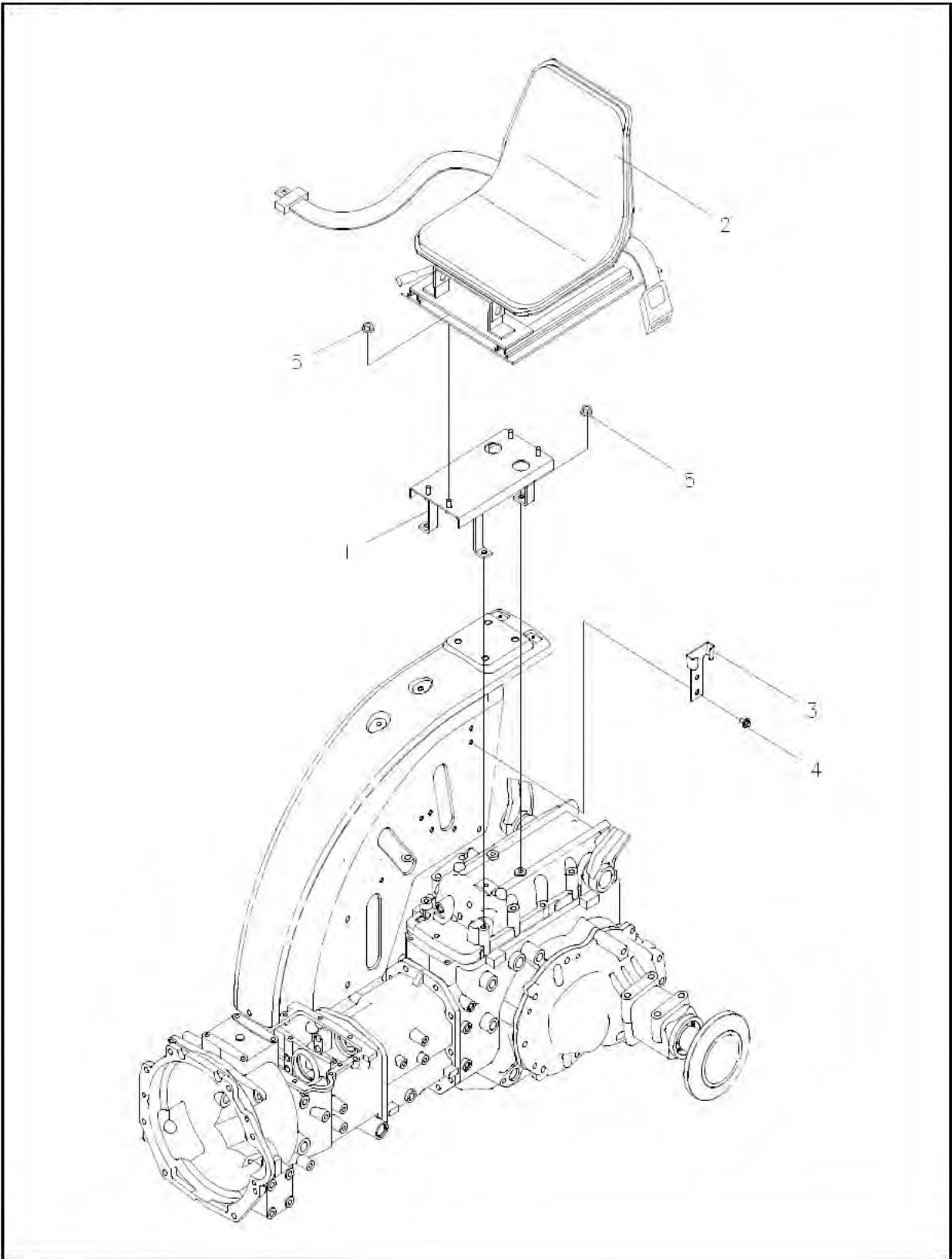
# STEP (840)

**FIG.9-2A**

NO.	PART NO.	PART NAME & DESCRIPTION		QTY		REMARK
				S27	S32	
1	A1840164	SUB STEP		1		
2	A1840194	FRAME, STEP LH		1		
3	A1840195	FRAME, STEP RH		1		
4	A1840269	STEP, LH		1		
5	A1840270	STEP, RH		1		
6	A1840271	COVER, T/M CASE		1		
7	S154102533	BOLT, HEX. W/WASHER	M10x1.25x25	12		
8	S159082033	BOLT, HEX. W/WASHER	M8x1.25x20	14		

# SEAT ASSY (850)

FIG.9-3



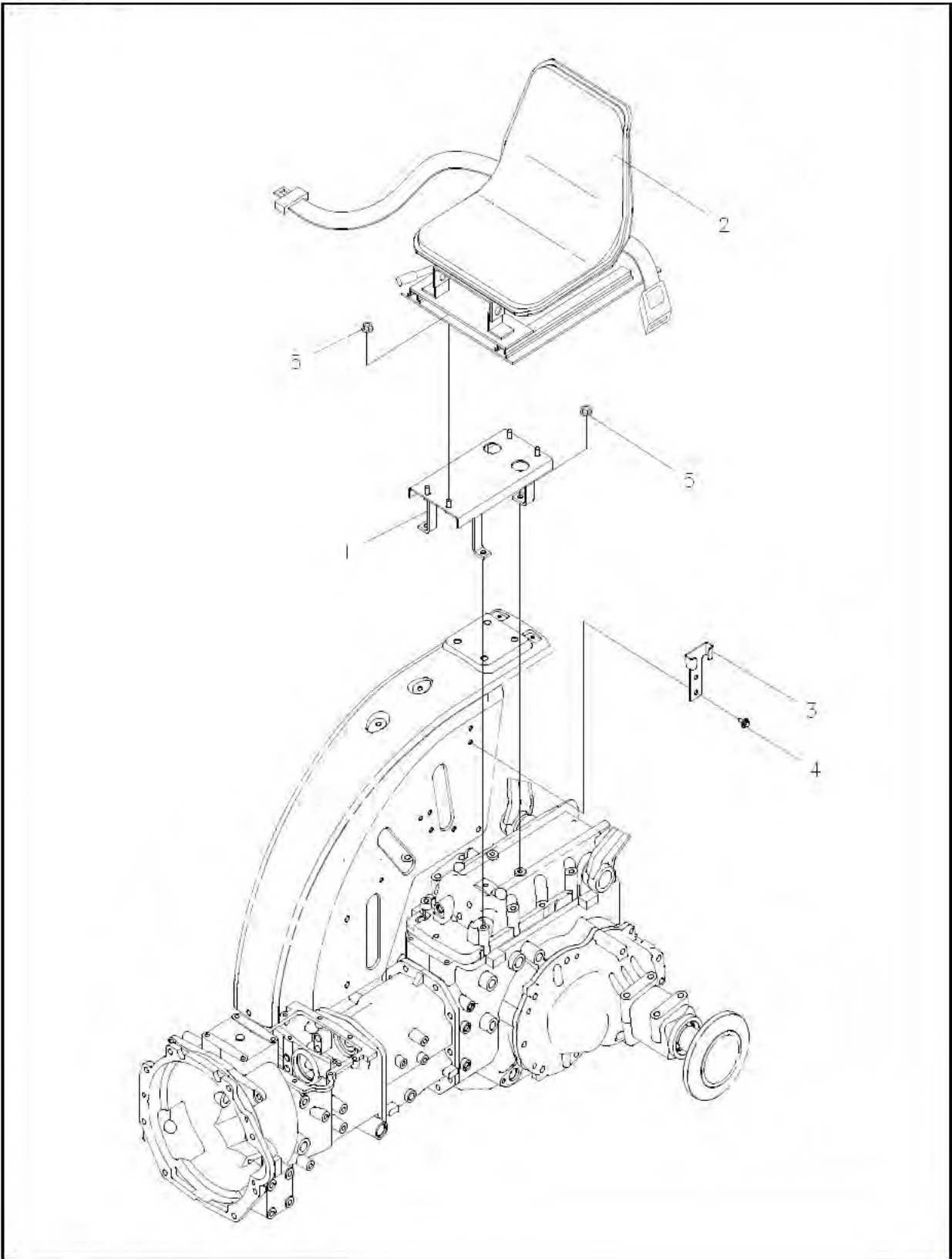
# SEAT ASSY (850)

**FIG.9-3**

NO.	PART NO.	PART NAME & DESCRIPTION		QTY		REMARK
				S27	S32	
1	A1850231	BRACKET, SEAT		1	1	
2	A1850248	SEAT ASSY (W/SEAT BELT)		1	1	
2-1	A1850252	SEAT		1	1	
3	A1850237	REST, SEAT BELT		1	1	
4	S159082033	BOLT, HEX. W/WASHER	M8x1.25x20	2	2	
5	S346100013	NUT, FLANGE B-TY.	M10x1.25	6	6	

# SEAT ASSY (850)

FIG.9-3





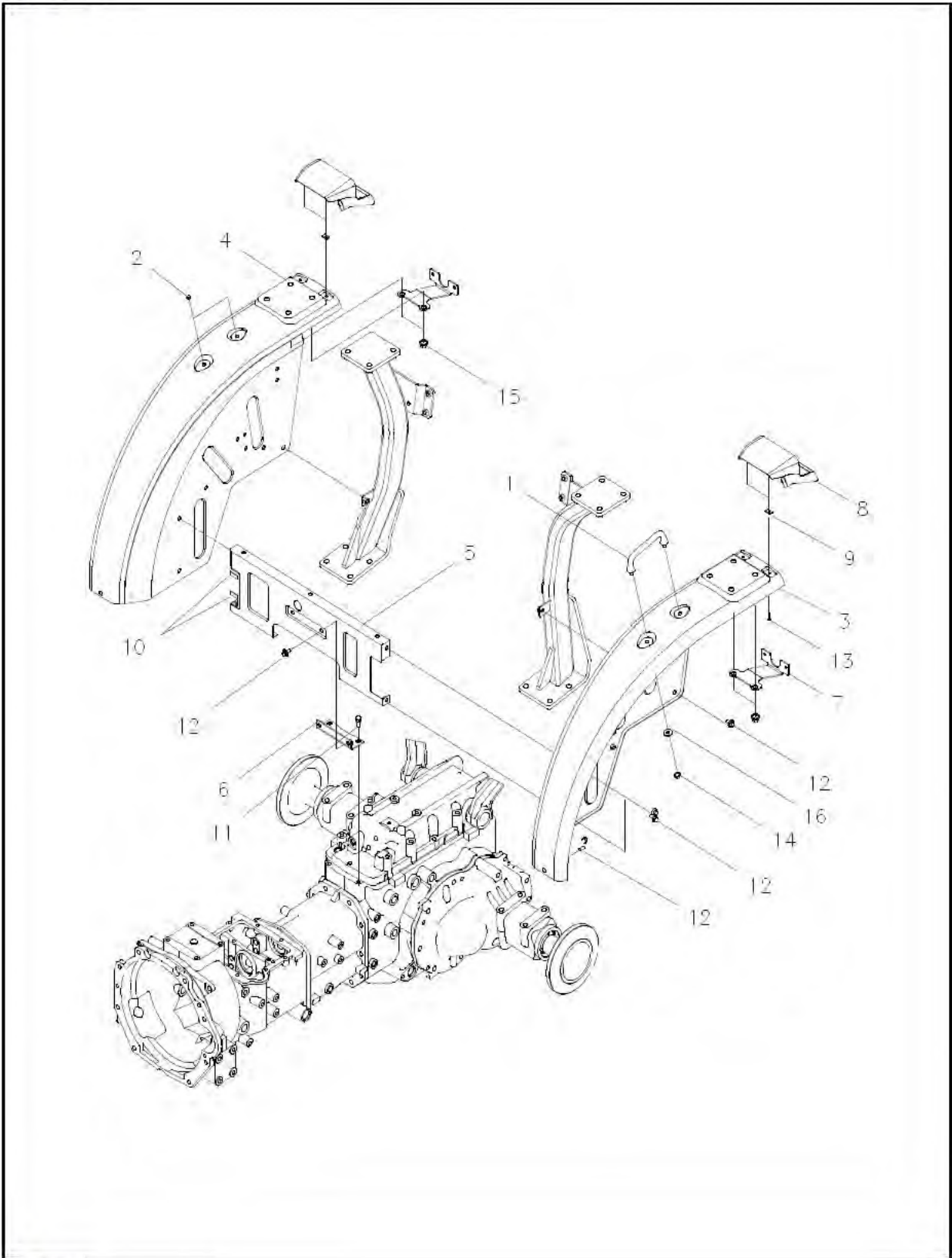
# SEAT ASSY (850)

**FIG.9-3**

NO.	PART NO.	PART NAME & DESCRIPTION		QTY		REMARK
				S27	S32	
1	A1850231	BRACKET, SEAT		1	1	
2	A1850236	SEAT ASSY (W/SEAT BELT)		1	1	
3	A1850237	REST, SEAT BELT		1	1	
4	S159082033	BOLT, HEX. W/WASHER	M8x1.25x20	2	2	
5	S346100013	NUT, FLANGE B-TY.	M10x1.25	6	6	

# FENDER (870)

FIG.9-4A



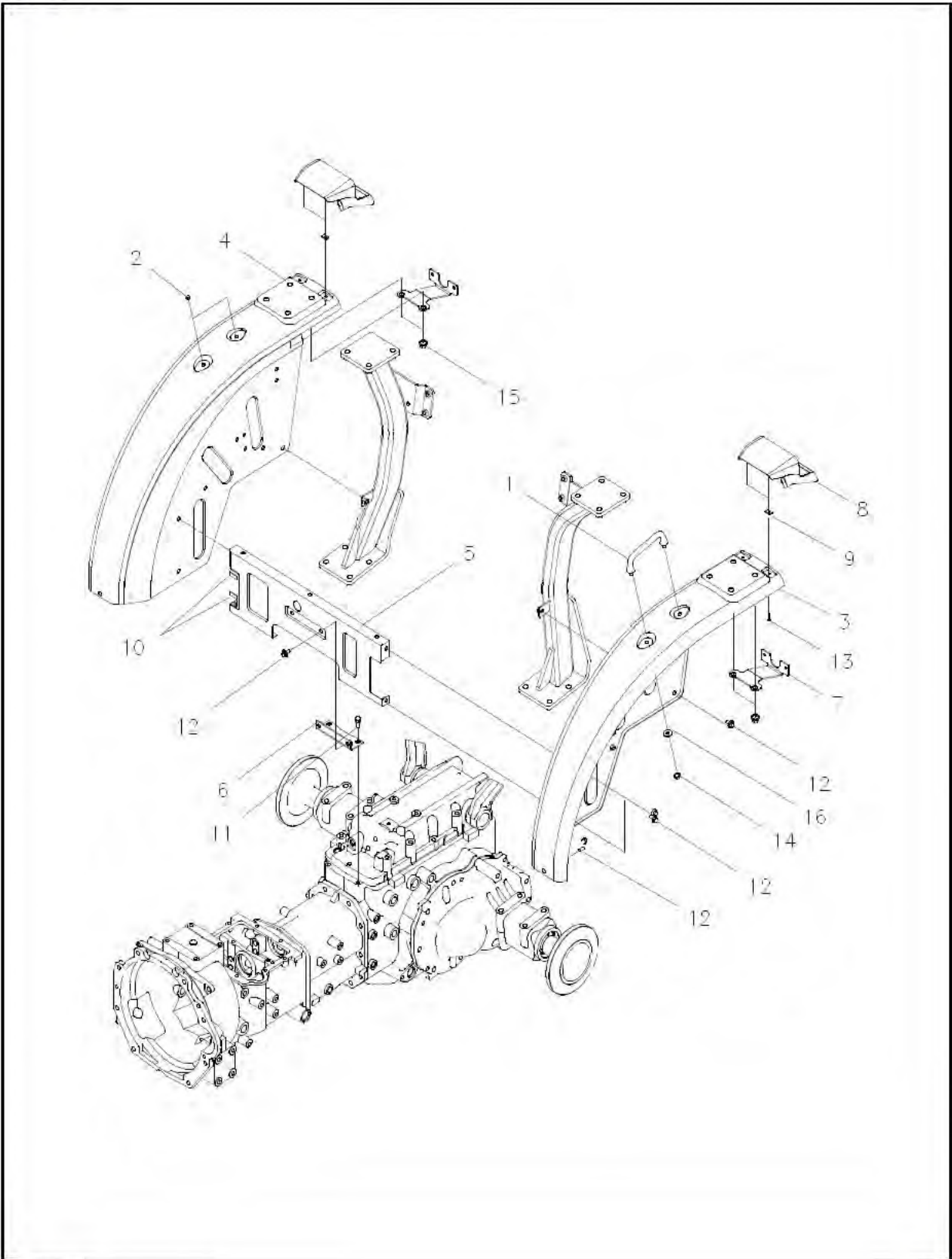
# FENDER (870)

**FIG.9-4A      AG**

NO.	PART NO.	PART NAME & DESCRIPTION	QTY		REMARK
			S27	S32	
1	3A1870006	RAIL, HAND	1	1	
2	A0610083	PLUG	2	2	
3	A1870423	FENDER, LH	1	1	
4	A1870424	FENDER, RH	1	1	
5	A1870425	COVER, CENTER	1	1	
6	A1870366	BRACKET, CENTER COVER	1	1	
7	A1870370	BRACKET, MUD GUARD	2	2	
8~9	A1870396	MUD GUARD ASSY	2	2	
8	A1870365	GUARD, MUD REAR	1	1	
9	A1970279	PLATE, LOCK	2	2	
10	A1970346	WEATHER, STRIP	2	2	
11	S154102033	BOLT, HEX. W/WASHER	M10x1.25x20	2	2
12	S159082033	BOLT, HEX. W/WASHER	M8x1.25x20	10	10
13	S234501611	SCREW, TP. CRS		4	4
14	S345080013	NUT, FLANGE B-TY.	M8x1.25	2	2
15	S345120013	NUT, FLANGE B-TY.	M12x1.75	4	4
16	S365082613	WASHER, PLN. L-RD.	Φ26xΦ8.4x2.5t	2	2

# FENDER (870)

FIG.9-4



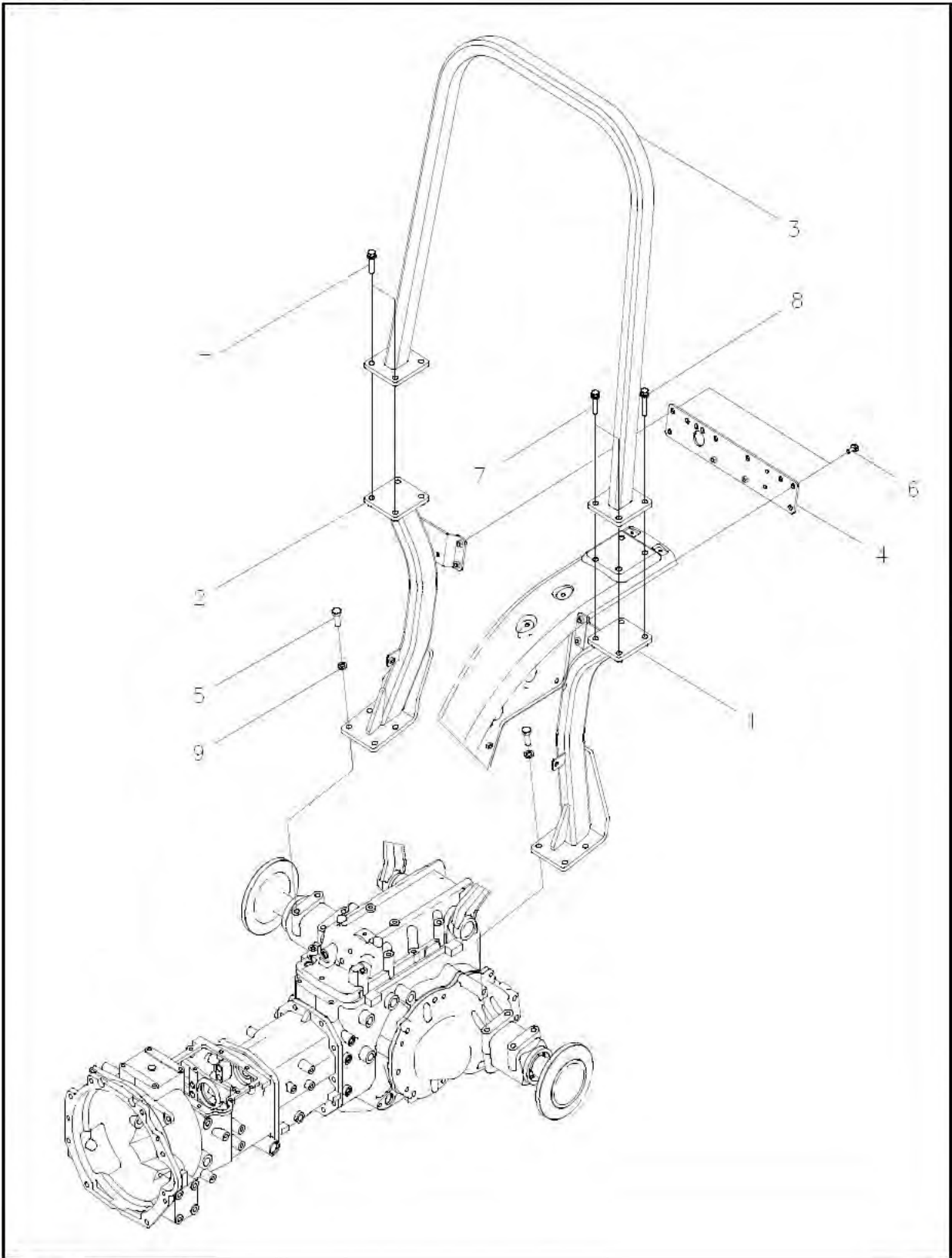
# FENDER (870)

**FIG.9-4A**

NO.	PART NO.	PART NAME & DESCRIPTION	QTY		REMARK
			S27	S32	
1	3A1870006	RAIL, HAND	1	1	
2	A0610083	PLUG	2	2	
3	A1870423	FENDER, LH	1	1	
4	A1870424	FENDER, RH	1	1	
5	A1870425	COVER, CENTER	1	1	
6	A1870366	BRACKET, CENTER COVER	1	1	
7	A1870370	BRACKET, MUD GUARD	2	2	
8~9	A1870396	MUD GUARD ASSY	2	2	
8	A1870365	GUARD, MUD REAR	1	1	
9	A1970279	PLATE, LOCK	2	2	
10	A1970346	WEATHER, STRIP	2	2	
11	S154102033	BOLT, HEX. W/WASHER	M10x1.25x20	2	2
12	S159082033	BOLT, HEX. W/WASHER	M8x1.25x20	10	10
13	S234501611	SCREW, TP. CRS		4	4
14	S345080013	NUT, FLANGE B-TY.	M8x1.25	2	2
15	S345120013	NUT, FLANGE B-TY.	M12x1.75	4	4
16	S365082613	WASHER, PLN. L-RD.	Φ26xΦ8.4x2.5t	2	2

# SAFETY FRAME (880)

FIG.9-5





PART NAME	PART NO.	FIG. NO.
TURN BUCKLE	2A1896003	8-10-5
SPRING	3A1100008	2-2-7
PLUG, DRAIN	3A1250013	3-2-5
PLUG, DRAIN	3A1250013	3-4-9
STRUT	3A1281020	11-3-22
STRUT	3A1281020	3-5-23
SPRING	3A1281021	11-3-20
SPRING	3A1281021	3-5-21
CAP, RAIL	3A1290009	3-10-21
SPRING	3A1290011	3-10-11
SPRING	3A1290011	3-11-5
WASHER, THRUST(LH)	3A1324003	4-1-12
HUB, DIFF-LOCK	3A1324007	4-1-17
WASHER, LOCK	3A1324012	4-1-3
ROLLER	3A1324014	4-1-14
SCREW	3A1326005	4-2-3
DIFF. LOCK FORK ASSY	3A1326013	4-2-16
BREATHER, AIR	3A1400004	5-2-27
BALL	3A1653007	4-5-2
SPRING	3A1653010	4-5-1
COLLAR	3A1821004	8-2-7
BUSHING, HYD. LIFT SHAFT	3A1821005	8-2-5
BUSHING, LIFT ARM	3A1821007	8-2-10
ROLLER	3A1822006	8-3-5
LINK, E	3A1822010	8-3-11
LINK, B	3A1824003	8-6-7
RAIL, HAND	3A1870006	9-4-1
TOP LINK ASSY	3A1896002	8-10-3~6
END, TOP LINK(F)	3A1896006	8-10-3
END, TOP LINK	3A1896007	8-10-6
PIN, TOP LINK	3A1896013	8-10-7
PIN, LIFT ROD	3A1896058	8-12-1
PIN, CLEVIS	3A1896081	8-10-8
PIN, LINK	3A1896081	8-11-4
PIN, LINK	3A1896081	8-13-7
PLUG, TAPER	3A1970051	5-2-26
PLUG, TAPER	3A1970052	5-2-29
PLUG, TAPER	3A1970052	5-3-6
PLUG, TAPER	3A1970052	5-5-16
PLUG	3A1970068	3-2-3
NIPPLE, GREASE	3A1970069	5-3-18
PIN, SNAP	3A1970091	8-10-2
PIN, SNAP	3A1970091	8-12-2
PIN, SNAP	3A1970091	8-9-4
NUT, LOCK	3A1970092	8-10-4
WASHER, THRUST	3A1970122	4-1-11
WASHER, THRUST	3A1970123	4-1-8
BEARING, NDDELE	3A1970157	11-3-17
BEARING, NDDELE	3A1970157	3-5-18
COVER, SAFETY	A05171520	11-5-17
COVER, SAFETY	A05171520	3-8-18
PLUG	A0610083	9-4-2
NUT, HEX	A0610262	4-6-14
PLUG, DRAIN	A0610281	3-4-15
BAND, WIRE	A0640009	7-1-7
CLAMP	A0640015	7-1-8
BAND, WIRE	A0640028	7-1-6
CLAMP	A0640103	7-1-5
SEAL, OIL	A0651201	11-4-2



SEAL, OIL	A0651256	3-9-2
SEAL, OIL	A0651353	11-5-12
SEAL, OIL	A0651353	3-8-13
SEAL, OIL	A0651353	5-2-13
SEAL, OIL	A0651402	11-1-9
SEAL, OIL	A0651402	11-3-1
SEAL, OIL	A0653231	3-5-1
LINER	A0660425	5-2-4
LINER	A0660427	5-2-5
BEARING, THRUST	A0670143	5-3-21
BEARING, TAPER ROLLER	A0670156	5-2-11
BUSHING, DU	A0677525	3-2-6
BUSHING, DU	A0677815	4-5-11
BUSHING, DU	A0677825	5-3-15
BUSHING, DU	A0678025	3-1-6
BUSHING, DU	A0678330	5-2-32
BUSHING, DU	A0678330	5-3-20
BUSHING, DU	A0678640	5-2-18
SPRING	A0690218	9-1-1
GRIP	A0710037	2-2-9
GRIP	A0710037	2-6-11
CAP	A0710062	9-1-2
GROMMET	A0720034	9-1-3
HOSE, FUEL	A072E250	2-1-1
FUSE	A0751005	7-3-19
FUSE	A0751006	7-3-20
FUSE	A0751007	7-3-21
NUT, SPEED	A0760137	9-1-25
BEARING, BALL	A0860050	3-6-2
BEARING, BALL	A0860050	3-9-3
BEARING, BALL	A0860060	3-5-2
BEARING, BALL	A0860060	8-5-4
BEARING, BALL	A0860080	11-3-2
BEARING, BALL	A0860080	3-5-4
BEARING, BALL	A0860090	4-3-8
BEARING, BALL	A0860090	5-2-3
BEARING, BALL	A0862040	11-4-7
BEARING, BALL	A0862040	11-5-2
BEARING, BALL	A0862040	3-6-5
BEARING, BALL	A0862040	3-8-2
BEARING, BALL	A0862040	3-9-7
BEARING, BALL	A0862050	11-3-14
BEARING, BALL	A0862050	3-5-15
BEARING, BALL	A0862050	3-7-4
BEARING, BALL	A0862070	11-5-7
BEARING, BALL	A0862070	3-8-7
BEARING, BALL	A0862070	5-5-19
BEARING, BALL	A0862080	4-3-17
BEARING, BALL	A0862100	4-2-8
BEARING, BALL	A0863040	11-3-30
BEARING, BALL	A0863040	3-5-31
BEARING, BALL	A0863050	3-7-7
BEARING, BALL	A0863050H1	11-5-4
BEARING, BALL	A0863050H1	3-8-4
BEARING, BALL	A0863060H1	5-5-2
BEARING, BALL	A0863070	4-3-16
BEARING, BALL	A0868040	11-3-7
BEARING, BALL	A0868040	11-4-3
BEARING, BALL	A0868040	3-5-8
LINER	A0870431	3-7-13
LINER	A0870432	3-7-14

LINER	A0870451	3-7-19
LINER	A0870451	5-5-21
LINER	A0870452	3-7-20
LINER	A0870455	5-5-22
LINER	A0870461	5-5-11
LINER	A0870465	5-5-12
LINER	A0870601	5-2-9
LINER	A0870601	5-3-11
LINER	A0870601	5-5-4
LINER	A0870605	5-2-8
LINER	A0870605	5-3-12
LINER	A0870605	5-5-5
LINER	A0870608	5-3-13
SEAL	A10263360	3-2-4
SEAL	A10263360	3-4-10
SEAL	A10263360	3-4-14
STRAINER, FUEL TANK	A1040052	2-1-2
HOSE, FUEL SUCTION	A1040074	2-1-13
HOSE, FUEL	A1040075	2-1-14
SPONGE	A1040088	2-1-3
CAP, FUEL TANK	A1040111	2-1-4
COCK,FUEL TANK	A1040127	2-1-15
BRACKET, FUEL FILTER	A1040214	2-1-17
FUEL TANK ASSY	A1040215	2-1-1~12
TANK, FUEL	A1040216	2-1-5
BAND, FUEL TANK	A1040217	2-1-6
GAGE, FUEL TANK	A1040218	2-1-7
SPONGE, FUEL TANK	A1040220	2-1-8
SPONGE, FUEL TANK	A1040221	2-1-9
SPONGE, FUEL TANK	A1040222	2-1-10
WIRE, ACCE. LEVER	A1100054	2-2-1
PEDAL, ACCELERATOR	A1100096	2-2-4
WIRE, ACCELERATOR PEDAL	A1100103	2-2-8
GASKET, MUFFLER	A1151125	2-3-2
MUFFLER ASSY	A1151139	2-3-1
SHROUD, FAN	A1170196	2-4-6
RADIATOR	A1170223	2-4-1
HOSE, UPPER	A1170231	2-4-11
HOSE, LOWER	A1170232	2-4-13
NET,FRONT	A1170233	2-4-9
PLATE, WING	A1170234	2-4-4
BRACKET, RADIATOR	A1170238	2-4-7
WEATHER STRIP	A1170253	2-4-5
WEATHER STRIP	A1170254	2-6-10
HOSE, B AIR INTAKE	A1190155	2-5-7
HOSE, A AIR INTAKE	A1190156	2-5-5
BAND, AIR CLEANER	A1190158	2-5-2
BRACKET, AIR CLEANER	A1190159	2-4-10
AIR CLEANER ASSY	A1190160	2-5-1
PIPE, INTERMEDIATE	A1190161	2-5-6
PLATE, BOTTOM	A1210111	2-6-7
HOOK, GRILLE	A1210112	2-6-2
FRAME, ENGINE	A1210113	2-6-1
LEVER, CLUTCH SHIFT	A1250045	3-1-12
BOLT, LOCKING	A1250047	3-1-13
PLUG, AIR BENT	A1250049	8-1-5
BEARING, RELEASE	A1250056	11-1-2
BEARING, RELEASE	A1250062	3-1-5
HUB, RELEASE BRG.	A1250071	11-1-3
HUB ASSY, RELEASE BRG.	A1250095	11-1-3~4
PIN, SPLIT	A1250123	3-2-2

HOUSING, CLUTCH	A1250128	3-2-1
COVER, MAIN SHAFT(SINGLE)	A1250129	3-1-8
COVER, MAIN SHAFT(DUAL)	A1250130	11-1-5
HUB, RELEASE BEARING	A1250131	3-1-7
CLUTCH, ASSY	A1250132	3-1-1-2
CLUTCH DISK ASSY	A1250135	3-1-1
CLUTCH COVER ASSY	A1250136	3-1-2
HUB ASSY, RELEASE BRG.	A1250137	3-1-6~7
COVER, CLUTCH HSG.	A1250151	3-2-11
CLUTCH, ASSY	A1250152	11-1-1
SHAFT, MAIN DRVN	A1251590	11-3-35
SHAFT, MAIN DRVN	A1251590	3-5-36
LINK, CLUTCH	A1260069	11-2-8
LINK, CLUTCH	A1260069	3-3-8
LINK, CLUTCH	A1260069	4-6-11
ADJUSTER	A1260073	4-6-17
ADJUSTER, CONTROL	A1260078	11-2-10
ADJUSTER, CONTROL	A1260078	3-3-10
ADJUSTER, CONTROL	A1260078	4-6-13
CLUTCH ROD ASSY	A1260089	11-2-8~11
CLUTCH ROD ASSY	A1260089	3-3-8~11
ROD, CLUTCH	A1260090	11-2-11
ROD, CLUTCH	A1260090	3-3-11
PEDAL, CLUTCH	A1260091	3-3-1
SHAFT, CLUTCH LEVER	A1260092	3-2-13
STOPPER, CLUTCH PEDAL	A1260093	11-2-14
STOPPER, CLUTCH PEDAL	A1260093	3-3-14
HOOK, PEDAL	A1260106	11-2-13
HOOK, PEDAL	A1260106	3-3-13
PEDAL, CLUTCH(DUAL)	A1260108	11-2-1
SPRING	A1260110	11-2-4
SPRING	A1260110	3-3-4
SHIELD, PTO	A1280092	3-4-13
GUIDE	A1280154	11-5-15
GUIDE	A1280154	3-8-16
GAUGE, OIL LEVEL	A1280161	3-4-12
CASE, CENTER	A1280176	3-4-4
CASE, AXLE	A1280177	3-4-11
HOLDER, BEARING	A1280178	3-4-5
COVER, PTO SHAFT	A1280179	11-5-14
COVER, PTO SHAFT	A1280179	3-8-15
NUT, LOCK	A1281034	5-2-16
RING, SYNCHONIZER	A1281354	11-3-19
RING, SYNCHONIZER	A1281354	3-5-20
SLEEVE	A1281361	11-3-23
SLEEVE	A1281361	3-5-24
HUB SHAFT	A1281384	11-3-21
HUB SHAFT	A1281384	3-5-22
WASHER, THRUST	A1281472	5-2-10
SHAFT, F-R DRV. W/GEAR(22,27)	A1281580	3-5-3
SHAFT, MAIN DRIVE	A1281582	11-3-24
SHAFT, MAIN DRIVE	A1281582	3-5-25
GEAR, MAIN 2ND. DRV.(25T)	A1281583	11-3-27
GEAR, MAIN 2ND. DRV.(25T)	A1281583	3-5-28
GEAR, MAIN 2ND. DRV.(31T)	A1281584	11-3-28
GEAR, MAIN 2ND. DRV.(31T)	A1281584	3-5-29
GEAR, MAIN 2ND. DRV.(42T)	A1281585	11-3-29
GEAR, MAIN 2ND. DRV.(42T)	A1281585	3-5-30
GEAR, MAIN 1ST DRVN(49T)	A1281586	11-3-33
GEAR, MAIN 1ST DRVN(49T)	A1281586	3-5-34
GEAR, MAIN 2ND DRVN(44T)	A1281587	11-3-34

GEAR, MAIN 2ND DRVN(44T)	A1281587	3-5-35
GEAR, MAIN 3RD DRVN(38T)	A1281588	11-3-36
GEAR, MAIN 3RD DRVN(38T)	A1281588	3-5-37
GEAR, MAIN 4TH DRVN(28T)	A1281589	11-3-37
GEAR, MAIN 4TH DRVN(28T)	A1281589	3-5-38
SHAFT, R/IDLE	A1281591	11-3-6
SHAFT, R/IDLE	A1281591	3-5-7
GEAR, REVERSE IDLE(29T)	A1281592	11-3-9
GEAR, REVERSE IDLE(29T)	A1281592	3-5-10
JOINT	A1281593	11-3-38
JOINT	A1281593	3-5-39
GEAR, FR DRIVEN(41T)	A1281595	11-3-18
GEAR, FR DRIVEN(41T)	A1281595	3-5-19
SPACER	A1281597	11-3-15
SPACER	A1281597	3-5-16
SPACER	A1281598	11-3-32
SPACER	A1281598	3-5-33
GEAR, MAIN 2ND. DRV.(20T)	A1281600	11-3-25
GEAR, MAIN 2ND. DRV.(20T)	A1281600	3-5-26
NUT, LOCK	A1281602	11-3-12
NUT, LOCK	A1281602	3-5-13
SLEEVE, GEAR	A1281640	11-3-16
SLEEVE, GEAR	A1281640	3-5-17
CAP, DRVN SHAFT	A1283016	11-5-6
CAP, DRVN SHAFT	A1283016	3-8-6
SHAFT, PTO CONNECT	A1283222	3-6-4
SHAFT, PTO MAIN	A1283225	11-3-3
SHAFT, PTO MAIN	A1283225	11-4-1
SELECTOR, PTO	A1283226	3-6-7
SHAFT, PTO CONNECT	A1283227	11-4-8
JOINT	A1283228	11-4-5
COUPLING, PTO	A1283236	11-4-9
SLEEVE, PTO	A1283237	11-4-10
CAP, RUBBER	A1285170	11-3-11
CAP, RUBBER	A1285170	3-5-12
SPACER	A1285196	3-7-17
SHAFT, RANGE DRV.	A1285236	3-7-8
GEAR, RANGE DRV(28T)	A1285237	3-7-9
GEAR, RANGE DRVN(41T)	A1285238	3-7-2
SHAFT, RANGE DRV. W/GEAR(17	A1285239	3-7-5
GEAR, RANGE DRVN(53T)	A1285240	3-7-16
WASHER, THRUST	A12871472	5-5-3
NUT, LOCK	A1287179	3-7-10
SEAL, OIL	A1287211	5-5-18
SPACER	A1287215	3-7-15
SHAFT, PTO DRV. W/GEAR(17T,F	A1287302	11-5-3
SHAFT, PTO DRV. W/GEAR(17T,F	A1287302	3-8-3
SHAFT, PTO	A1287303	11-5-11
GEAR, PTO DRVN(79T,L)	A1287304	11-5-9
SPACER	A1287310	11-5-8
SHAFT, PTO	A1287314	3-8-11
GEAR, PTO DRVN(79T,L)	A1287315	3-8-9
SPACER	A1287316	3-8-8
CAM, ORC	A1287317	3-8-10
SPRING	A1287318	3-8-12
SPACER	A1288065	11-3-26
SPACER	A1288065	3-5-27
GEAR, 4WD DRVN.(41T)	A1288124	3-9-6
SHAFT, 4WD DRV.	A1288125	3-9-5
PIN	A1290091	3-10-17
ADAPTER, MAIN SHIFT(1,2)	A1290132	3-10-18

ADAPTER, MAIN SHIFT(3,4)	A1290133	3-10-14
FOR, MAIN SHIFT (1,2)	A1290134	3-10-20
FOR, MAIN SHIFT (3,4)	A1290135	3-10-16
RAIL, MAIN SHIFT (1,2)	A1290136	3-10-19
RAIL, MAIN SHIFT (3,4)	A1290137	3-10-15
ARM, MAIN SHIFT	A1290138	3-10-8
FORK, F-R SYNCHRO	A1290143	3-10-22
RAIL, F-R SYNCHRO	A1290145	3-10-23
LEVER, MAIN CHANGE	A1290157	3-10-6
LEVER, F-R SYNCHRO	A1290158	3-10-9
STOPPER	A1290159	3-10-7
FORK, 4WD	A1291135	3-11-2
BOLT, RAIL	A1291145	3-11-7
ADAPTER, SUB	A1291259	3-11-10
FORK, RANGE SHIFT	A1291260	3-11-9
RAIL, RANGE SHIFT	A1291261	3-11-8
LEVER, RANGE SHIFT	A1291262	3-11-14
FORK, PTO	A1291263	3-11-12
RAIL, PTO	A1291264	3-11-11
LEVER, PTO	A1291265	3-11-15
RAIL, 4WD	A1291266	3-11-1
LEVER, 4WD	A1291267	3-11-13
HAND LEVER, CHANGE	A1292126	3-10-2
SPRING	A1292129	3-10-4
BOLT, 4WD SHIFT	A1293032	3-10-12
HAND LEVER, RANGE SHIFT	A1293158	3-11-24
HAND LEVER, 4WD	A1293159	3-11-27
HAND LEVER, PTO	A1293160	3-11-18
BRACKET, SWITCH PTO	A1293161	3-11-20
DIFF ASSY	A1310002	4-1-1~17
RING & PINION GEAR SET(6T, 37	A1310003	4-1-1
PEDAL, DIFF	A1320001	4-2-13
CASE, DIFF(2)	A1324074	4-1-13
SHAFT(1)	A1324075	4-1-5
WASHER, LOCK(2)	A1324079	4-1-15
BOLT, HEX	A1324090	4-1-4
CASE, DIFF(1)	A1324091	4-1-2
PINION, MATE	A1324116	4-1-7
GEAR, SIDE DIFF(LH)	A1324117	4-1-10
GEAR, SIDE DIFF(RH)	A1324118	4-1-9
ADJUST SCREW	A1326046	4-2-12
SUPPORT, DIFF	A1326048	4-2-4
PLATE, LOCK	A1326050	4-2-2
SPACER	A1326051	4-2-6
SPACER	A1326052	4-2-9
BEARING, TAPER ROLLER	A1326067	3-7-18
SPRING	A1326075	4-2-15
4WD JOINT ASSY	A1380021	3-9-10~12
JOINT, 4WD	A1380022	3-9-10
SHAFT, 4WD FRONT	A1380030	3-9-13
COVER, 4WD	A1380031	3-9-8
BUSHING, SEAL	A1400023	5-2-15
FRONT AXLE ASSY	A1400260	5-1-1
CASE, GEAR	A1400262	5-3-4
CASE, KINGPIN	A1400263	5-3-9
COVER, GEAR CASE	A1400264	5-3-2
COVER, KINGPIN	A1400265	5-5-14
HOLDER, ARM	A1400266	5-3-10
HOLDER, FRONT PIVOT	A1400267	5-2-30
BRACKET, F/AXLE FRONT	A1400270	5-2-33
BRACKET, F/AXLE REAR	A1400271	5-2-19

SHAFT, F/DIFF	A1400272	5-5-1
SHAFT, KINGPIN	A1400273	5-5-7
SHAFT, F/AXLE	A1400274	5-5-17
BEVEL GEAR(13T)	A1400275	5-5-6
BEVEL GEAR(16T)	A1400276	5-5-8
BEVEL GEAR(13T)	A1400277	5-5-13
BEVEL GEAR(35T)	A1400278	5-5-24
CONNECTOR	A1400294	5-2-21
BEARING, TAPER ROLLER	A1400307	5-2-7
SPACER	A1400308	5-5-9
BEARING, TAPER ROLLER	A1400309	5-5-10
CASE, F/AXLE	A1400311	5-2-28
HOLDER, DIFF ASSY	A1400312	5-2-1
KNUCKLE ARM(LH)	A1400313	5-3-22
ARM, KNUCKLE(RH)	A1400314	5-3-16
SPACER	A1400315	5-2-12
BOLT, REAMER	A1400318	5-2-25
WASHER, PLN.	A1402060	6-1-6
SEAL, OIL	A1405029	5-3-19
DIFF, ASSY F/AXLE	A1410043	5-4-1~10
GEAR DIFF SIDE(16T)	A1410048	5-4-9
PLATE, LOCK	A1410051	5-4-5
WASHER, THRUST#1	A1410052	5-4-10
PINION & RING GEAR SET	A1410056	5-4-1
GEAR MATE(10T)	A1410057	5-4-7
SHAFT, MATE GEAR	A1410058	5-4-3
WASHER, THRUST#2	A1410059	5-4-8
CASE, DIFF	A1410060	5-4-2
SEAL, OIL	A1450014	4-3-4
FINAL DRIVE ASSY (LH)	A1480103	4-3-2~19
FINAL DRIV ASSY (RH)	A1480104	4-3-1,3~19
HOUSING, F/DRIVE(LH)	A1480105	4-3-2
HOUSING, F/DRIVE(RH)	A1480106	4-3-1
HOUSING, BRAKE	A1480107	4-3-14
NUT, LOCK	A1481040	4-3-13
SHAFT, FINAL DRV. W/GEAR(16T)	A1481064	4-3-18
GEAR, FINAL DRVN.(65T)	A1481065	4-3-12
SHAFT, REAR AXLE	A1481066	4-3-3
SPACER	A1481067	4-3-11
SPACER	A1481068	4-3-6
DISK	A1490167	4-4-1
NUT, HEX. LH	A1610016	6-1-2
END ASSY, LH	A1610035	6-1-1
END ASSY, RH	A1610036	6-1-5
TIE ROD ASSY	A1610045	6-1-1~5
PIPE, TIE ROD	A1610046	6-1-3
SPACER, CYLINDER PIN	A1630135	6-2-3
JOINT	A1630144	8-5-26
SEAL, STEERING	A1630153	6-4-9
BUSHING, BALL	A1630159	6-3-2
BOLT, UNION	A1630201	6-5-8
BOLT, UNION	A1630201	8-5-29
STR. COLUMN ASSY	A1630230	6-4-4~9
COLUMN, STEERING	A1630231	6-4-7
SHAFT, STEERING	A1630232	6-4-8
HOSE, P/STEERING	A1630245	6-2-1
PIN ASSY, CYLINDER	A1630327	6-2-4
STEERING CYLINDER	A1630473	6-2-2
STEERING CYLINDER	A1630473	6-3-1~14
CYLINDER ASSY	A1630474	6-3-3
ROD, STR. CYLINDER	A1630475	6-3-13

PISTON, STR. CYLINDER	A1630476	6-3-7
SLEEVE, STR. CYLINDER	A1630477	6-3-10
RING, WIRE	A1630478	6-3-14
NUT, LOCK	A1630479	6-3-6
RING, BACK UP	A1630480	6-3-4
U-PACKING	A1630481	6-3-11
SEAL, DUST	A1630482	6-3-12
STEERING UNIT	A1630483	6-4-2
SUPPORT, STEERING	A1630484	6-4-1
JOINT	A1630485	6-5-10
STR. PRESSURE ASSY	A1630486	6-5-2,10
STR. DRAIN PIPE ASSY	A1630487	6-5-6,10
STR. PIPE ASSY LH	A1630488	6-5-9,10
STR. PIPE ASSY RH	A1630489	6-5-3,10
CLAMP, HYD PIPE	A1630492	6-5-4
PIPE, P/S PRESSURE	A1630500	6-5-2
PIPE, P/S LH	A1630501	6-5-9
PIPE, P/S RH	A1630502	6-5-3
PIPE, STR. DRAIN	A1630503	6-5-6
BRAKE ASSY(RH)	A1650071	4-5-8
BRAKE ASSY(LH)	A1650072	4-5-1~7
HOLDER, SPRING(LH)	A1650074	4-2-10
HOLDER, SPRING(RH)	A1650075	4-2-5
PLATE, CAM(LH)	A1650076	4-5-3
BOSS, SPLINE	A1650078	4-5-7
ARM, BRAKE LEVER	A1650079	4-5-12
PLATE	A1650091	4-5-14
LEVER, BRAKE	A1650101	4-5-9
BUSHING, BRAEK LEVER	A1650102	4-5-13
PLATE, PRESSURE	A1650107	4-5-4
PLATE, FRICTION	A1653063	4-5-5
PIN	A1670118	11-2-5
PIN	A1670118	3-3-5
PIN	A1670118	4-6-7
RACHET, PARKING	A1670153	4-7-4
SPRING	A1670154	4-7-3
BRACKET	A1670156	4-7-1
SPRING	A1670255	4-6-16
BRAKE ROD ASSY	A1670290	4-6-11~15
ROD BRAKE	A1670291	4-6-15
PEDAL, BRAKE LH	A1670292	4-6-1
PEDAL, BRAKE RH	A1670293	4-6-2
SHAFT, BRAKE PEDAL	A1670327	4-6-21
HARNESS, FRONT LIGHT	A1730062	7-1-2
HARNESS, H/LAMP WIRE	A1730075	9-1-26
HARNESS, PANEL	A1730203	7-1-3
HARNESS, ENGINE	A1730204	7-1-1
HARNESS, MIDDLE	A1730205	7-1-4
CLAMP, BATTERY	A1740003	7-2-1
CABLE, BATTERY(+)	A1740029	7-2-5
CABLE, BATTERY(-)	A1740030	7-2-6
ROD, BATTERY CLAMP	A1741021	7-2-2
HOOD, PANEL	A1750127	7-3-4
WINDOW GLASS, PANEL	A1750128	7-3-5
PACKING, PANEL	A1750137	7-3-6
BRACKET, PANEL	A1750139	7-3-3
BULB	A1750140	7-3-8
BULB	A1750141	7-3-9
COVER, COMB. SWITCH	A1750153	7-3-34
SWITCH, EMERGENCY	A1750161	7-3-11
COVER, COMBI. S/W	A1750178	7-3-30

SWITCH, COMBI	A1750180	7-3-26
CLAMP A	A1750181	7-3-27
CLAMP B	A1750182	7-3-28
CAP, RUBBER	A1750187	7-3-31
PCB, PANEL	A1750193	7-3-7
CABLE, TACHOMETER	A1750222	7-3-10
FUSE BOX ASSY	A1750225	7-3-18
CAP, RUBBER	A1750230	7-3-32
INSTRUMENT PANEL ASSY	A1750239	7-3-1
METER PANEL ASSY	A1750240	7-3-2
TIMER, ENGINE STOP	A1750243	7-3-15
KEY SWITCH ASSY	A1750254	7-3-12
SWITCH, SAFETY	A1750256	7-3-23
STR. COLUMN S/W ASSY	A1750269	7-3-25
LAMP, HEAD	A1760030	9-1-27
LAMP, TURN SIGNAL	A1760031	9-1-28
LENS, HEAD LAMP	A1760032	9-1-29
HEAD LAMP ASSY	A1760034	9-1-26~29
REAR COMBI LAMP ASSY(RH)	A1760035	7-4-1
REAR COMBI LAMP ASSY(LH)	A1760036	7-4-2
HYD. HOUSING	A1820052	8-1-6
SHAFT, HYD. LIFT	A1821030	8-2-1
ARM, LIFT	A1821040	8-2-9
SPACER	A1821043	8-2-8
ARM, POWER	A1821044	8-2-2
PIN	A1822031	8-3-12
VALVE, CONTROL	A1822073	8-3-1
SPRING	A1822086	8-3-9
PLUG	A1822094	8-4-2
RELIEF VALVE ASSY	A1822103	8-4-2~5
BLOCK, RELIEF VALVE	A1822104	8-4-4
RELIEF VALVE	A1822106	8-4-5
FILTER, HYD.	A1823132	8-5-28
SEAL, BONDED	A1823245	6-5-7
SEAL, BONDED	A1823245	8-5-30
GEAR, HYD. PUMP DRV, 45T	A1823333	8-5-10
GEAR, HYD. PUMP DRVN, 22T	A1823334	8-5-5
SPACER	A1823335	8-5-2
HOLDER, GEAR PUMP	A1823336	8-5-8
PUMP, HYD(TENDEM)	A1823396	8-5-13
PIPE, R/SUCTION	A1823399	8-5-27
PIPE, F/SUCTION	A1823400	8-5-19
HOSE, PIPE	A1823401	8-5-20
FRONT PRESSURE PIPE ASSY	A1823403	8-5-23,26
PIPE, PRESSURE	A1823404	8-5-23
CONNECTION PIPE ASSY	A1823407	8-5-24,26
PIPE, DRAIN	A1823408	8-5-31
R/PRESSURE PIPE ASSY	A1823409	8-5-25,26
PIPE, R/PRESSURE	A1823411	8-5-25
PIPE, CONNECTION	A1823413	8-5-24
LINK, POSITION	A1824026	8-6-5
LINK	A1824028	8-3-10
CLEVIS	A1824030	8-3-4
SHAFT, LINK SUPPORT	A1824032	8-6-3
CLEVIS ASSY	A1824034	8-3-4~6
SHAFT, POSITION	A1824039	8-6-8
PLATE S, FRICTION	A1825024	8-7-4
COVER	A1825033	8-7-1
COVER, SPRING	A1825034	8-7-9
PLATE, LOCKING	A1825053	8-7-6
SPRING	A1825086	8-7-8



STOPPER, LEVER (UPPER)	A1825150	8-7-12
STOPPER, LEVER (LOWER)	A1825151	8-7-14
SUPPORT, LEVER	A1825152	8-7-3
LEVER, POSITION CON	A1825153	8-7-5
SEAL	A1826036	8-8-13
VALVE, SAFETY	A1826037	8-8-11
SPRING	A1826058	8-8-23
FLOW, REGULATOR	A1826078	8-8-16~21
BODY, REGULATOR	A1826079	8-8-19
SCREW, ADJUST	A1826080	8-8-17
NUT, HEX	A1826081	8-8-16
PLATE, LOCK	A1826094	8-2-3
CYLINDER, HYD.	A1826121	8-8-1
PISTON, HYD.	A1826122	8-8-5
O-RING	A1826123	8-8-3
RING, BACKUP	A1826124	8-8-4
ROD, HYD. PISTON	A1826129	8-8-6
BRACKET, UPPER LINK	A1828032	8-10-15
PANEL, BODY(UPPER)	A1830220	9-1-4
HANGER	A1830231	9-1-5
COVER, DUST LEVER	A1830240	9-1-6
NET, GRILLE	A1830242	9-1-31
SPRING	A1830248	2-6-4
COVER, STEERING	A1830252	9-1-7
COVER, HINGE	A1830257	9-1-8
HINGE	A1830258	9-1-9
SPACER, GRILLE	A1830277	8-10-12
CAP, BOLT	A1830283	9-1-10
STOPPER, HOOD SUPPORT	A1830286	9-1-11
STOPPER, RUBBER	A1830288	9-1-12
PANEL, BODY(REAR)	A1830328	9-1-13
GRILLE	A1830334	9-1-32
SCREW, TP. CRS	A1830417	9-1-14
BRACKET, HINGE	A1830494	9-1-15
PANEL, BODY(LH)	A1830495	9-1-16
PANEL, BODY(RH)	A1830496	9-1-17
PLATE, HEAT INTERCEPT	A1830497	9-1-18
ROD, HOOD	A1830498	9-1-19
COVER, SIDE (LH)	A1830500	9-1-20
SEAL, RADIATOR AIR	A1830502	9-1-21
BRACKET, ROD HOOD	A1830512	9-1-22
HOOD, BONNET	A1830513	9-1-23
COVER, SIDE (RH)	A1830515	9-1-24
GRILL ASSY	A1830521	9-1-25~33
SUB STEP	A1840164	9-2-1
FRAME, STEP LH	A1840194	9-2-2
FRAME, STEP RH	A1840195	9-2-3
STEP (LH)	A1840197	9-2-4
STEP, RH	A1840198	9-2-5
COVER, T/M CASE	A1840199	9-2-6
BRACKET, SEAT	A1850231	9-3-1
SEAT ASSY (W/SEAT BELT)	A1850236	9-3-2
REST, SEAT BELT	A1850237	9-3-3
GUARD, MUD REAR	A1870365	9-4-8
BRACKET, CENTER COVER	A1870366	9-4-6
FENDER, LH	A1870367	9-4-3
FENDER, RH	A1870368	9-4-4
COVER, CENTER	A1870369	9-4-5
BRACKET, MUD GUARD	A1870370	9-4-7
MUD GUARD ASSY	A1870396	9-4-8~9
NUT, LOCK	A1877079	2-1-18

FRAME, ROPS LOWER LH	A1880087	9-5-1
FRAME, ROPS LOWER RH	A1880088	9-5-2
FRAME, ROPS UPPER	A1880089	9-5-3
FRAME, ROPS REAR	A1880090	9-5-4
PIN	A1891030	8-9-2
SUPPORT, DRAWBAR	A1891045	8-9-1
DRAWBAR	A1891046	8-9-3
LIFT ROD ASSY(LH)	A1896086	8-12-13
JOINT, LIFT ROD	A1896087	8-12-3
ROD, UPPER LIFT	A1896088	8-12-11
ROD, LOWER LIFT	A1896089	8-12-12
PIN, LIFT ROD	A1896090	8-12-6
LIFT ROD ASSY(RH)	A1896091	8-12-3~10
ROD, UPPER LIFT	A1896092	8-12-7
ROD, LOWER LIFT	A1896093	8-12-10
BUCKLE, TURN	A1896094	8-12-9
NUT	A1896095	8-12-8
PIN, TOP LINK FRONT	A1896189	8-10-1
TOP LINK WITH PIN ASSY	A1896275	8-10-3~8
BRACKET, SPRING	A1896333	8-13-10
HOOK, TOP LINK	A1896336	8-10-10
CHAIN(F)	A1896346	8-13-3
NUT, LOCK	A1896349	8-13-6
LOWER LINK ASSY	A1896468	8-11-3
TURN BUCKLE	A1896469	8-13-4
CHAIN(R)	A1896470	8-13-5
CHECK, CHAIN ASSY	A1896471	8-13-3~6
PIN, L/LINK	A1896477	8-11-1
BRACKET, CHECK(LH)	A1896507	8-13-2
BRACKET, CHECK(RH)	A1896508	8-13-1
BRACKET, HOOK	A1896519	8-10-9
SPRING, LOWER LINK	A1896539	8-13-12
CLAMP, HOSE	A1970201F	2-4-12
CLAMP, HOSE	A1970201F	8-5-18
CLAMP, HOSE	A1970201G	2-4-15
CLAMP, HOSE	A1970201H	2-4-14
CLAMP, HOSE	A1970201H	2-5-8
CLAMP, HOSE	A1970201K	2-5-4
BUSHING, DU	A1970203	3-2-7
BEARING	A1970233	6-4-6
BUSHING, DU	A1970236	11-1-4
KNOB, HYD. LIFT LEVER	A1970241	3-11-19
KNOB, HYD. LIFT LEVER	A1970241	4-7-6
WEATHER STRIP	A1970269	9-1-34
GRIP	A1970275	3-10-1
PLATE, LOCK	A1970279	9-1-35
PLATE, LOCK	A1970279	9-4-9
WASHER, PLASTIC	A1970286	2-2-2
KNOB	A1970299	8-7-11
CAP,RUBBER	A1970303	9-1-36
CLAMP, HOSE	A1970310	2-1-11
CLAMP, HOSE	A1970310	2-1-19
WEATHER, STRIP	A1970346	9-4-10
RUBBER, DAMPING	A1970360	2-4-2
KNOB	A1970372	8-8-14
KNOB, 4WD	A1970375	3-11-28
KNOB, RANGE	A1970376	3-11-26
STRIP	A1970377	2-6-9
SEAL, PLUG	A1970379	7-3-22
CLAMP, HOSE	A1970380	2-1-20
DECAL, LG MARK	A1980437	6-4-11

DECAL, MAIN CHANGE	A1980569	10-2-1
DECAL, BONNET HOOK	A1980572	10-2-2
DECAL, HOOK ROD	A1980620	10-2-3
MARK, DIFF LOCK	A1980715	10-2-5
DECAL, F-R CHANGE	A1980721	10-2-7
DECAL, ACC. LEVER	A1980722	10-2-8
DECAL, FLOW CONTROL	A1980861	10-2-10
DECAL, POSITION CONTROL	A1980863	10-2-6
DECAL, AIRCLEANER	A1980932	10-2-12
NAME PLATE	A1980943	10-2-4
DECAL, SHIFTING CAUTION	A1980947	10-2-14
DECAL, PTO LEVER	A1980948	10-2-9
DECAL, KEY SWITCH	A1980960	10-2-11
BALL, SHIFTER FORK	A20063390	3-10-10
BALL, SHIFTER FORK	A20063390	3-11-4
BALL, STEEL	A20063480	8-8-22
BEARING, TAPER	A26799980	4-2-7
BEARING, TAPER ROLLER	A26800340	3-7-11
FLASHER	A30G0005	7-3-14
RUBBER	A3260012	11-2-2
RUBBER	A3260012	3-3-2
RUBBER	A3260012	4-6-4
CAP, WHEEL	A5000583	6-4-12
WHEEL, STEERING	A5001458	6-4-10
STR. WHEEL ASSY	A5002130	6-4-10~12
BRACKET, SPRING	A7200107	9-1-37
HOSE, FILTER	Q1250013	2-1-16
BOLT, HEX. W/WASHER	Q1550013	5-2-23
RELAY, START	Q1800018	7-3-16
RELAY, GLOW	Q1800023	7-3-13
BOLT, HEX	S101143543	8-10-13
BOLT, HEX	S101143543	8-13-9
BOLT, HEX.	S101144043	8-9-6
BOLT, HEX.	S101144043	9-5-5
BOLT, HEX.	S101144543	4-3-24
BOLT, HEX.	S102141243	4-3-20
BOLT, HEX	S103104043	11-2-15
BOLT, HEX	S103104043	3-3-15
BOLT, HEX	S103125043	8-8-10
BOLT, HEX	S103163043	4-4-2
BOLT, HEX	S103164043	5-1-2
BOLT, HEX	S105082043	4-1-16
BOLT, HEX. SMALL	S105123543	3-4-2
BOLT, HEX. SMALL	S105124543	8-1-1
BOLT, HEX. SMALL	S105126043	8-1-4
BOLT, HEX. SMALL	S105128543	8-1-3
BOLT, HEX. W/WASHER	S106081043	11-1-11
BOLT	S107103043	8-5-17
BOLT, STUD	S137144523	4-3-22
BOLT, STUD	S139082533	2-3-4
BOLT, STUD	S139123543	3-4-8
BOLT, HEX. W/WASHER	S153081633	8-2-4
BOLT, HEX. W/WASHER	S153082033	3-1-3
BOLT, HEX W/WASHER	S153082033	5-5-15
BOLT, HEX. W/WASHER	S153082533	8-5-7
BOLT, HEX	S153083533	6-5-1
BOLT, HEX. W/WASHER	S153083533	8-5-11
BOLT, HEX. W/WASHER	S153084533	8-5-6
BOLT, HEX. W/WASHER	S153085033	8-5-15
BOLT, HEX. W/WASHER	S153123033	3-2-8
BOLT, HEX. W/WASHER	S153123033	3-9-9

BOLT, HEX. W/WASHER	S153123033	5-3-17
BOLT, HEX. W/WASHER	S153123533	3-2-9
BOLT, HEX. W/WASHER	S154102033	11-1-6
BOLT, HEX. W/WASHER	S154102033	3-1-9
BOLT, HEX. W/WASHER	S154102033	3-2-12
BOLT, HEX. W/WASHER	S154102033	4-5-15
BOLT, HEX. W/WASHER	S154102033	6-2-5
BOLT, HEX. W/WASHER	S154102033	6-4-15
BOLT, HEX. W/WASHER	S154102033	7-1-10
BOLT, HEX. W/WASHER	S154102033	9-4-11
BOLT, HEX. W/WASHER	S154102533	11-1-7
BOLT, HEX. W/WASHER	S154102533	11-5-16
BOLT, HEX. W/WASHER	S154102533	2-6-6
BOLT, HEX. W/WASHER	S154102533	3-1-10
BOLT, HEX. W/WASHER	S154102533	3-8-17
BOLT, HEX. W/WASHER	S154102533	5-3-1
BOLT, HEX. W/WASHER	S154102533	6-4-3
BOLT, HEX. W/WASHER	S154102533	8-11-2
BOLT, HEX. W/WASHER	S154102533	9-1-38
BOLT, HEX. W/WASHER	S154102533	9-2-7
BOLT, HEX. W/WASHER	S154102533	9-5-6
BOLT, HEX. W/WASHER	S154103033	3-4-6
BOLT, HEX. W/WASHER	S154103033	5-2-31
BOLT, HEX. W/WASHER	S154106033	8-4-1
BOLT, HEX. W/WASHER	S154106033	8-5-22
BOLT, HEX. W/WASHER	S154123533	2-6-5
BOLT, HEX	S154124533	5-1-4
BOLT, HEX W/WASHER	S155063033	6-5-5
BOLT, HEX. W/WASHER	S155082033	2-4-8
BOLT, HEX. W/WASHER	S155082033	2-5-3
BOLT, HEX. W/WASHER	S155082033	2-6-8
BOLT, HEX. W/WASHER	S155082533	2-1-21
BOLT, HEX. W/WASHER	S155085033	8-3-2
BOLT, HEX. W/WASHER	S155124533	9-5-7
BOLT, HEX. W/WASHER	S155125533	9-5-8
BOLT, HEX. W/WASHER	S156102033	4-7-2
BOLT, HEX	S156102533	4-3-10
BOLT, HEX	S156103533	4-3-9
BOLT, HEX. W/WASHER	S156103533	4-7-5
BOLT, HEX W/WASHER	S159061633	7-3-17
BOLT, HEX. W/WASHER	S159061633	9-1-39
BOLT, HEX. W/WASHER	S159081633	8-7-13
BOLT, HEX. W/WASHER	S159082033	3-11-22
BOLT, HEX. W/WASHER	S159082033	9-1-40
BOLT, HEX. W/WASHER	S159082033	9-2-8
BOLT, HEX. W/WASHER	S159082033	9-3-4
BOLT, HEX. W/WASHER	S159082033	9-4-12
BOLT, HEX, W.WASHER	S159082533	8-10-11
BOLT, HEX. W/WASHER	S159082533	9-1-41
BOLT, HEX. F-THRD	S163081643	5-4-6
BOLT, HEX.	S163085043	8-3-8
BOLT, HEX. F-THRD.	S165102543	4-2-1
BOLT, HEX. F-THRD	S165105043	5-3-8
BOLT, STUD	S167162523	4-4-3
SCREW	S224402511	7-3-33
SCREW	S226401211	7-3-29
SCREW, W/WASHER	S227501211	2-1-12
SCREW, TP. CRS. TRUSS	S234401613	9-1-33
SCREW, TP. CRS	S234501611	9-4-13
NUT, HEX	S301080043	4-6-18
NUT, HEX. 1-TY.	S301140043	4-3-23

NUT, HEX. 1-TY.	S302100043	5-3-7
NUT, HEX.	S302100043	8-7-10
NUT, HEX	S302160043	4-4-4
NUT, HEX. 2-TY	S305060013	7-2-4
NUT, HEX	S306010043	11-2-12
NUT, HEX	S306010043	3-3-12
NUT, HEX. RH	S306180043	6-1-4
NUT, HEX. S. 1-TY.	S311120013	3-4-7
NUT, HEX.	S313080043	8-3-7
NUT, HEX. S. 2-TY.	S313080070	2-3-3
NUT, HEX. S. 2-TY.	S314100013	11-2-9
NUT, HEX. S. 2-TY.	S314100013	3-11-25
NUT, HEX. S. 2-TY.	S314100013	3-3-9
NUT, HEX. S. 2-TY.	S314100013	4-6-12
NUT, HEX	S314140013	6-4-13
NUT, HEX	S314140013	8-13-11
NUT, HEX.	S316140013	3-11-21
NUT, HEX.3-T	S316140013	7-3-24
NUT, FLANGE B-TY	S345050013	7-1-9
NUT, FLANGE B -TY	S345060013	7-4-3
NUT, FLANGE B-TY	S345060013	9-1-30
NUT, FLANGE B-TY.	S345060013	9-1-42
NUT, FLANGE B-TY.	S345080013	11-2-3
NUT, FLANGE B-TY.	S345080013	3-3-3
NUT, FLANGE B-TY.	S345080013	4-6-3
NUT, FLANGE	S345080013	8-8-15
NUT, FLANGE B-TY.	S345080013	9-1-43
NUT, FLANGE B-TY.	S345080013	9-4-14
NUT, FLANGE B-TY.	S345120013	9-4-15
NUT, FLANGE BTY	S346100013	2-4-3
NUT, FLANGE B-TY.	S346100013	9-1-44
NUT, FLANGE B-TY.	S346100013	9-3-5
WASHER, SPRING 1-TY	S361080013	11-1-10
WASHER, SPRING	S361080013	8-3-13
WASHER, SPRING	S361080013	8-7-15
WASHER, SPR. 1-TYPE	S361100013	5-2-24
WASHER, SPRING	S361100013	8-5-16
WASHER, SPRING	S361100013	8-7-2
WASHER, SPR. 1-TY.	S361120013	3-4-3
WASHER, SPR. 1-TY.	S361120013	8-1-2
WASHER, SPRING	S361120013	8-8-9
WASHER, SPRING	S361140013	6-4-14
WASHER, SPR. 1-TY	S361140013	8-10-14
WASHER, SPRING	S361140013	8-13-8
WASHER, SPRING	S361140013	8-9-5
WASHER, SPR. 1-TYPE	S361140013	9-5-9
WASHER, SPR. 1-TY.	S361160013	4-4-5
WASHER, SPRING	S361160013	5-1-3
WASHER, SPR. 2-TY.	S362140013	4-3-21
WASHER, PLN. S-RD	S363060013	7-2-3
WASHER, PLN.	S363080013	8-7-16
WASHER, PLN. S-RD.	S363080013	9-1-45
WASHER, PLN. S-RD.	S363100013	11-2-6
WASHER, PLN. S-RD.	S363100013	3-3-6
WASHER, PLN. S-RD.	S363100013	4-6-8
WASHER, PLN. F-RD.	S363200013	3-11-17
WASHER, PLN. F-RD.	S364080013	8-6-4
WASHER, PLAIN	S364120013	2-2-5
RAIL, F-R SYNCHRO	S364160013	3-10-25
WASHER, PLAIN	S364160013	8-12-5
WASHER, PLN. F-RD.	S364240013	4-6-6

WASHER, PLN.	S365082013	2-1-22
WASHER, PLN. L-RD.	S365082613	9-4-16
PIN, DOWEL	S421081410	3-1-4
PIN, PAR. A-TY. (h7)	S423102010	3-2-10
PIN, PAR. A-TY. (h7)	S423102010	3-4-1
PIN_PAR A-TY	S423102010	4-3-19
PIN, PAR. A-TY. (h7)	S423102010	5-2-2
PIN, PAR. A-TY. (h7)	S423102010	5-3-5
PIN_PAR A-TY	S423103210	4-3-15
PIN, SPLIT	S441251613	2-2-3
PIN, SPLIT	S441302013	11-2-7
PIN, SPLIT	S441302013	3-3-7
PIN, SPLIT	S441302013	4-6-9
PIN, SPLIT	S441403613	6-1-7
PIN, SPLIT	S441404013	8-12-4
PIN, SNAP A-TY.	S443080013	9-1-46
PIN, SNAP A-TY	S443100013	4-6-10
PIN, SNAP A-TY.	S443120013	2-2-6
PIN, SPRING	S446032810	3-9-12
PIN, SPRING	S446052810	3-9-11
PIN, SPRING W-TY	S446054510	8-8-8
PIN, SPR. W-TY.	S446062510	3-10-3
PIN, SPR. W-TY.	S446062510	3-11-3
PIN, SPR. W-TY.	S446063512	3-11-23
PIN, SPRING W-TY	S446065010	4-1-6
PIN, SPRING	S446065012	5-4-4
PIN, SPR. W-TY.	S446084012	4-2-17
PIN, SPR. W-TY.	S446084012	4-6-19
PIN, SPRING W-TY	S446084510	8-8-7
RIVET, BLIND	S446321010	10-2-13
RIVET, BLIND	S466321010	9-1-47
O-RING	S801006020	8-8-18
O-RING (P)	S801009010	8-6-2
O-RING	S801010020	8-8-21
O-RING (P)	S801010A10	3-10-13
O-RING (P)	S801010A10	3-11-6
O-RING	S801011010	8-4-3
O-RING (P)	S801012010	3-10-24
O-RING (P)	S801012020	8-3-3
O-RING (P)	S801014010	6-3-8
O-RING	S801014020	8-8-2
O-RING	S801014020	8-8-20
O-RING (P)	S801016010	3-10-5
O-RING (P)	S801016010	3-11-16
O-RING (P)	S801016010	4-2-14
O-RING (P)	S801016010	8-6-9
O-RING	S801018010	6-5-11
O-RING (P)	S801018010	8-5-12
O-RING	S801018010	8-8-12
O-RING (P)	S801021010	11-3-5
O-RING (P)	S801021010	3-5-6
O-RING (P)	S801021010	4-2-11
O-RING(P)	S801025010	4-5-10
O-RING (P)	S801025010	4-6-20
O-RING (P)	S801025010	5-3-14
O-RING	S801039010	6-3-5
O-RING	S801040010	6-3-9
O-RING(G25)	S802025010	5-2-14
O-RING	S802045010	8-2-6
O-RING(G55)	S802050010	5-2-22
O-RING(G65)	S802065010	5-2-17

O-RING	S802165010	5-3-3
O-RING (S)	S804024010	8-5-14
O-RING (S)	S804026010	8-5-21
O-RING	S804067010	11-1-8
O-RING	S804067010	3-1-11
O-RING	S804070010	11-5-13
O-RING	S804070010	3-8-14
O-RING	S804080010	5-2-20
O-RING (S)	S804080010	8-5-1
RING, SNAP (C) H.	S810012001	2-6-3
RING, SNAP	S810012001	8-7-7
RING, SNAP	S810020001	11-3-10
RING, SNAP C-TYPE	S810020001	11-4-4
RING, SNAP	S810020001	3-5-11
RING, SNAP	S810020001	3-6-6
RING, SNAP	S810020001	6-4-4
RING, SNAP	S810025001	11-3-31
RING, SNAP	S810025001	3-5-32
RING, SNAP	S810025001	3-6-3
RING, SNAP	S810025001	3-7-1
RING, SNAP	S810025001	3-9-4
RING, SNAP	S810025001	4-6-5
RING, SNAP	S810025001	8-5-9
RING, SNAP	S810030001	8-5-3
RING, SNAP	S810040001	11-5-10
RING, SNAP	S810042001	8-2-11
RING, SNAP	S810058001	4-5-6
RING, SNAP (C) H.	S811032001	11-3-8
RING, SNAP (C) H.	S811032001	3-5-9
RING, SNAP	S811042001	6-4-5
RING, SNAP C-TYPE	S811047001	11-4-6
RING, SNAP	S811047001	11-5-1
RING, SNAP (C) H.	S811047001	3-6-1
RING, SNAP	S811047001	3-8-1
RING, SNAP (C) H.	S811047001	3-9-1
RING, SNAP (C) H.	S811052001	11-3-13
RING, SNAP (C) H.	S811052001	3-5-14
RING, SNAP (C) H.	S811052001	3-7-3
RING, SNAP (C) H.	S811062001	11-5-5
RING, SNAP (C) H.	S811062001	3-7-6
RING, SNAP (C) H.	S811062001	3-8-5
RING, SNAP (C) H.	S811068001	11-3-4
RING, SNAP (C) H.	S811068001	3-5-5
RING, SNAP (C) H.	S811072001	3-7-12
RING, SNAP	S811072001	5-5-20
RING, SNAP	S811075001	4-3-7
RING, SNAP	S811075001	5-2-6
RING, SNAP	S812035001	5-5-23
RING, SNAP	S812045001	4-3-5
RING, SNAP	S813035001	6-3-1
RING, SNAP (E)	S814006003	8-3-6
RING, SNAP (E)	S814006003	8-6-6
RING, SNAP (E)	S814009003	8-6-1
O-RING (P)	S814015001	3-10-26

## INDEX

PART NO.	FIG. NO.	PART NO.	FIG. NO.	PART NO.	FIG. NO.	PART NO.	FIG. NO.
2A1896003	8-10-5	A0640009	7-1-7	A0863040	11-3-30	A1170253	2-4-5
3A1100008	2-2-7	A0640015	7-1-8	A0863040	3-5-31	A1170254	2-6-10
3A1250013	3-2-5	A0640028	7-1-6	A0863050	3-7-7	A1190155	2-5-7
3A1250013	3-4-9	A0640103	7-1-5	A0863050H1	11-5-4	A1190156	2-5-5
3A1281020	11-3-22	A0651201	11-4-2	A0863050H1	3-8-4	A1190158	2-5-2
3A1281020	3-5-23	A0651256	3-9-2	A0863060H1	5-5-2	A1190159	2-4-10
3A1281021	11-3-20	A0651353	11-5-12	A0863070	4-3-16	A1190160	2-5-1
3A1281021	3-5-21	A0651353	3-8-13	A0868040	11-3-7	A1190161	2-5-6
3A1290009	3-10-21	A0651353	5-2-13	A0868040	11-4-3	A1210111	2-6-7
3A1290011	3-10-11	A0651402	11-1-9	A0868040	3-5-8	A1210112	2-6-2
3A1290011	3-11-5	A0651402	11-3-1	A0870431	3-7-13	A1210113	2-6-1
3A1324003	4-1-12	A0653231	3-5-1	A0870432	3-7-14	A1250045	3-1-12
3A1324007	4-1-17	A0660425	5-2-4	A0870451	3-7-19	A1250047	3-1-13
3A1324012	4-1-3	A0660427	5-2-5	A0870451	5-5-21	A1250049	8-1-5
3A1324014	4-1-14	A0670143	5-3-21	A0870452	3-7-20	A1250056	11-1-2
3A1326005	4-2-3	A0670156	5-2-11	A0870455	5-5-22	A1250062	3-1-5
3A1326013	4-2-16	A0677525	3-2-6	A0870461	5-5-11	A1250071	11-1-3
3A1400004	5-2-27	A0677815	4-5-11	A0870465	5-5-12	A1250095	11-1-3-4
3A1653007	4-5-2	A0677825	5-3-15	A0870601	5-2-9	A1250123	3-2-2
3A1653010	4-5-1	A0678025	3-1-6	A0870601	5-3-11	A1250128	3-2-1
3A1821004	8-2-7	A0678330	5-2-32	A0870601	5-5-4	A1250129	3-1-8
3A1821005	8-2-5	A0678330	5-3-20	A0870605	5-2-8	A1250130	11-1-5
3A1821007	8-2-10	A0678640	5-2-18	A0870605	5-3-12	A1250131	3-1-7
3A1822006	8-3-5	A0690218	9-1-1	A0870605	5-5-5	A1250132	3-1-1-2
3A1822010	8-3-11	A0710037	2-2-9	A0870608	5-3-13	A1250135	3-1-1
3A1824003	8-6-7	A0710037	2-6-11	A10263360	3-2-4	A1250136	3-1-2
3A1870006	9-4-1	A0710062	9-1-2	A10263360	3-4-10	A1250137	3-1-6-7
3A1896002	8-10-3-6	A0720034	9-1-3	A10263360	3-4-14	A1250151	3-2-11
3A1896006	8-10-3	A072E250	2-1-1	A1040052	2-1-2	A1250152	11-1-1
3A1896007	8-10-6	A0751005	7-3-19	A1040074	2-1-13	A1251590	11-3-35
3A1896013	8-10-7	A0751006	7-3-20	A1040075	2-1-14	A1251590	3-5-36
3A1896058	8-12-1	A0751007	7-3-21	A1040088	2-1-3	A1260069	11-2-8
3A1896081	8-10-8	A0760137	9-1-25	A1040111	2-1-4	A1260069	3-3-8
3A1896081	8-11-4	A0860050	3-6-2	A1040127	2-1-15	A1260069	4-6-11
3A1896081	8-13-7	A0860050	3-9-3	A1040214	2-1-17	A1260073	4-6-17
3A1970051	5-2-26	A0860060	3-5-2	A1040215	2-1-1-12	A1260078	11-2-10
3A1970052	5-2-29	A0860060	8-5-4	A1040216	2-1-5	A1260078	3-3-10
3A1970052	5-3-6	A0860080	11-3-2	A1040217	2-1-6	A1260078	4-6-13
3A1970052	5-5-16	A0860080	3-5-4	A1040218	2-1-7	A1260089	11-2-8-11
3A1970068	3-2-3	A0860090	4-3-8	A1040220	2-1-8	A1260089	3-3-8-11
3A1970069	5-3-18	A0860090	5-2-3	A1040221	2-1-9	A1260090	11-2-11
3A1970091	8-10-2	A0862040	11-4-7	A1040222	2-1-10	A1260090	3-3-11
3A1970091	8-12-2	A0862040	11-5-2	A1100054	2-2-1	A1260091	3-3-1
3A1970091	8-9-4	A0862040	3-6-5	A1100096	2-2-4	A1260092	3-2-13
3A1970092	8-10-4	A0862040	3-8-2	A1100103	2-2-8	A1260093	11-2-14
3A1970122	4-1-11	A0862040	3-9-7	A1151125	2-3-2	A1260093	3-3-14
3A1970123	4-1-8	A0862050	11-3-14	A1151139	2-3-1	A1260106	11-2-13
3A1970157	11-3-17	A0862050	3-5-15	A1170196	2-4-6	A1260106	3-3-13
3A1970157	3-5-18	A0862050	3-7-4	A1170223	2-4-1	A1260108	11-2-1
A05171520	11-5-17	A0862070	11-5-7	A1170231	2-4-11	A1260110	11-2-4
A05171520	3-8-18	A0862070	3-8-7	A1170232	2-4-13	A1260110	3-3-4
A0610083	9-4-2	A0862070	5-5-19	A1170233	2-4-9	A1280092	3-4-13
A0610262	4-6-14	A0862080	4-3-17	A1170234	2-4-4	A1280154	11-5-15
A0610281	3-4-15	A0862100	4-2-8	A1170238	2-4-7	A1280154	3-8-16



## INDEX

PART NO.	FIG. NO.	PART NO.	FIG. NO.	PART NO.	FIG. NO.	PART NO.	FIG. NO.
A1280161	3-4-12	A1283226	3-6-7	A1291267	3-11-13	A1400314	5-3-16
A1280176	3-4-4	A1283227	11-4-8	A1292126	3-10-2	A1400315	5-2-12
A1280177	3-4-11	A1283228	11-4-5	A1292129	3-10-4	A1400318	5-2-25
A1280178	3-4-5	A1283236	11-4-9	A1293032	3-10-12	A1402060	6-1-6
A1280179	11-5-14	A1283237	11-4-10	A1293158	3-11-24	A1405029	5-3-19
A1280179	3-8-15	A1285170	11-3-11	A1293159	3-11-27	A1410043	5-4-1~10
A1281034	5-2-16	A1285170	3-5-12	A1293160	3-11-18	A1410048	5-4-9
A1281354	11-3-19	A1285196	3-7-17	A1293161	3-11-20	A1410051	5-4-5
A1281354	3-5-20	A1285236	3-7-8	A1310002	4-1-1~17	A1410052	5-4-10
A1281361	11-3-23	A1285237	3-7-9	A1310003	4-1-1	A1410056	5-4-1
A1281361	3-5-24	A1285238	3-7-2	A1320001	4-2-13	A1410057	5-4-7
A1281384	11-3-21	A1285239	3-7-5	A1324074	4-1-13	A1410058	5-4-3
A1281384	3-5-22	A1285240	3-7-16	A1324075	4-1-5	A1410059	5-4-8
A1281472	5-2-10	A12871472	5-5-3	A1324079	4-1-15	A1410060	5-4-2
A1281580	3-5-3	A1287179	3-7-10	A1324090	4-1-4	A1450014	4-3-4
A1281582	11-3-24	A1287211	5-5-18	A1324091	4-1-2	A1480103	4-3-2~19
A1281582	3-5-25	A1287215	3-7-15	A1324116	4-1-7	A1480104	4-3-1,3~19
A1281583	11-3-27	A1287302	11-5-3	A1324117	4-1-10	A1480105	4-3-2
A1281583	3-5-28	A1287302	3-8-3	A1324118	4-1-9	A1480106	4-3-1
A1281584	11-3-28	A1287303	11-5-11	A1326046	4-2-12	A1480107	4-3-14
A1281584	3-5-29	A1287304	11-5-9	A1326048	4-2-4	A1481040	4-3-13
A1281585	11-3-29	A1287310	11-5-8	A1326050	4-2-2	A1481064	4-3-18
A1281585	3-5-30	A1287314	3-8-11	A1326051	4-2-6	A1481065	4-3-12
A1281586	11-3-33	A1287315	3-8-9	A1326052	4-2-9	A1481066	4-3-3
A1281586	3-5-34	A1287316	3-8-8	A1326067	3-7-18	A1481067	4-3-11
A1281587	11-3-34	A1287317	3-8-10	A1326075	4-2-15	A1481068	4-3-6
A1281587	3-5-35	A1287318	3-8-12	A1380021	3-9-10~12	A1490167	4-4-1
A1281588	11-3-36	A1288065	11-3-26	A1380022	3-9-10	A1610016	6-1-2
A1281588	3-5-37	A1288065	3-5-27	A1380030	3-9-13	A1610035	6-1-1
A1281589	11-3-37	A1288124	3-9-6	A1380031	3-9-8	A1610036	6-1-5
A1281589	3-5-38	A1288125	3-9-5	A1400023	5-2-15	A1610045	6-1-1~5
A1281591	11-3-6	A1290091	3-10-17	A1400260	5-1-1	A1610046	6-1-3
A1281591	3-5-7	A1290132	3-10-18	A1400262	5-3-4	A1630135	6-2-3
A1281592	11-3-9	A1290133	3-10-14	A1400263	5-3-9	A1630144	8-5-26
A1281592	3-5-10	A1290134	3-10-20	A1400264	5-3-2	A1630153	6-4-9
A1281593	11-3-38	A1290135	3-10-16	A1400265	5-5-14	A1630159	6-3-2
A1281593	3-5-39	A1290136	3-10-19	A1400266	5-3-10	A1630201	6-5-8
A1281595	11-3-18	A1290137	3-10-15	A1400267	5-2-30	A1630201	8-5-29
A1281595	3-5-19	A1290138	3-10-8	A1400270	5-2-33	A1630230	6-4-4~9
A1281597	11-3-15	A1290143	3-10-22	A1400271	5-2-19	A1630231	6-4-7
A1281597	3-5-16	A1290145	3-10-23	A1400272	5-5-1	A1630232	6-4-8
A1281598	11-3-32	A1290157	3-10-6	A1400273	5-5-7	A1630245	6-2-1
A1281598	3-5-33	A1290158	3-10-9	A1400274	5-5-17	A1630327	6-2-4
A1281600	11-3-25	A1290159	3-10-7	A1400275	5-5-6	A1630473	6-2-2
A1281600	3-5-26	A1291135	3-11-2	A1400276	5-5-8	A1630473	6-3-1~14
A1281602	11-3-12	A1291145	3-11-7	A1400277	5-5-13	A1630474	6-3-3
A1281602	3-5-13	A1291259	3-11-10	A1400278	5-5-24	A1630475	6-3-13
A1281640	11-3-16	A1291260	3-11-9	A1400294	5-2-21	A1630476	6-3-7
A1281640	3-5-17	A1291261	3-11-8	A1400307	5-2-7	A1630477	6-3-10
A1283016	11-5-6	A1291262	3-11-14	A1400308	5-5-9	A1630478	6-3-14
A1283016	3-8-6	A1291263	3-11-12	A1400309	5-5-10	A1630479	6-3-6
A1283222	3-6-4	A1291264	3-11-11	A1400311	5-2-28	A1630480	6-3-4
A1283225	11-3-3	A1291265	3-11-15	A1400312	5-2-1	A1630481	6-3-11
A1283225	11-4-1	A1291266	3-11-1	A1400313	5-3-22	A1630482	6-3-12

## INDEX

PART NO.	FIG. NO.	PART NO.	FIG. NO.	PART NO.	FIG. NO.	PART NO.	FIG. NO.
A1630483	6-4-2	A1750180	7-3-26	A1824034	8-3-4-6	A1840197	9-2-4
A1630484	6-4-1	A1750181	7-3-27	A1824039	8-6-8	A1840198	9-2-5
A1630485	6-5-10	A1750182	7-3-28	A1825024	8-7-4	A1840199	9-2-6
A1630486	6-5-2,10	A1750187	7-3-31	A1825033	8-7-1	A1850231	9-3-1
A1630487	6-5-6,10	A1750193	7-3-7	A1825034	8-7-9	A1850236	9-3-2
A1630488	6-5-9,10	A1750222	7-3-10	A1825053	8-7-6	A1850237	9-3-3
A1630489	6-5-3,10	A1750225	7-3-18	A1825086	8-7-8	A1870365	9-4-8
A1630492	6-5-4	A1750230	7-3-32	A1825150	8-7-12	A1870366	9-4-6
A1630500	6-5-2	A1750239	7-3-1	A1825151	8-7-14	A1870367	9-4-3
A1630501	6-5-9	A1750240	7-3-2	A1825152	8-7-3	A1870368	9-4-4
A1630502	6-5-3	A1750243	7-3-15	A1825153	8-7-5	A1870369	9-4-5
A1630503	6-5-6	A1750254	7-3-12	A1826036	8-8-13	A1870370	9-4-7
A1650071	4-5-8	A1750256	7-3-23	A1826037	8-8-11	A1870396	9-4-8-9
A1650072	4-5-1~7	A1750269	7-3-25	A1826058	8-8-23	A1877079	2-1-18
A1650074	4-2-10	A1760030	9-1-27	A1826078	8-8-16~21	A1880087	9-5-1
A1650075	4-2-5	A1760031	9-1-28	A1826079	8-8-19	A1880088	9-5-2
A1650076	4-5-3	A1760032	9-1-29	A1826080	8-8-17	A1880089	9-5-3
A1650078	4-5-7	A1760034	9-1-26~29	A1826081	8-8-16	A1880090	9-5-4
A1650079	4-5-12	A1760035	7-4-1	A1826094	8-2-3	A1891030	8-9-2
A1650091	4-5-14	A1760036	7-4-2	A1826121	8-8-1	A1891045	8-9-1
A1650101	4-5-9	A1820052	8-1-6	A1826122	8-8-5	A1891046	8-9-3
A1650102	4-5-13	A1821030	8-2-1	A1826123	8-8-3	A1896086	8-12-13
A1650107	4-5-4	A1821040	8-2-9	A1826124	8-8-4	A1896087	8-12-3
A1653063	4-5-5	A1821043	8-2-8	A1826129	8-8-6	A1896088	8-12-11
A1670118	11-2-5	A1821044	8-2-2	A1828032	8-10-15	A1896089	8-12-12
A1670118	3-3-5	A1822031	8-3-12	A1830220	9-1-4	A1896090	8-12-6
A1670118	4-6-7	A1822073	8-3-1	A1830231	9-1-5	A1896091	8-12-3~10
A1670153	4-7-4	A1822086	8-3-9	A1830240	9-1-6	A1896092	8-12-7
A1670154	4-7-3	A1822094	8-4-2	A1830242	9-1-31	A1896093	8-12-10
A1670156	4-7-1	A1822103	8-4-2~5	A1830248	2-6-4	A1896094	8-12-9
A1670255	4-6-16	A1822104	8-4-4	A1830252	9-1-7	A1896095	8-12-8
A1670290	4-6-11~15	A1822106	8-4-5	A1830257	9-1-8	A1896189	8-10-1
A1670291	4-6-15	A1823132	8-5-28	A1830258	9-1-9	A1896275	8-10-3~8
A1670292	4-6-1	A1823245	6-5-7	A1830277	8-10-12	A1896333	8-13-10
A1670293	4-6-2	A1823245	8-5-30	A1830283	9-1-10	A1896336	8-10-10
A1670327	4-6-21	A1823333	8-5-10	A1830286	9-1-11	A1896346	8-13-3
A1730062	7-1-2	A1823334	8-5-5	A1830288	9-1-12	A1896349	8-13-6
A1730075	9-1-26	A1823335	8-5-2	A1830328	9-1-13	A1896468	8-11-3
A1730203	7-1-3	A1823336	8-5-8	A1830334	9-1-32	A1896469	8-13-4
A1730204	7-1-1	A1823396	8-5-13	A1830417	9-1-14	A1896470	8-13-5
A1730205	7-1-4	A1823399	8-5-27	A1830494	9-1-15	A1896471	8-13-3~6
A1740003	7-2-1	A1823400	8-5-19	A1830495	9-1-16	A1896477	8-11-1
A1740029	7-2-5	A1823401	8-5-20	A1830496	9-1-17	A1896507	8-13-2
A1740030	7-2-6	A1823403	8-5-23,26	A1830497	9-1-18	A1896508	8-13-1
A1741021	7-2-2	A1823404	8-5-23	A1830498	9-1-19	A1896519	8-10-9
A1750127	7-3-4	A1823407	8-5-24,26	A1830500	9-1-20	A1896539	8-13-12
A1750128	7-3-5	A1823408	8-5-31	A1830502	9-1-21	A1970201F	2-4-12
A1750137	7-3-6	A1823409	8-5-25,26	A1830512	9-1-22	A1970201F	8-5-18
A1750139	7-3-3	A1823411	8-5-25	A1830513	9-1-23	A1970201G	2-4-15
A1750140	7-3-8	A1823413	8-5-24	A1830515	9-1-24	A1970201H	2-4-14
A1750141	7-3-9	A1824026	8-6-5	A1830521	9-1-25~33	A1970201H	2-5-8
A1750153	7-3-34	A1824028	8-3-10	A1840164	9-2-1	A1970201K	2-5-4
A1750161	7-3-11	A1824030	8-3-4	A1840194	9-2-2	A1970203	3-2-7
A1750178	7-3-30	A1824032	8-6-3	A1840195	9-2-3	A1970233	6-4-6

## INDEX

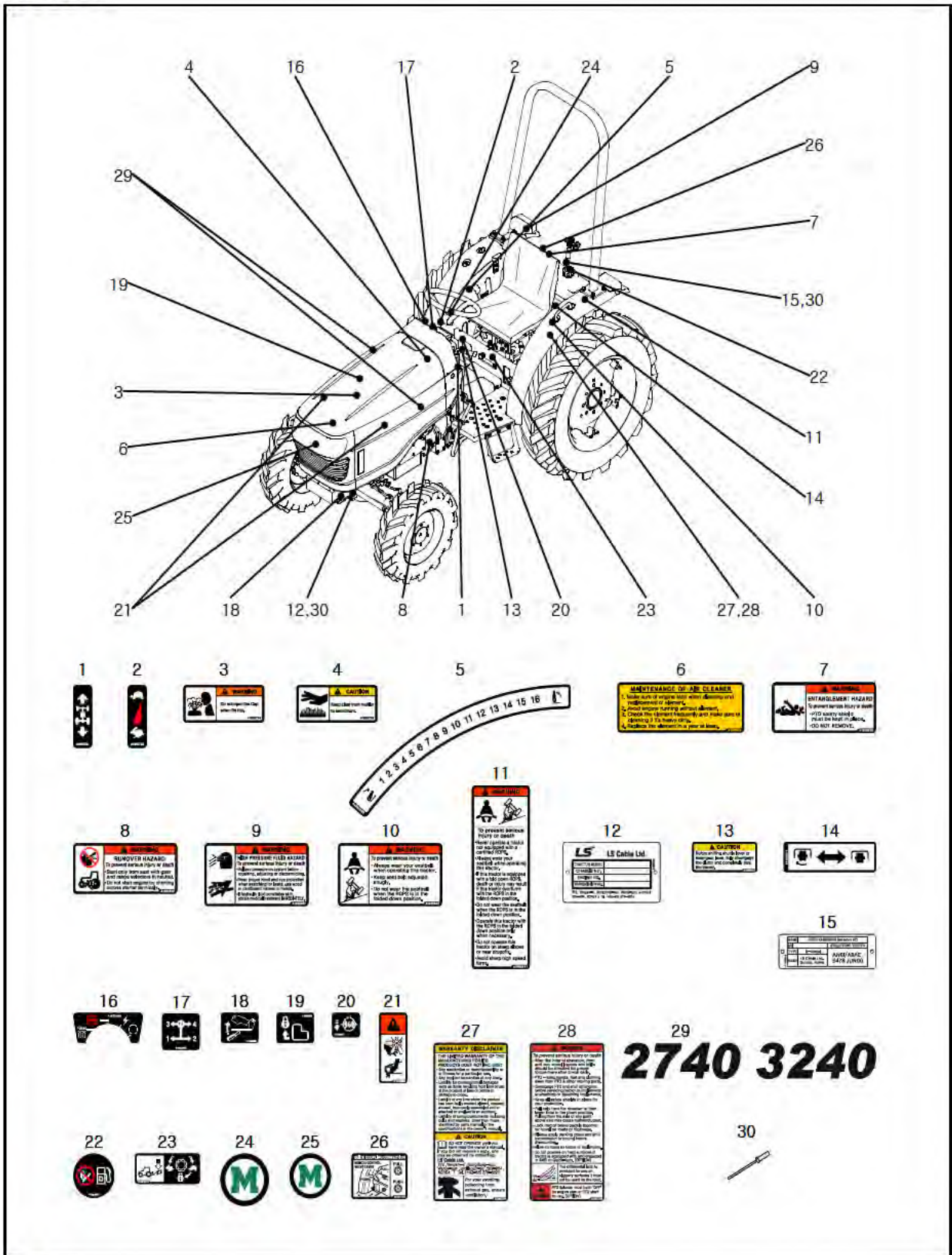
PART NO.	FIG. NO.	PART NO.	FIG. NO.	PART NO.	FIG. NO.	PART NO.	FIG. NO.
A1970236	11-1-4	S101144043	9-5-5	S154124533	5-1-4	S345060013	7-4-3
A1970241	3-11-19	S101144543	4-3-24	S155063033	6-5-5	S345060013	9-1-30
A1970241	4-7-6	S102141243	4-3-20	S155082033	2-4-8	S345060013	9-1-42
A1970269	9-1-34	S103104043	11-2-15	S155082033	2-5-3	S345080013	11-2-3
A1970275	3-10-1	S103104043	3-3-15	S155082033	2-6-8	S345080013	3-3-3
A1970279	9-1-35	S103125043	8-8-10	S155082533	2-1-21	S345080013	4-6-3
A1970279	9-4-9	S103163043	4-4-2	S155085033	8-3-2	S345080013	8-8-15
A1970286	2-2-2	S103164043	5-1-2	S155124533	9-5-7	S345080013	9-1-43
A1970299	8-7-11	S105082043	4-1-16	S155125533	9-5-8	S345080013	9-4-14
A1970303	9-1-36	S105123543	3-4-2	S156102033	4-7-2	S345120013	9-4-15
A1970310	2-1-11	S105124543	8-1-1	S156102533	4-3-10	S346100013	2-4-3
A1970310	2-1-19	S105126043	8-1-4	S156103533	4-3-9	S346100013	9-1-44
A1970346	9-4-10	S105128543	8-1-3	S156103533	4-7-5	S346100013	9-3-5
A1970360	2-4-2	S106081043	11-1-11	S159061633	7-3-17	S361080013	11-1-10
A1970372	8-8-14	S107103043	8-5-17	S159061633	9-1-39	S361080013	8-3-13
A1970375	3-11-28	S137144523	4-3-22	S159081633	8-7-13	S361080013	8-7-15
A1970376	3-11-26	S139082533	2-3-4	S159082033	3-11-22	S361100013	5-2-24
A1970377	2-6-9	S139123543	3-4-8	S159082033	9-1-40	S361100013	8-5-16
A1970379	7-3-22	S153081633	8-2-4	S159082033	9-2-8	S361100013	8-7-2
A1970380	2-1-20	S153082033	3-1-3	S159082033	9-3-4	S361120013	3-4-3
A1980437	6-4-11	S153082033	5-5-15	S159082033	9-4-12	S361120013	8-1-2
A1980569	10-2-1	S153082533	8-5-7	S159082533	8-10-11	S361120013	8-8-9
A1980572	10-2-2	S153083533	6-5-1	S159082533	9-1-41	S361140013	6-4-14
A1980620	10-2-3	S153083533	8-5-11	S163081643	5-4-6	S361140013	8-10-14
A1980715	10-2-5	S153084533	8-5-6	S163085043	8-3-8	S361140013	8-13-8
A1980721	10-2-7	S153085033	8-5-15	S165102543	4-2-1	S361140013	8-9-5
A1980722	10-2-8	S153123033	3-2-8	S165105043	5-3-8	S361140013	9-5-9
A1980861	10-2-10	S153123033	3-9-9	S167162523	4-4-3	S361160013	4-4-5
A1980863	10-2-6	S153123033	5-3-17	S224402511	7-3-33	S361160013	5-1-3
A1980932	10-2-12	S153123533	3-2-9	S226401211	7-3-29	S362140013	4-3-21
A1980943	10-2-4	S154102033	11-1-6	S227501211	2-1-12	S363060013	7-2-3
A1980947	10-2-14	S154102033	3-1-9	S234401613	9-1-33	S363080013	8-7-16
A1980948	10-2-9	S154102033	3-2-12	S234501611	9-4-13	S363080013	9-1-45
A1980960	10-2-11	S154102033	4-5-15	S301080043	4-6-18	S363100013	11-2-6
A20063390	3-10-10	S154102033	6-2-5	S301140043	4-3-23	S363100013	3-3-6
A20063390	3-11-4	S154102033	6-4-15	S302100043	5-3-7	S363100013	4-6-8
A20063480	8-8-22	S154102033	7-1-10	S302100043	8-7-10	S363200013	3-11-17
A26799980	4-2-7	S154102033	9-4-11	S302160043	4-4-4	S364080013	8-6-4
A26800340	3-7-11	S154102533	11-1-7	S305060013	7-2-4	S364120013	2-2-5
A30G0005	7-3-14	S154102533	11-5-16	S306010043	11-2-12	S364160013	3-10-25
A3260012	11-2-2	S154102533	2-6-6	S306010043	3-3-12	S364160013	8-12-5
A3260012	3-3-2	S154102533	3-1-10	S306180043	6-1-4	S364240013	4-6-6
A3260012	4-6-4	S154102533	3-8-17	S311120013	3-4-7	S365082013	2-1-22
A5000583	6-4-12	S154102533	5-3-1	S313080043	8-3-7	S365082613	9-4-16
A5001458	6-4-10	S154102533	6-4-3	S313080070	2-3-3	S421081410	3-1-4
A5002130	6-4-10-12	S154102533	8-11-2	S314100013	11-2-9	S423102010	3-2-10
A7200107	9-1-37	S154102533	9-1-38	S314100013	3-11-25	S423102010	3-4-1
Q1250013	2-1-16	S154102533	9-2-7	S314100013	3-3-9	S423102010	4-3-19
Q1550013	5-2-23	S154102533	9-5-6	S314100013	4-6-12	S423102010	5-2-2
Q1800018	7-3-16	S154103033	3-4-6	S314140013	6-4-13	S423102010	5-3-5
Q1800023	7-3-13	S154103033	5-2-31	S314140013	8-13-11	S423103210	4-3-15
S101143543	8-10-13	S154106033	8-4-1	S316140013	3-11-21	S441251613	2-2-3
S101143543	8-13-9	S154106033	8-5-22	S316140013	7-3-24	S441302013	11-2-7
S101144043	8-9-6	S154123533	2-6-5	S345050013	7-1-9	S441302013	3-3-7

## INDEX

PART NO.	FIG. NO.	PART NO.	FIG. NO.	PART NO.	FIG. NO.	PART NO.	FIG. NO.
S441302013	4-6-9	S804070010	11-5-13				
S441403613	6-1-7	S804070010	3-8-14				
S441404013	8-12-4	S804080010	5-2-20				
S443080013	9-1-46	S804080010	8-5-1				
S443100013	4-6-10	S810012001	2-6-3				
S443120013	2-2-6	S810012001	8-7-7				
S446032810	3-9-12	S810020001	11-3-10				
S446052810	3-9-11	S810020001	11-4-4				
S446054510	8-8-8	S810020001	3-5-11				
S446062510	3-10-3	S810020001	3-6-6				
S446062510	3-11-3	S810020001	6-4-4				
S446063512	3-11-23	S810025001	11-3-31				
S446065010	4-1-6	S810025001	3-5-32				
S446065012	5-4-4	S810025001	3-6-3				
S446084012	4-2-17	S810025001	3-7-1				
S446084012	4-6-19	S810025001	3-9-4				
S446084510	8-8-7	S810025001	4-6-5				
S446321010	10-2-13	S810025001	8-5-9				
S466321010	9-1-47	S810030001	8-5-3				
S801006020	8-8-18	S810040001	11-5-10				
S801009010	8-6-2	S810042001	8-2-11				
S801010020	8-8-21	S810058001	4-5-6				
S801010A10	3-10-13	S811032001	11-3-8				
S801010A10	3-11-6	S811032001	3-5-9				
S801011010	8-4-3	S811042001	6-4-5				
S801012010	3-10-24	S811047001	11-4-6				
S801012020	8-3-3	S811047001	11-5-1				
S801014010	6-3-8	S811047001	3-6-1				
S801014020	8-8-2	S811047001	3-8-1				
S801014020	8-8-20	S811047001	3-9-1				
S801016010	3-10-5	S811052001	11-3-13				
S801016010	3-11-16	S811052001	3-5-14				
S801016010	4-2-14	S811052001	3-7-3				
S801016010	8-6-9	S811062001	11-5-5				
S801018010	6-5-11	S811062001	3-7-6				
S801018010	8-5-12	S811062001	3-8-5				
S801018010	8-8-12	S811068001	11-3-4				
S801021010	11-3-5	S811068001	3-5-5				
S801021010	3-5-6	S811072001	3-7-12				
S801021010	4-2-11	S811072001	5-5-20				
S801025010	4-5-10	S811075001	4-3-7				
S801025010	4-6-20	S811075001	5-2-6				
S801025010	5-3-14	S812035001	5-5-23				
S801039010	6-3-5	S812045001	4-3-5				
S801040010	6-3-9	S813035001	6-3-1				
S802025010	5-2-14	S814006003	8-3-6				
S802045010	8-2-6	S814006003	8-6-6				
S802050010	5-2-22	S814009003	8-6-1				
S802065010	5-2-17	S814015001	3-10-26				
S802165010	5-3-3						
S804024010	8-5-14						
S804026010	8-5-21						
S804067010	11-1-8						
S804067010	3-1-11						

# DECAL (980)

FIG.10-1



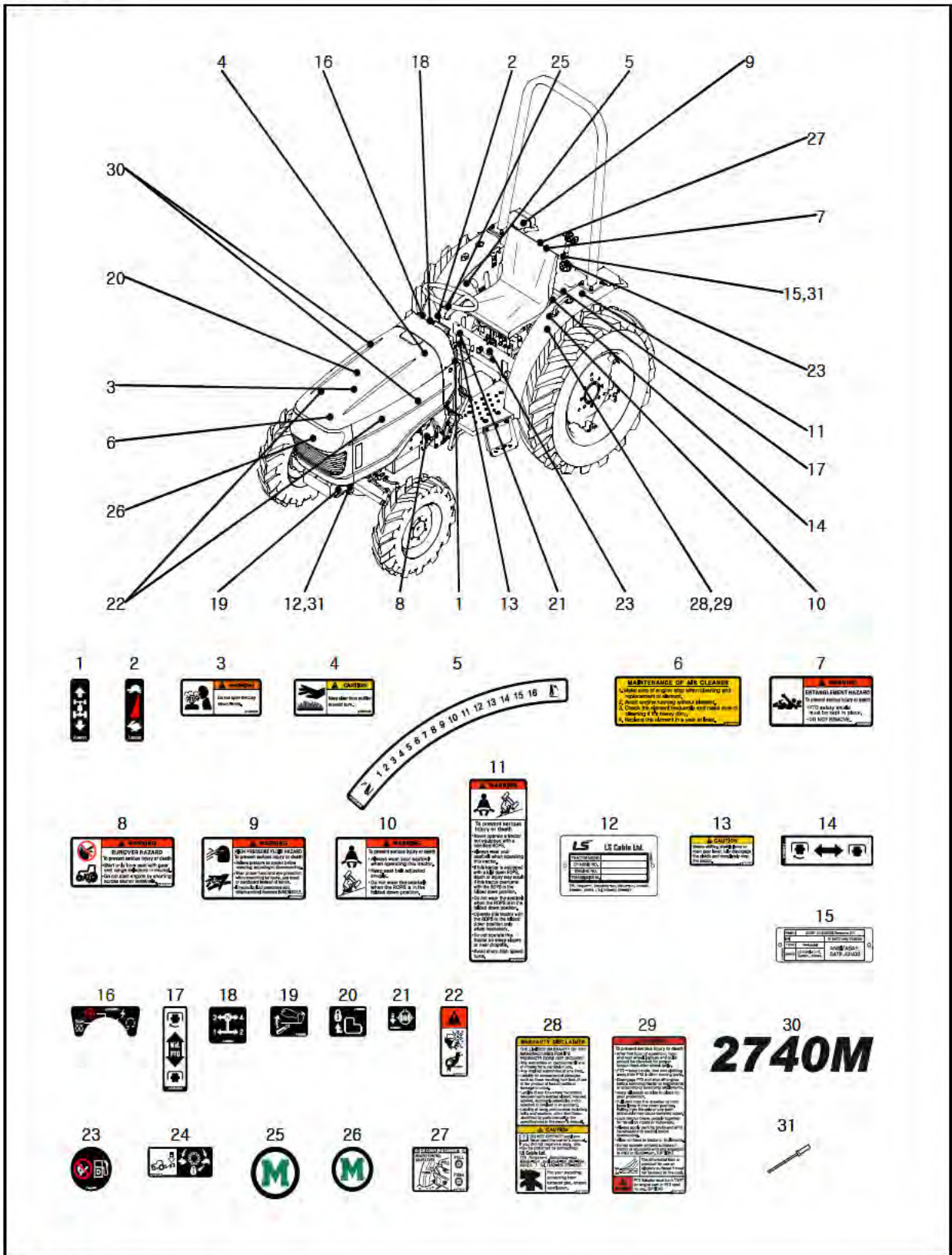
# DECAL (980)

**FIG.10-1      AG**

NO.	PART NO.	PART NAME & DESCRIPTION	QTY		REMARK
			S27	S32	
1	A1980721	DECAL, F-R CHANGE	1	1	
2	A1980722	DECAL, ACC. LEVER	1	1	
3	A1980734	DECAL, WARNING	1	1	
4	A1980736	DECAL, CAUTION	1	1	
5	A1980863	DECAL, POSITION CONTROL	1	1	
6	A1980932	DECAL, AIR CLEANER	1	1	
7	A1980935	DECAL, PTO WARNING	1	1	
8	A1980936	DECAL, START WARNING	1	1	
9	A1980937	DECAL, HYD. OIL WARNING	1	1	
10	A1980940	DECAL, FRAME SEATBELT WARNING	1	1	
11	A1980941	DECAL, ROPS WARNING	1	1	
12	A1980943	NAME PLATE (ENG)	1	1	
13	A1980947	DECAL, SHIFTING CAUTION	1	1	
14	A1980948	DECAL, PTO LEVER	1	1	
15	A1980956	NAME PLATE, ROPS ASAE	1	1	
16	A1980960	DECAL, KEY SWITCH (S)	1	1	
17	A1980983	DECAL, MAIN CHANGE (C)	1	1	
18	A1980985	DECAL, HOOD OPEN	1	1	
19	A1980986	DECAL, HOOK ROD	1	1	
20	A1980987	DECAL, DIFF LOCK	1	1	
21	A1980999	DECAL, FAN/BELT WARNING	2	2	
22	A1981000	DECAL, FUEL	1	1	
23	A1981018	DECAL, FLOW CONTROL	1	1	
24	A1981038	DECAL, MONTANA EMBLEM (HANDLE)	1	1	
25	A1981039	DECAL, MONTANA EMBLEM	1	1	
26	A1981043	DECAL, AUX. CONTROL	1	1	
27	A1981075	DECAL, WARRANTY	1	1	
28	A1981076	DECAL, DRIVER CAUTION (E)	1	1	
29	A1981158	DECAL, MODEL NAME (2740)	2	*	
	A1981160	DECAL, MODEL NAME (3240)	*	2	
30	S466321010	RIVET, BLIND	4	4	

# DECAL (980)

FIG.10-2



# DECAL (980)

**FIG.10-2**

**AG**

**(M/PTO)**

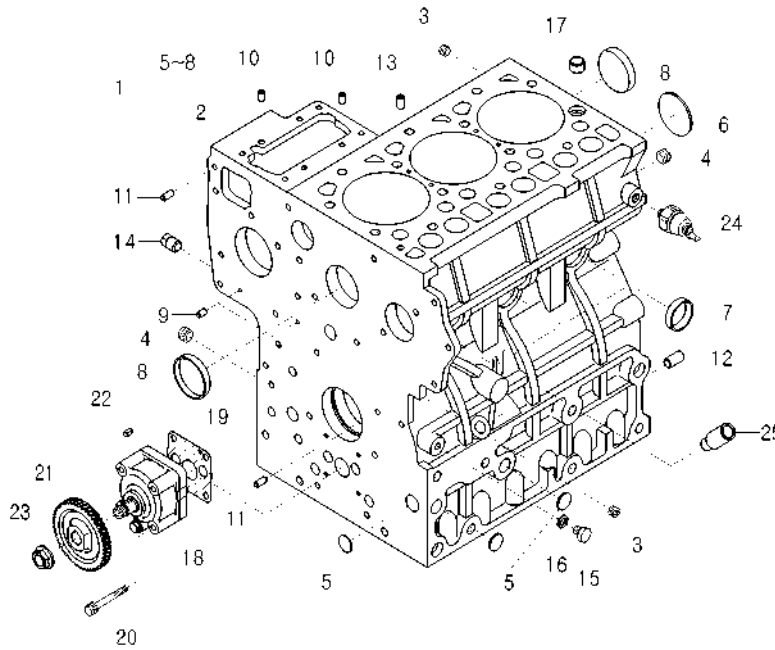
NO.	PART NO.	PART NAME & DESCRIPTION	QTY		REMARK
			S27	S32	
1	A1980721	DECAL, F-R CHANGE	1		
2	A1980722	DECAL, ACC. LEVER	1		
3	A1980734	DECAL, WARNING	1		
4	A1980736	DECAL, CAUTION	1		
5	A1980863	DECAL, POSITION CONTROL	1		
6	A1980932	DECAL, AIR CLEANER	1		
7	A1980935	DECAL, PTO WARNING	1		
8	A1980936	DECAL, START WARNING	1		
9	A1980937	DECAL, HYD. OIL WARNING	1		
10	A1980940	DECAL, FRAME SEATBELT WARNING	1		
11	A1980941	DECAL, ROPS WARNING	1		
12	A1980943	NAME PLATE (ENG)	1		
13	A1980947	DECAL, SHIFTING CAUTION	1		
14	A1980948	DECAL, PTO LEVER	1		
15	A1980956	NAME PLATE, ROPS ASAE	1		
16	A1980960	DECAL, KEY SWITCH (S)	1		
17	A1980965	DECAL, MIDDLE PTO LEVER	1		
18	A1980983	DECAL, MAIN CHANGE (C)	1		
19	A1980985	DECAL, HOOD OPEN	1		
20	A1980986	DECAL, HOOK ROD	1		
21	A1980987	DECAL, DIFF LOCK	1		
22	A1980999	DECAL, FAN/BELT WARNING	2		
23	A1981000	DECAL, FUEL	1		
24	A1981018	DECAL, FLOW CONTROL	1		
25	A1981038	DECAL, MONTANA EMBLEM (HANDLE)	1		
26	A1981039	DECAL, MONTANA EMBLEM	1		
27	A1981043	DECAL, AUX. CONTROL	1		
28	A1981075	DECAL, WARRANTY	1		
29	A1981076	DECAL, DRIVER CAUTION (E)	1		
30	A1981159	DECAL, MODEL NAME (2740M)	2		
31	S466321010	RIVET, BLIND	4		



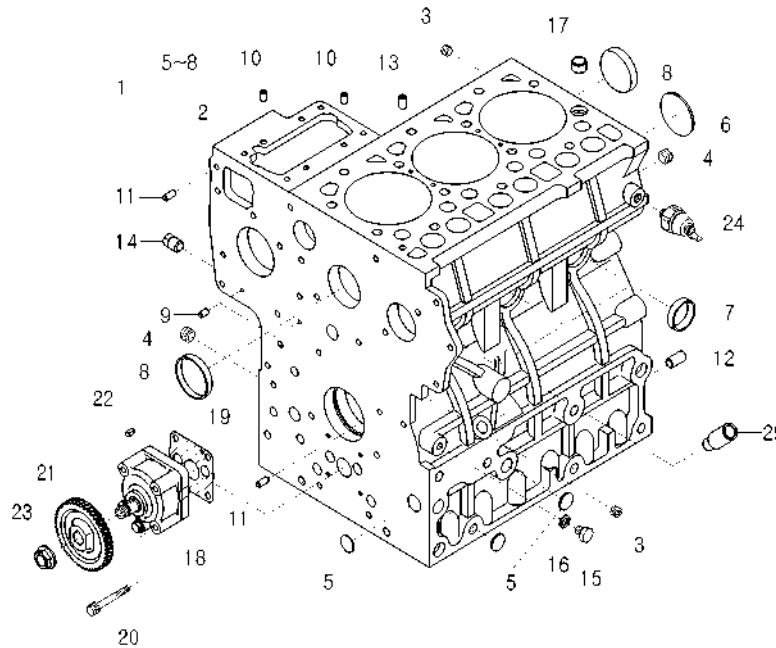
)

E010-1

CYLINDER BLOCK GROUP



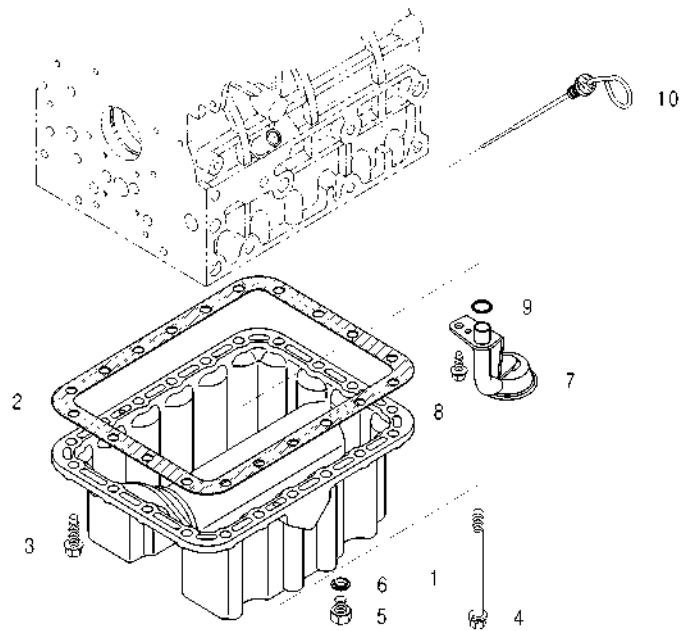
REF.No.	PART No.	DESCRIPTION	Q'TY		REMARK
			27	32	
1	E5800-A1005	CYLINDER BLOCK ASSEMBLY	1		
2	E5800-01116	CYLINDER BLOCK	1		
3	E5900-96021	PLUG	5		
4	E5900-96031	PLUG	2		
5	06311-75018	PLUG	3		
6	06311-75045	PLUG	1		
7	15221-0338-3	SEALING CAP	5		
8	15221-0339-2	SEALING CAP	2		
9	05012-00408	STRAIGHT PIN	2		
10	05012-00609	STRAIGHT PIN	2		
11	05012-00612	STRAIGHT PIN	2		
12	05012-01018	STRAIGHT PIN	1		
13	15221-3365-1	PIPE PIN	1		
14	06312-10020	PLUG	1		
15	15221-3361-1	PLUG	1		
16	15021-3366-1	GASKET	1		
17	E6301-33812	PIPE PIN	1		
18	E6200-35012	OIL PUMP ASSEMBLY	1		
19	E5500-35152	OIL PUMP GASKET	1		
20	01023-50650	BOLT WITH WASHER	4		
21	19202-3566-1	OIL PUMP DRIVE GEAR	1		
22	05712-00410	KEY	1		
23	E6300-35681	FLANGE NUT	1		
24	E5500-39013	OIL SWITCH	1		
25	E6300-35692	OIL GAUGE GUIDE	1		



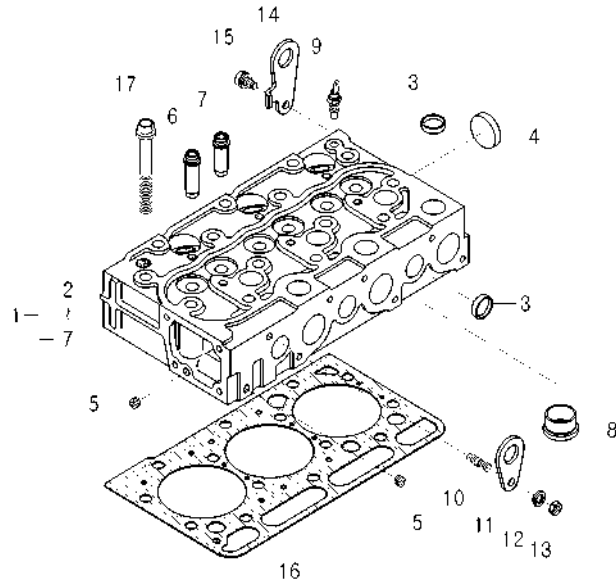
REF.No.	PART No.	DESCRIPTION	Q'TY		REMARK
			27	32	
1	E5600-A0016	CYLINDER BLOCK ASSEMBLY		1	
2	E5600-01121	CYLINDER BLOCK		1	
3	E5900-96021	PLUG		5	
4	E5900-96031	PLUG		2	
5	06311-75018	PLUG		3	
6	06311-75045	PLUG		1	
7	15221-0338-3	SEALING CAP		5	
8	15221-0339-2	SEALING CAP		2	
9	05012-00408	STRAIGHT PIN		2	
10	05012-00609	STRAIGHT PIN		2	
11	05012-00612	STRAIGHT PIN		2	
12	05012-01018	STRAIGHT PIN		1	
13	15221-3365-1	PIPE PIN		1	
14	06312-10020	PLUG		1	
15	15221-3361-1	PLUG		1	
16	15021-3366-1	GASKET		1	
17	E6301-33812	PIPE PIN		1	
18	E6200-35012	OIL PUMP ASSEMBLY		1	
19	E5500-35152	OIL PUMP GASKET		1	
20	01023-50650	BOLT WITH WASHER		4	
21	19202-3566-1	OIL PUMP DRIVE GEAR		1	
22	05712-00410	KEY		1	
23	E6300-35681	FLANGE NUT		1	
24	E5500-39013	OIL SWITCH		1	
25	E6300-35692	OIL GAUGE GUIDE		1	

E020

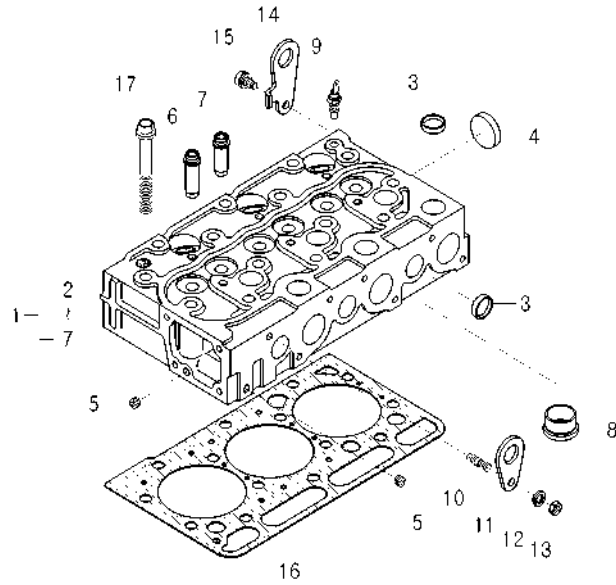
OIL PAN GROUP



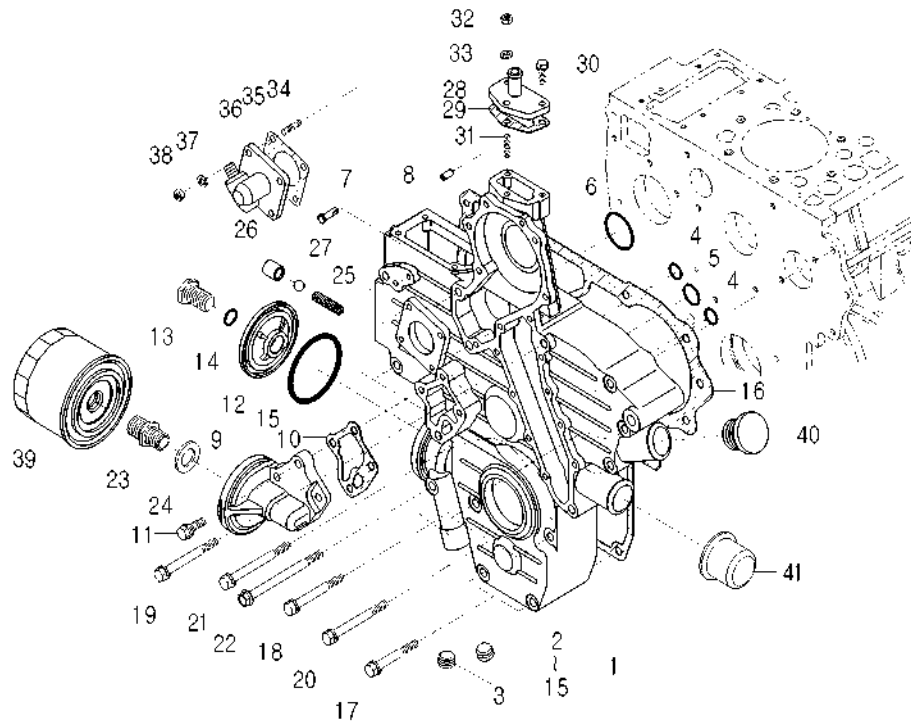
REF.No.	PART No.	DESCRIPTION	Q'TY		REMARK
			27	32	
1	E5600-A0071	OIL PAN ASSEMBLY	1	1	
2	E5500-01622	OIL PAN GASKET	1	1	
3	01674-51032	FLANGE BOLT WITH PIN	18	18	
4	E6200-91092	BOLT WITH WASHER	2	2	
5	15221-3375-2	PLUG	2	2	
6	04717-01200	SEAL WASHER	2	2	
7	E6200-32112	OIL FILTER 1	1	1	
8	01654-50820	FLANGE BOLT WITH PIN	1	1	
9	04811-00160	O RING	1	1	
10	E6305-36411	OIL GAUGE	1	1	



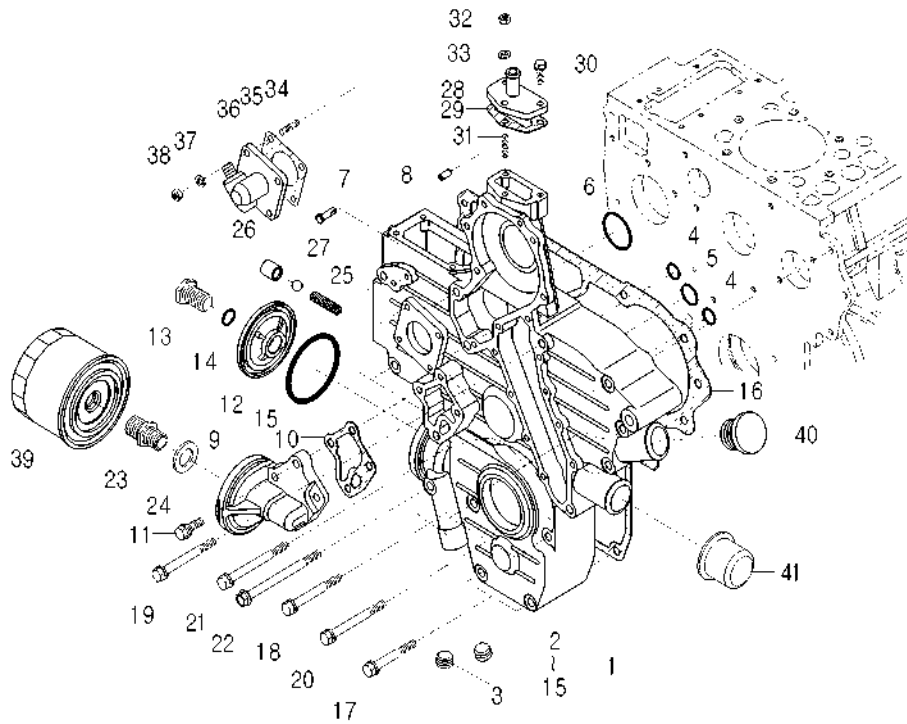
REF.No.	PART No.	DESCRIPTION	Q'TY		REMARK
			27	32	
1	E5800-03041	CYLINDER HEAD ASSEMBLY	1		
2	E5800-03111	CYLINDER HEAD	1		
3	15221-0337-3	SEALING CAP	9		
4	15221-0349-3	SEALING CAP	1		
5	E5900-96021	PLUG	2		
6	E6301-13581	INLET VALVE GUIDE	3		
7	E6301-13561	EXHAUST VALVE GUIDE	3		
8	E6301-03148	HOT PLUG	3		
9	E6300-32831	THERMOMETER SWITCH	1		
10	01513-50822	STUD	1		
11	15221-0175-1	ENGINE HOOK	1		
12	04512-50080	SPRING WASHER	1		
13	02156-50080	NUT	1		
14	E6305-01751	ENGINE HOOK	1		
15	01123-50816	BOLT WITH WASHER	1		
16	E5800-03314	HEAD GASKET	1		
17	E6300-03453	HEAD BOLT	14		



REF.No.	PART No.	DESCRIPTION	Q'TY		REMARK
			27	32	
1	E5600-03048	CYLINDER HEAD ASSEMBLY		1	
2	E5600-03118	CYLINDER HEAD		1	
3	15221-0337-3	SEALING CAP		9	
4	15221-0349-3	SEALING CAP		1	
5	E5900-96021	PLUG		2	
6	E6301-13581	INLET VALVE GUIDE		3	
7	E6301-13561	EXHAUST VALVE GUIDE		3	
8	E6301-03148	HOT PLUG		3	
9	E6300-32831	THERMOMETER SWITCH		1	
10	01513-50822	STUD		1	
11	15221-0175-1	ENGINE HOOK		1	
12	04512-50080	SPRING WASHER		1	
13	02156-50080	NUT		1	
14	E6305-01751	ENGINE HOOK		1	
15	01123-50816	BOLT WITH WASHER		1	
16	E5600-03315	HEAD GASKET		1	
17	E6300-03453	HEAD BOLT		14	



REF.No.	PART No.	DESCRIPTION	Q'TY		REMARK
			27	32	
1	E5800-A0210	GEARCASE ASSEMBLY	1	1	
2	E5800-04119	GEARCASE	1	1	
3	E5800-96031	PLUG	2	2	
4	04811-00150	O RING	2	2	
5	04811-00200	O RING	1	1	
6	04811-00360	O RING	1	1	
7	15221-5628-2	START SPRING PIN	1	1	
8	05012-00612	STRAIGHT PIN	2	2	
9	E6500-32612	OIL FILTER SUPPORT	1	1	
10	E5800-32621	GASKET	1	1	
11	01123-50825	BOLT WITH WASHER	3	3	
12	E5800-32882	COVER	1	1	
13	E5800-32912	COVER BOLT	1	1	
14	04811-00150	O RING	1	1	
15	E5800-96831	O RING	1	1	
16	E5800-04133	GEARCASE GASKET	1	1	
17	01123-50860	BOLT WITH WASHER	3	3	
18	01123-50870	BOLT WITH WASHER	3	3	
19	01123-50875	BOLT WITH WASHER	1	1	
20	01123-50880	BOLT WITH WASHER	3	3	
21	01123-50885	BOLT WITH WASHER	3	3	
22	01754-50801	FLANGE BOLT	2	2	
23	15521-3229-1	JOINT PIPE	1	1	
24	04011-50180	PLAIN WASHER	1	1	
25	15241-3695-2	SPRING	1	1	

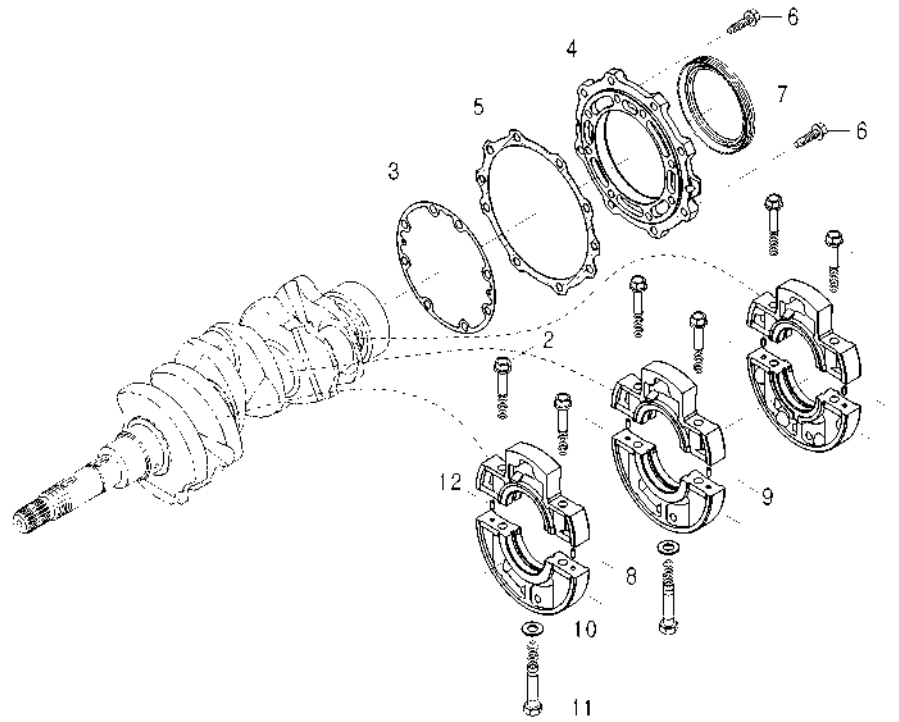


REF.No.	PART No.	DESCRIPTION	Q'TY		REMARK
			27	32	
26	E5500-36932	VALVE SEAT	1	1	
27	07715-03213	STEEL BALL	1	1	
28	15521-7332-1	WATER RETURN FLANGE	1	1	
29	15521-7333-1	WATER RETURN FLANGE GASKET	1	1	
30	01023-50620	BOLT WITH WASHER	2	2	
31	01513-50616	STUD	1	1	
32	02056-50060	NUT	1	1	
33	04512-50060	SPRING WASHER	1	1	
34	15221-8821-1	STUD	4	4	
35	15221-8813-1	HOUR METER GASKET	1	1	
36	E5205-58812	HOUR METER	1	1	
37	04512-50060	SPRING WASHER	4	4	
38	02056-50060	NUT	4	4	
39	E6201-32443	OIL FILTER	1	1	
40	E5800-33143	OIL PLUG	1	1	
41	E5500-74213	WATER PIPE COVER	1	1	



E050

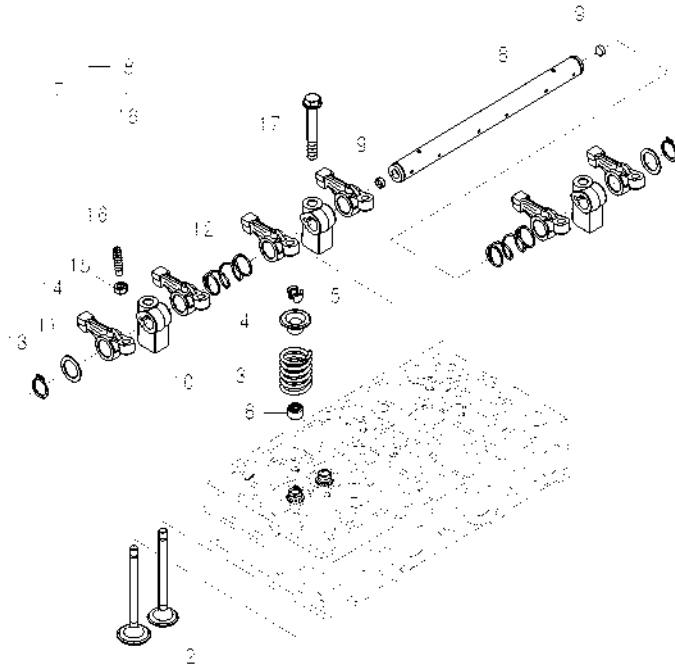
MAIN BEARINGCASE GROUP



REF.No.	PART No.	DESCRIPTION	Q'TY		REMARK
			27	32	
1	E6300-A0033	MAIN BEARING CASE ASSEMBL	1	1	
2	E6300-04542	BEARING CASE BOLT 1	6	6	
3	E6300-04362	BEARING CASE GASKET	1	1	
4	E6300-04812	BEARING CASE COVER	1	1	
5	E6300-04821	BEARING CASE COVER GASKET	1	1	
6	01654-50830	FLANGE BOLT WITH PIN	16	16	
7	E5500-04464	OIL SEAL	1	1	
8	E6300-A0043	MAIN BEARING CASE ASSEMBL	1	1	
9	E6300-A0053	MAIN BEARING CASE ASSEMBL	1	1	
10	15521-9402-1	WASHER	2	2	
11	15291-0456-2	BEARING CASE BOLT 2	2	2	
12	05012-00408	STRAIGHT PIN	6	6	

E080

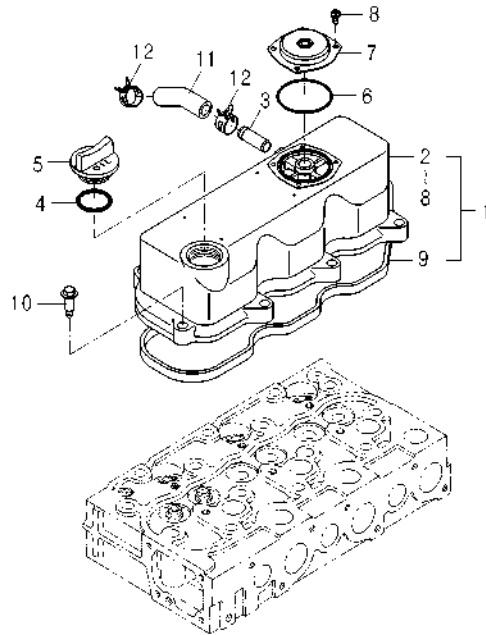
VALVE,ROCKER ARM GROUP



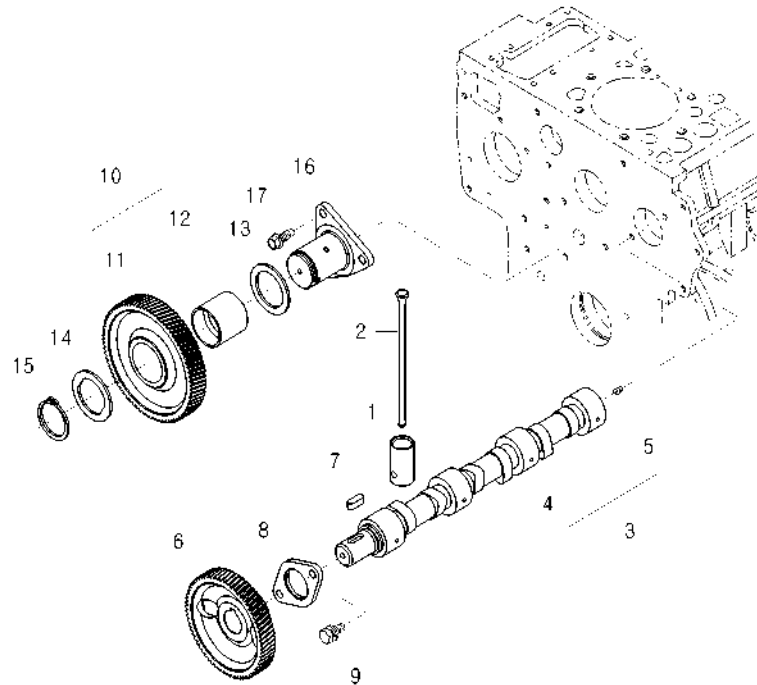
REF.No.	PART No.	DESCRIPTION	Q'TY		REMARK
			27	32	
1	E6301-13111	INLET VALVE	3	3	
2	E6301-13121	EXHAUST VALVE	3	3	
3	15221-1324-2	VALVE SPRING	6	6	
4	E5500-13332	VALVE SPRING RETAINER	6	6	
5	E5500-13362	VALVE SPRING COLLET	12	12	
6	E6301-13151	VALVE STEM SEAL	6	6	
7	E5800-14001	ROCKER ARM SHAFT ASSEMBL	1	1	
8	E5800-14261	ROCKER ARM SHAFT	1	1	
9	E6301-14331	SEALING CAP	2	2	
10	E6301-14351	ROCKER ARM BRACKET	3	3	
11	E6301-14431	PLAIN WASHER	2	2	
12	E6301-14311	ROCKER ARM SPRING	2	2	
13	04612-00190	SNAP RING	2	2	
14	E6301-14111	ROCKER ARM	6	6	
15	15021-1424-1	ADJUSTING NUT	6	6	
16	E5500-14232	ADJUSTING SCREW	6	6	
17	E6510-91501	ROCKER ARM BRACKET BOLT	3	3	

E090

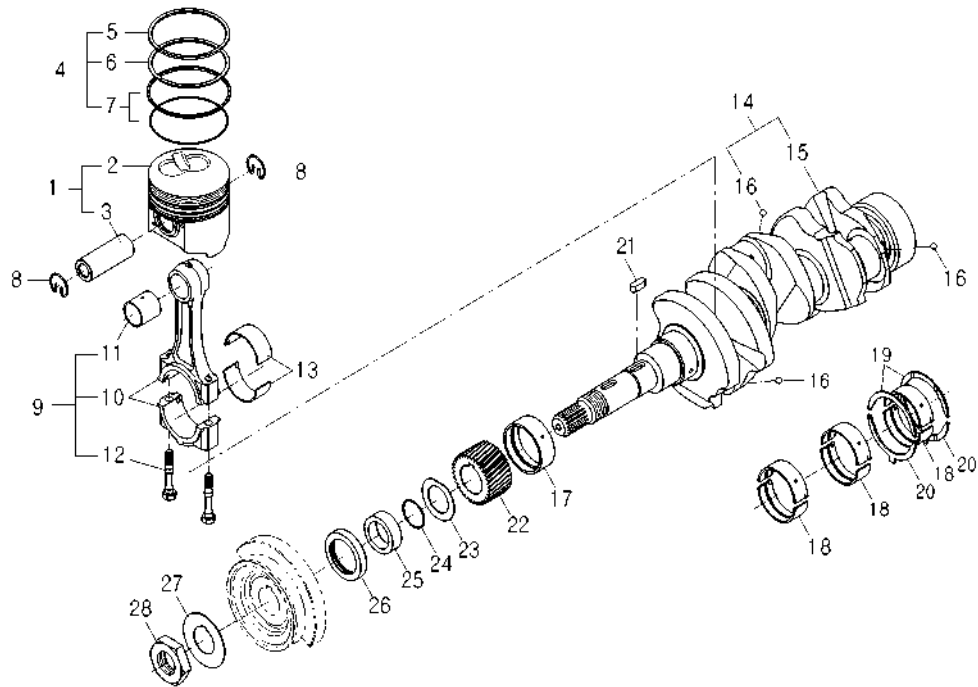
CYLINDER HEAD COVER GROUP



REF.No.	PART No.	DESCRIPTION	Q'TY		REMARK
			27	32	
1	E5850-14502	CYLINDER HEAD COVER ASSEM	1	1	
2	E5850-14512	CYLINDER HEAD COVER	1	1	
3	E6510-05551	BREATHER PIPE CONNECTOR	1	1	
4	04811-50300	O RING	1	1	
5	E5500-33142	OIL FILLER PLUG	1	1	
6	E6510-14671	O RING	1	1	
7	E6510-14532	VALVE COVER	1	1	
8	03024-50510	SCREW	4	4	
9	E5850-14521	CYLINDER HEAD COVER GASKE	1	1	
10	E6510-33661	HEAD COVER BOLT	8	8	
11	E5850-05511	BREATHER PIPE	1	1	
12	09318-88180	BAND	2	2	



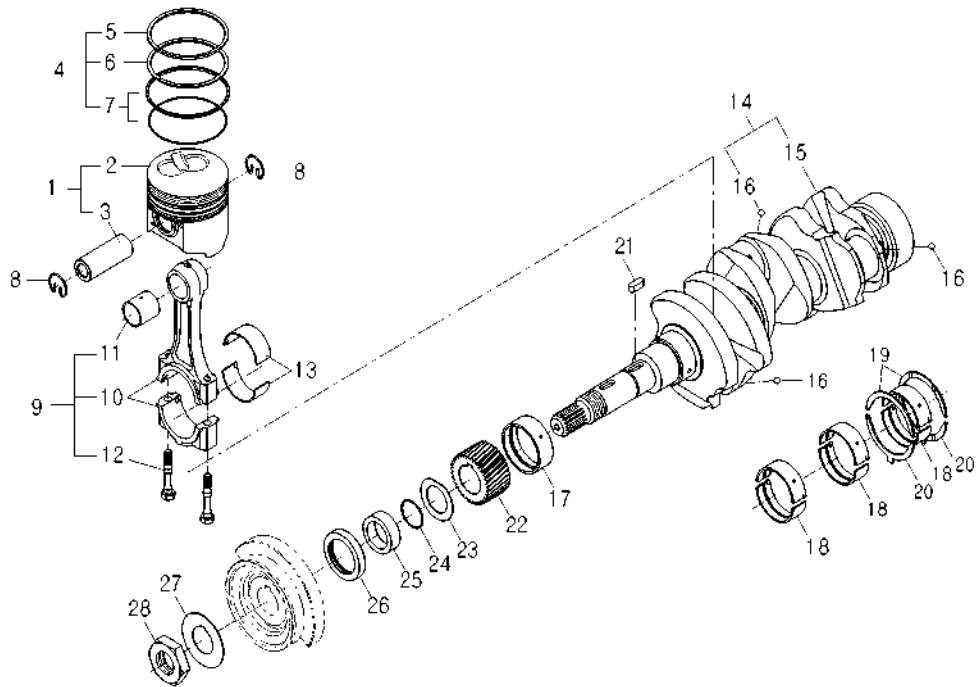
REF.No.	PART No.	DESCRIPTION	Q'TY		REMARK
			27	32	
1	E5500-15553	TAPPET	6	6	
2	E6300-15113	PUSH ROD	6	6	
3	E5600-A0032	CAMSHAFT ASSEMBLY	1	1	
4	E5800-16154	CAMSHAFT	1	1	
5	06350-00607	PLUG	2	2	
6	15521-1651-1	CAMSHAFT GEAR	1	1	
7	05712-00720	KEY	1	1	
8	E5500-16272	CAMSHAFT STOPPER	1	1	
9	01123-50818	BOLT WITH WASHER	2	2	
10	E6300-24012	IDLE GEAR ASSEMBLY	1	1	
11	E6300-24212	IDLE GEAR	1	1	
12	E6300-24281	IDLE GEAR BUSH	1	1	
13	E6300-24361	COLLAR 1	1	1	
14	E6300-24371	COLLAR 2	1	1	
15	E6300-24321	CIR-CLIP	1	1	
16	E6300-24251	IDLE GEAR SHAFT	1	1	
17	01754-50820	FLANGE BOLT	3	3	



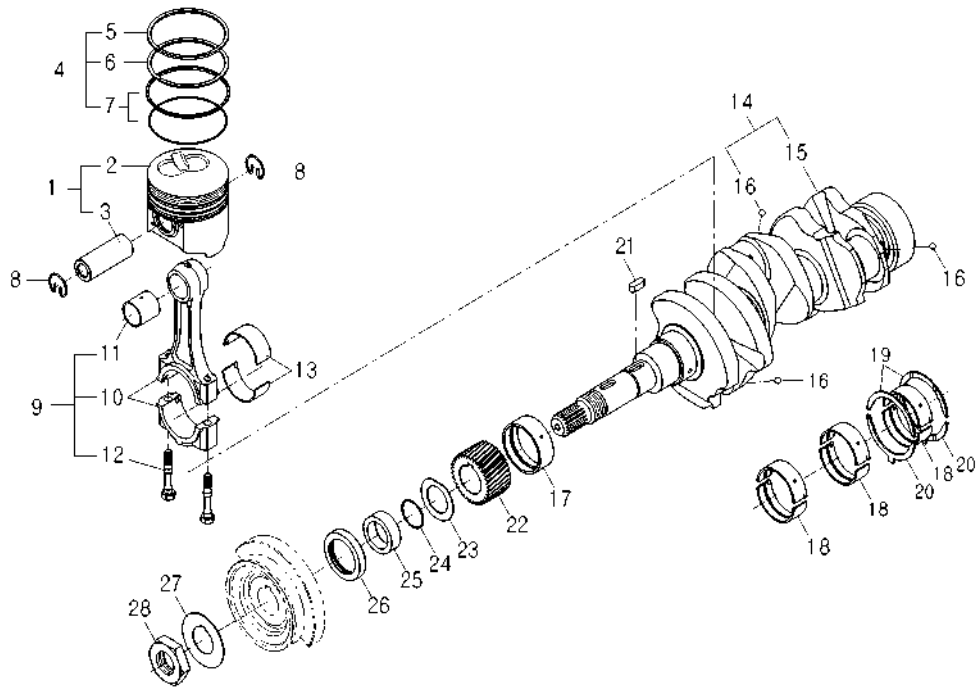
REF.No.	PART No.	DESCRIPTION	Q'TY		REMARK
			27	32	
1	E5800-21018	PISTON ASSEMBLY	3		
2	E5800-21117	PISTON	3		
3	E6300-21313	PISTON PIN	3		
4	E5800-21052	PISTON RING ASSEMBLY	3		
5	E5800-21152	PISTON RING 1	3		
6	E5800-21162	PISTON RING 2	3		
7	E5800-21202	OIL RING ASSEMBLY	3		
8	E6300-21332	CIR-CLIP	6		
9	E6300-22015	CONNECTING ROD ASSEMBLY	3		
10	E6300-22113	CONNECTING ROD	3		
11	E6300-21353	BUSH	3		
12	E5500-22142	CONNECTING ROD BOLT	6		
13	E6300-22312	CRANK PIN METAL	6		
14	E5600-A0094	CRANK SHAFT ASSEMBLY	1		
15	E5800-23114	CRANKSHAFT	1		
16	06350-00607	PLUG	3		
17	E6200-23472	CRANKSHAFT METAL 1	1		
18	E6200-23482	CRANKSHAFT METAL 2	6		
19	15521-2353-1	SIDE METAL 1	2		
20	19202-2354-1	SIDE METAL 2	2		
21	05712-00720	KEY	1		
22	E6200-24112	CRANKSHAFT GEAR	1		
23	15471-2331-1	OIL SLINGER	1		
24	04811-10300	O RING	1		
25	E6510-23251	CRANKSHAFT COLLAR	1		

E110-1

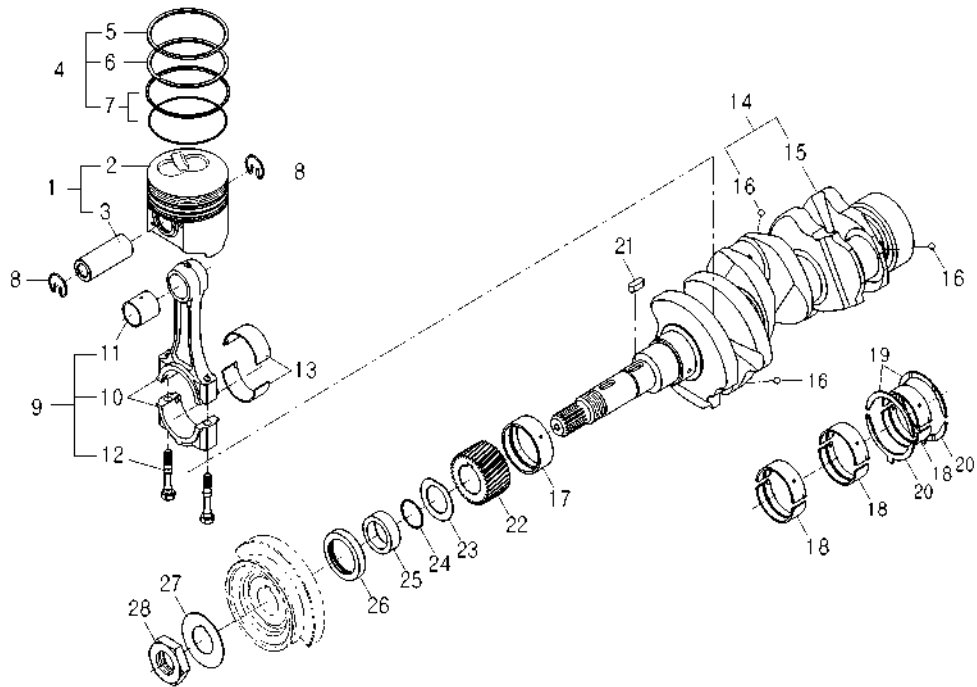
PISTON CRANKSHAFT GROUP



REF.No.	PART No.	DESCRIPTION	Q'TY		REMARK
			27	32	
26	E5500-11302	OIL SEAL	1		
27	E5500-23382	CRANKSHAFT WASHER	1		
28	15221-2336-1	CRANKSHAFT NUT	1		

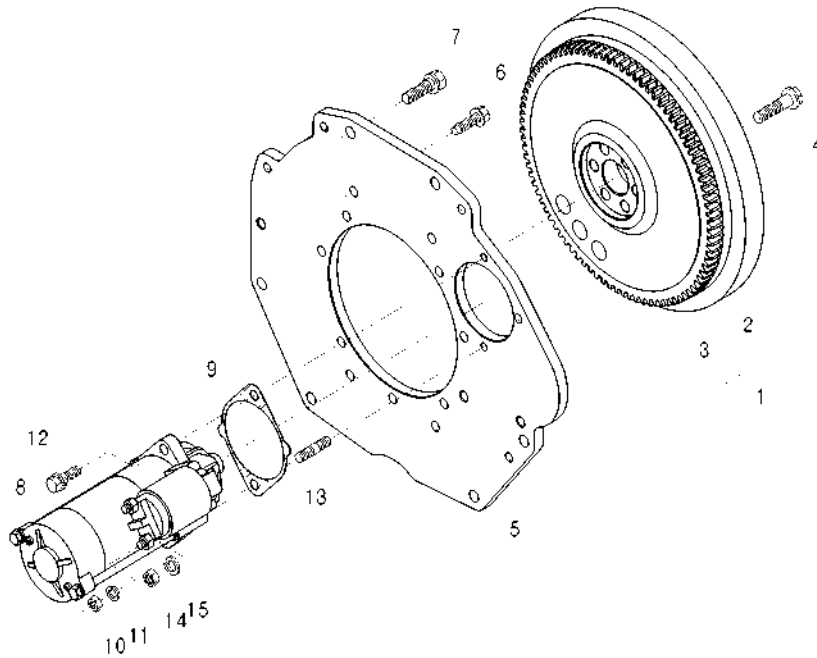


REF.No.	PART No.	DESCRIPTION	Q'TY		REMARK
			27	32	
1	E6301-21016	PISTON ASSEMBLY		3	
2	E6301-21114	PISTON		3	
3	E6300-21313	PISTON PIN		3	
4	E6301-21053	PISTON RING ASSEMBLY		3	
5	E6301-21152	PISTON RING 1		3	
6	E6300-21162	PISTON RING 2		3	
7	E6301-21202	OIL RING ASSEMBLY		3	
8	E6300-21332	CIR-CLIP		6	
9	E6300-22015	CONNECTING ROD ASSEMBLY		3	
10	E6300-22113	CONNECTING ROD		3	
11	E6300-21353	BUSH		3	
12	E5500-22142	CONNECTING ROD BOLT		6	
13	E6300-22312	CRANK PIN METAL		6	
14	E5600-A0094	CRANK SHAFT ASSEMBLY		1	
15	E5800-23114	CRANKSHAFT		1	
16	07715-00401	STEEL BALL		3	
17	E6200-23472	CRANKSHAFT METAL 1		1	
18	E6200-23482	CRANKSHAFT METAL 2		6	
19	15521-2353-1	SIDE METAL 1		2	
20	19202-2354-1	SIDE METAL 2		2	
21	05712-00720	KEY		1	
22	E6200-24112	CRANKSHAFT GEAR		1	
23	15471-2331-1	OIL SLINGER		1	
24	04811-10300	O RING		1	
25	E6510-23251	CRANKSHAFT COLLAR		1	

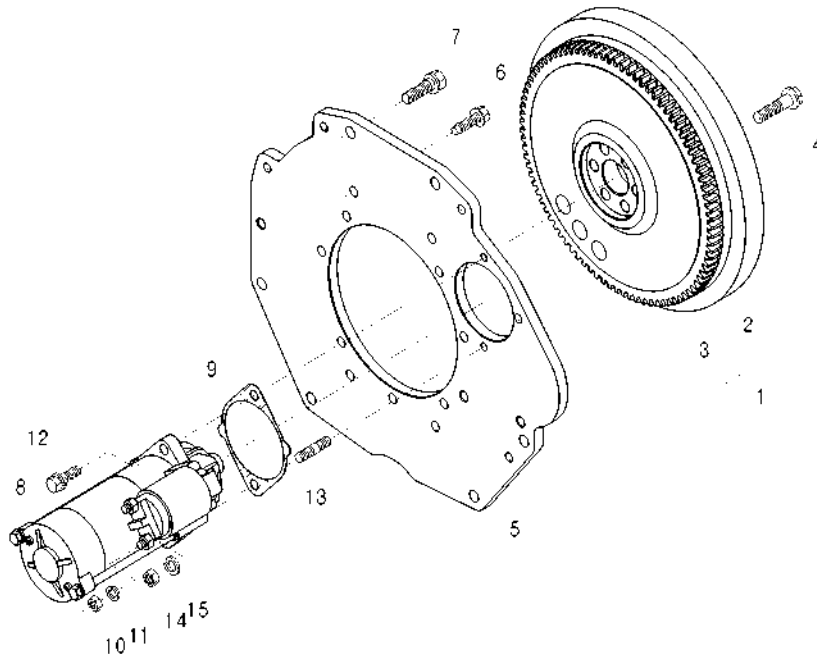


REF.No.	PART No.	DESCRIPTION	Q'TY		REMARK
			27	32	
26	E5500-11302	OIL SEAL		1	
27	E5500-23382	CRANKSHAFT WASHER		1	
28	15221-2336-1	CRANKSHAFT NUT		1	





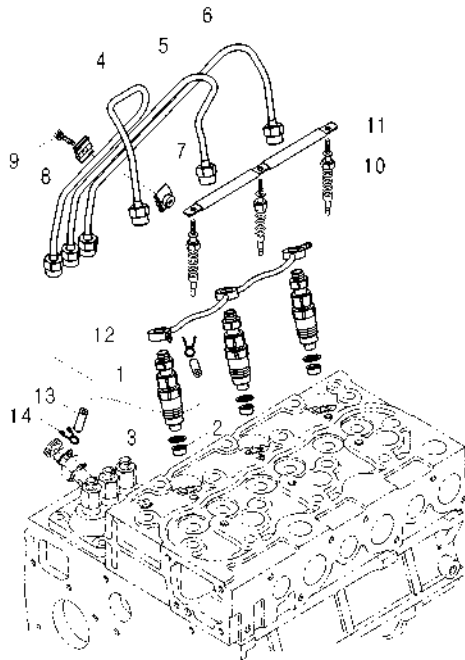
REF.No.	PART No.	DESCRIPTION	Q'TY		REMARK
			27	32	
1	E5602-25011	FLYWHEEL ASSEMBLY	1	1	
2	E5602-25111	FLYWHEEL	1	1	
3	15221-6382-4	RING GEAR	1	1	
4	E5620-25161	FLYWHEEL BOLT	6	6	
5	E5602-04621	REAR END PLATE	1	1	
6	01674-51032	FLANGE BOLT WITH PIN	11	11	
7	01133-51235	BOLT WITH WASHER	2	2	
8	E6530-63012	STARTER	1	1	
9	E6200-04622	GASKET	1	1	
10	02156-50080	NUT	1	1	
11	04512-50080	SPRING WASHER	1	1	
12	01133-51028	BOLT WITH WASHER	1	1	
13	01517-51028	STUD	1	1	
14	02176-50100	NUT	1	1	
15	04512-50100	SPRING WASHER	1	1	



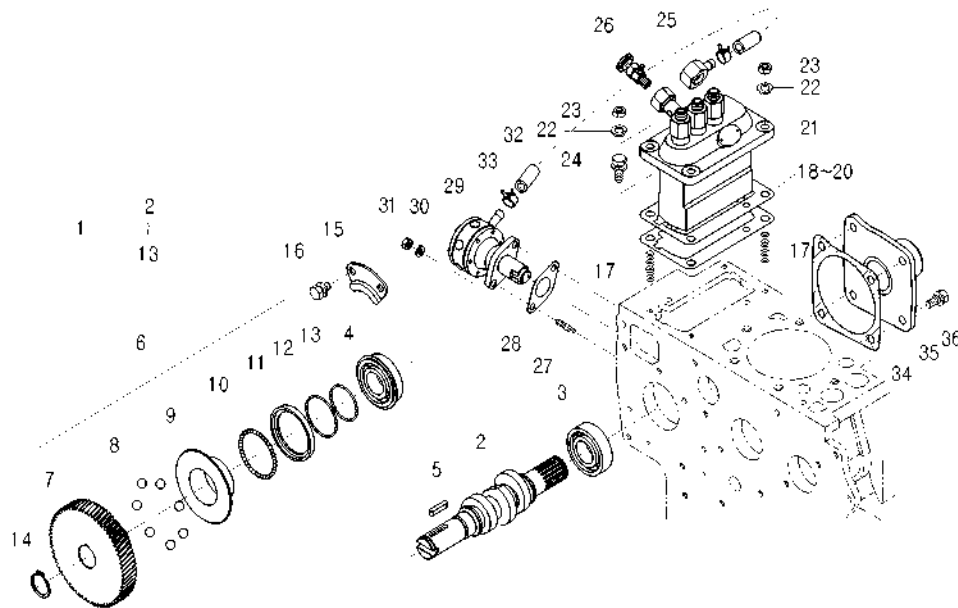
REF.No.	PART No.	DESCRIPTION	Q'TY		REMARK
			27	32	
1	E5603-25012	FLYWHEEL ASSEMBLY	1	1	
2	E5603-25112	FLYWHEEL	1	1	
3	15221-6382-4	RING GEAR	1	1	
4	E5500-25164	FLYWHEEL BOLT	6	6	
5	E5602-04621	REAR END PLATE	1	1	
6	01674-51032	FLANGE BOLT WITH PIN	11	11	
7	01133-51235	BOLT WITH WASHER	2	2	
8	E6530-63012	STARTER	1	1	
9	E6200-04622	GASKET	1	1	
10	02156-50080	NUT	1	1	
11	04512-50080	SPRING WASHER	1	1	
12	01133-51028	BOLT WITH WASHER	1	1	
13	01517-51028	STUD	1	1	
14	02176-50100	NUT	1	1	
15	04512-50100	SPRING WASHER	1	1	

E130

NOZZLE HOLDER GROUP



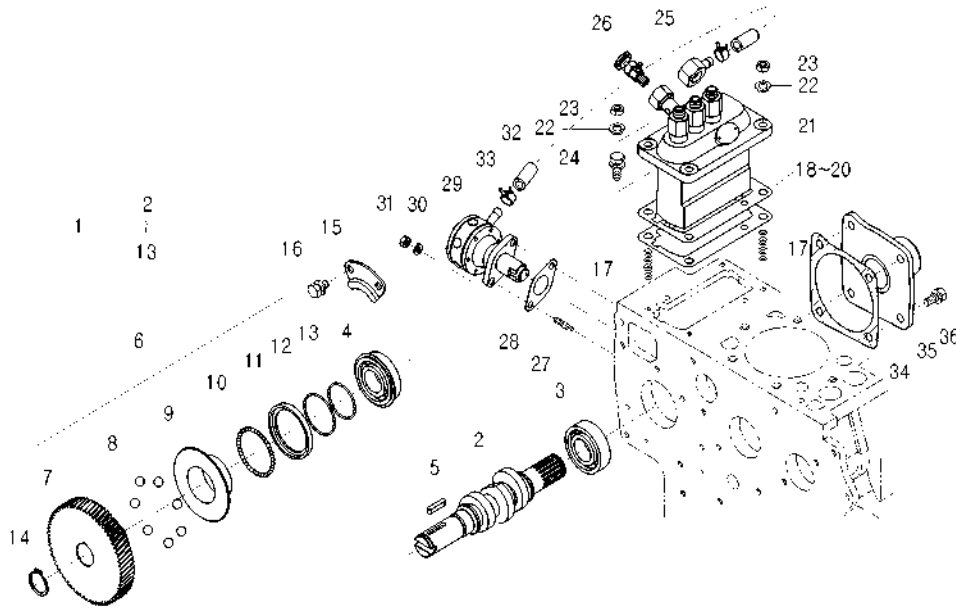
REF.No.	PART No.	DESCRIPTION	Q'TY		REMARK
			27	32	
1	E6300-53004	NOZZLE HOLDER ASSEMBLY	3	3	
2	E6300-53651	HEAT SEAL	3	3	
3	E6300-53621	GASKET	3	3	
4	E5610-53714	INJECTION PIPE 1	1	1	
5	E5610-53723	INJECTION PIPE 2	1	1	
6	E5610-53733	INJECTION PIPE 3	1	1	
7	15121-5385-2	PIPE CLAMP 1	2	2	
8	T4815-67371	PIPE CLAMP	2	2	
9	03024-50520	SCREW WITH WASHER	2	2	
10	E6301-65512	GLOW PLUG	3	3	
11	E5800-65562	GLOW PLUG CORD	1	1	
12	E5800-42501	OVERFLOW PIPE	1	1	
13	09661-40300	FUEL TUBE	1	1	
14	14971-4275-1	PIPE CLAMP	2	2	



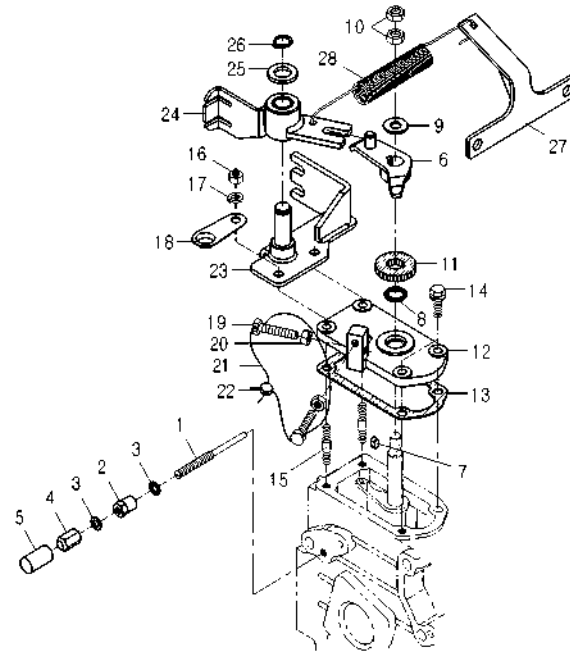
REF.No.	PART No.	DESCRIPTION	Q'TY		REMARK
			27	32	
1	E5610-16022	FUEL CAMSHAFT ASSEMBLY	1	1	
2	E5610-16171	FUEL CAMSHAFT	1	1	
3	08240-00001	BALL BEARING	1	1	
4	08153-06205	BALL BEARING	1	1	
5	05712-00525	KEY	1	1	
6	E6300-A0011	GOVERNOR SLEEVE ASSEMBLY	1	1	
7	E6300-51152	INJECTION PUMP GEAR	1	1	
8	07715-00403	STEEL BALL	7	7	
9	E6300-55452	GOVERNOR SLEEVE	1	1	
10	07715-03205	STEEL BALL	39	39	
11	15221-5569-2	GOVERNOR BALL CASE	1	1	
12	15221-5574-1	BALL CASE CIR-CLIP	1	1	
13	15221-5547-1	CIR-CLIP	1	1	
14	04612-00240	SNAP RING	1	1	
15	15221-1632-1	FUEL CAMSHAFT STOPPER	1	1	
16	01123-50814	BOLT WITH WASHER	2	2	
17	01513-50822	STUD	2	2	
18	E5500-52122	INJECTION PUMP SHIM 1(T0.3)	-	-	
19	E5500-52112	INJECTION PUMP SHIM 2(T0.15)	-	-	
20	E5800-52111	INJECTION PUMP SHIM 3(T0.1)	-	-	
21	E5800-51011	INJECTION PUMP ASSEMBLY	1	1	
22	04512-50080	SPRING WASHER	2	2	
23	02156-50080	NUT	2	2	
24	01123-50822	BOLT WITH WASHER	2	2	
25	E5500-42412	FUEL PIPE JOINT	1	1	

E140

FUEL CAMSHAFT GROUP



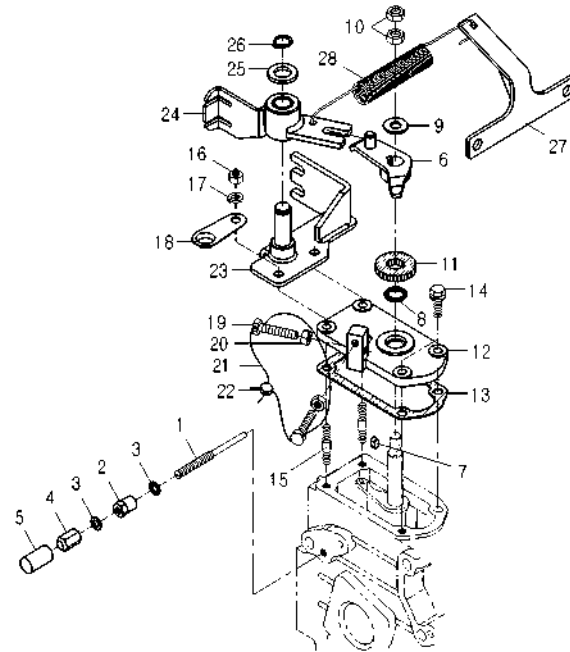
REF.No.	PART No.	DESCRIPTION	Q'TY		REMARK
			27	32	
26	84612-6050-0	JET START COCK ASSEMBLY	1	1	
27	01513-50618	STUD	2	2	
28	15241-5214-1	FUEL PUMP GASKET	1	1	
29	15381-5203-0	FUEL PUMP ASSEMBLY	1	1	
30	04512-50060	SPRING WASHER	2	2	
31	02056-50060	NUT	2	2	
32	15471-4211-1	FUEL HOSE	1	1	
33	14911-4275-1	CLIP	2	2	
34	T4240-36332	FUEL CAMSHAFT COVER GASKET	1	1	
35	E6200-16213	FUEL CAMSHAFT COVER	1	1	
36	01123-50818	BOLT WITH WASHER	4	4	



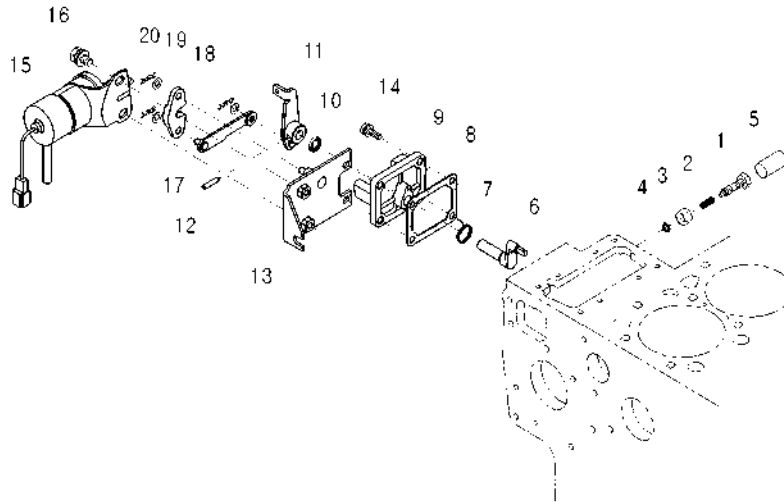
REF.No.	PART No.	DESCRIPTION	Q'TY		REMARK
			27	32	
1	15601-5412-1	ADJUSTING BOLT	1	1	
2	E6305-92021	NUT	1	1	
3	E6305-96652	GASKET	2	2	
4	E6305-54221	CAP NUT	1	1	
5	E6305-54421	CAP	1	1	
6	E5611-57152	SPEED CONTROL LEVER	1	1	
7	05712-00408	KEY	1	1	
8	04811-00120	O RING	1	1	
9	04013-50080	PLAIN WASHER	1	1	
10	02112-50080	NUT	2	2	
11	17011-5738-3	FRICTION PLATE	1	1	
12	E5800-57111	SPEED CONTROL PLATE	1	1	
13	E5800-57211	GASKET	1	1	
14	01023-50620	BOLT WITH WASHER	2	2	
15	01518-50622	STUD	2	2	
16	02056-50060	NUT	2	2	
17	04512-50060	SPRING WASHER	2	2	
18	E5900-72732	PIPE CLAMP	1	1	
19	15108-5728-4	STOPPER	2	2	
20	02056-50060	NUT	2	2	
21	07811-11210	WIRE	1	1	
22	07918-00001	SEALING LEAD	1	1	
23	E5611-57173	ACCELERATOR BRACKET	1	1	
24	E5611-57165	ACCELERATOR LEVER	1	1	
25	04011-50120	PLAIN WASHER	1	1	

E150

SPEED CONTROL LEVER GROUP

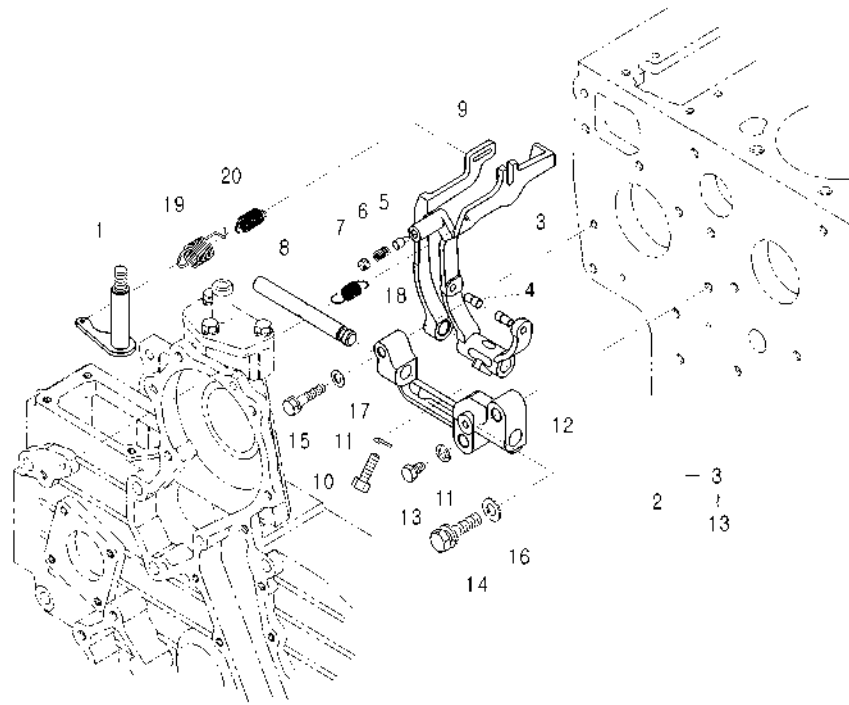


REF.No.	PART No.	DESCRIPTION	Q'TY		REMARK
			27	32	
26	04612-00120	SNAP RING	1	1	
27	E6305-41291	SPRING BRACKET	1	1	
28	52200-4192-1	SPRING	1	1	

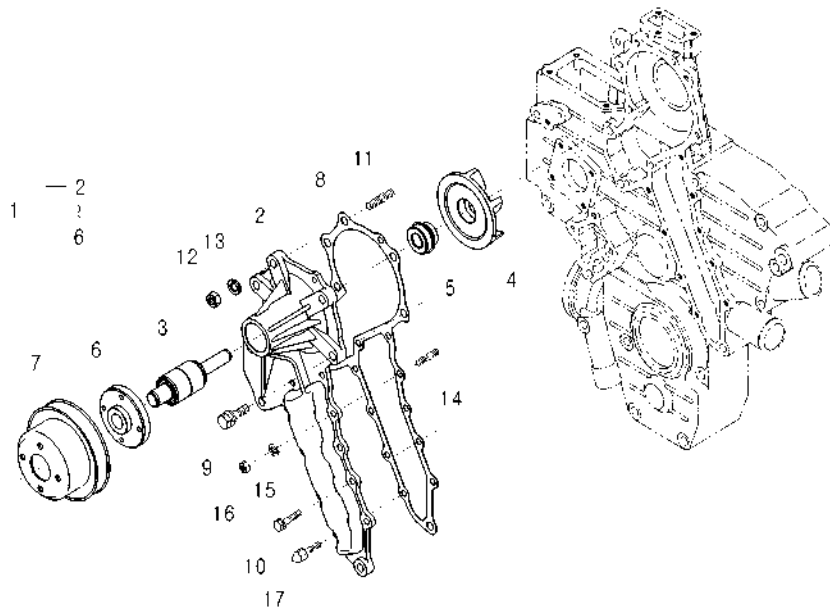


REF.No.	PART No.	DESCRIPTION	Q'TY		REMARK
			27	32	
1	E6200-54252	ADJUSTING BOLT	1	1	
2	15521-5426-1	SPRING	1	1	
3	15471-9201-1	NUT	1	1	
4	04811-00060	O RING	1	1	
5	15521-5427-1	CAP	1	1	
6	E6300-57743	LEVER SHAFT	1	1	
7	E6200-57922	SPRING	1	1	
8	15221-5166-1	PUMP COVER GASKET	1	1	
9	E6200-51654	FUEL INJECTION PUMP COVER	1	1	
10	15471-5798-1	OIL SEAL	1	1	
11	E6200-57731	ENGINE STOP LEVER	1	1	
12	05411-00420	SPRING PIN	1	1	
13	E5800-60111	SOLENOID SUPPORT	1	1	
14	01023-50620	BOLT WITH WASHER	4	4	
15	E5753-60015	STOP SOLENOID ASSEMBLY	1	1	
16	01125-50816	BOLT WITH WASHER	2	2	
17	T4240-32642	STOP LEVER 1	1	1	
18	15471-6016-2	STOP LEVER 2	1	1	
19	04012-50060	PLAIN WASHER	3	3	
20	05525-50600	SNAP PIN	3	3	

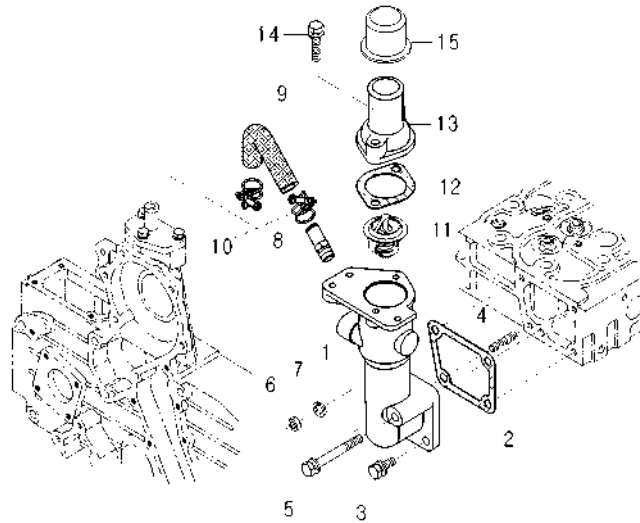




REF.No.	PART No.	DESCRIPTION	Q'TY		REMARK
			27	32	
1	15601-5602-1	GOVERNOR LEVER ASSEMBLY	1	1	
2	E6300-56053	FORK LEVER ASSEMBLY	1	1	
3	E6300-56122	FORK LEVER 1	1	1	
4	15021-5616-4	FORK LEVER PIN 1	2	2	
5	E6200-54172	PIN	1	1	
6	E6300-54231	SPRING	1	1	
7	15601-5443-1	SET SCREW	1	1	
8	15221-5615-1	FORK LEVER SHAFT	1	1	
9	E6300-56131	FORK LEVER 2	1	1	
10	15021-5624-3	LEVER SHAFT BOLT	1	1	
11	04512-50060	SPRING WASHER	2	2	
12	15221-5623-5	FORK LEVER HOLDER	1	1	
13	15221-6641-1	BOLT	1	1	
14	01123-50832	BOLT WITH WASHER	2	2	
15	01023-50628	BOLT WITH WASHER	1	1	
16	04012-50080	PLAIN WASHER	2	2	
17	04012-50060	PLAIN WASHER	1	1	
18	E6300-56481	START SPRING	1	1	
19	E6300-56414	GOVERNOR SPRING 1	1	1	
20	E6313-56421	GOVERNOR SPRING 2	1	1	



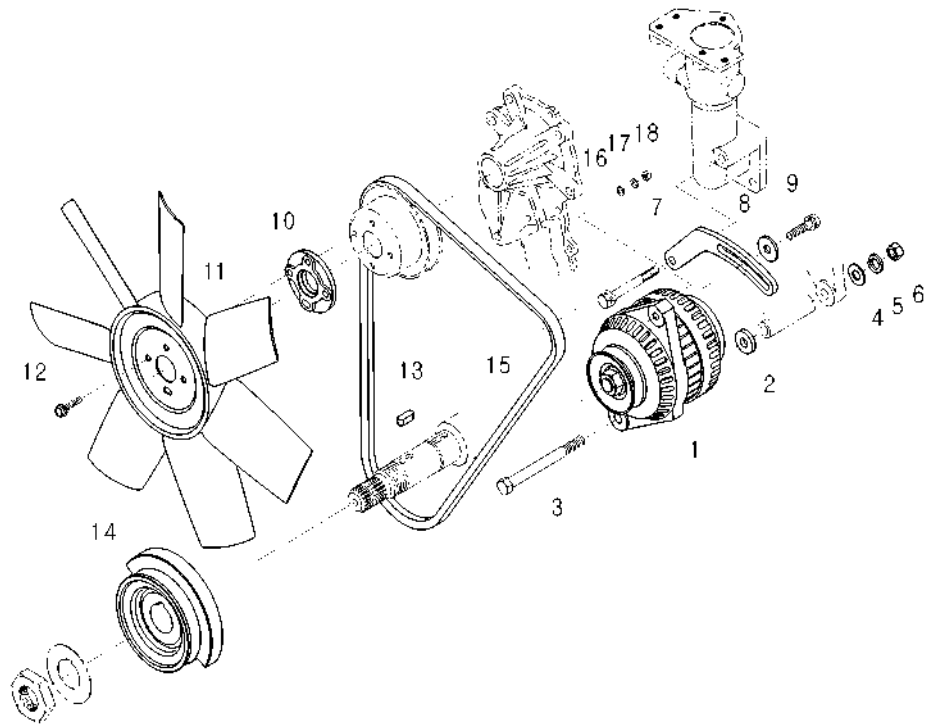
REF.No.	PART No.	DESCRIPTION	Q'TY		REMARK
			27	32	
1	E5800-73036	WATER PUMP ASSEMBLY	1	1	
2	E5800-73415	WATER PUMP BODY	1	1	
3	E5800-73551	WATER PUMP BEARING	1	1	
4	E5800-73513	IMPELLER	1	1	
5	E5800-73052	MECHANICAL SEAL ASSEMBLY	1	1	
6	E5800-73521	FLANGE	1	1	
7	E5616-74252	FAN PULLEY	1	1	
8	E5800-73431	WATER PUMP GASKET	1	1	
9	01123-50828	BOLT WITH WASHER	4	4	
10	01023-50618	BOLT WITH WASHER	7	7	
11	01518-50822	STUD	1	1	
12	02156-50080	NUT	1	1	
13	04512-50080	SPRING WASHER	1	1	
14	15221-8821-1	STUD	1	1	
15	04512-50060	SPRING WASHER	1	1	
16	02056-50060	NUT	1	1	
17	E6201-50619	TIMING BOLT	1	1	



REF.No.	PART No.	DESCRIPTION	Q'TY		REMARK
			27	32	
1	E6520-72911	WATER FLANGE	1	1	
2	15521-7292-1	WATER FLANGE GASKET	1	1	
3	01123-50822	BOLT WITH WASHER	2	2	
4	01513-50822	STUD	1	1	
5	01123-50870	BOLT WITH WASHER	1	1	
6	02156-50080	NUT	1	1	
7	04512-50080	SPRING WASHER	1	1	
8	E5500-73342	WATER RETURN PIPE	1	1	
9	15521-7334-1	WATER RETURN PIPE	1	1	
10	15109-7336-4	PIPE BAND	2	2	
11	E5800-73011	THERMOSTAT ASSEMBLY	1	1	
12	15321-7327-1	THERMOSTAT COVER GASKET	1	1	
13	E5500-73263	THERMOSTAT COVER	1	1	
14	01123-50835	BOLT WITH WASHER	2	2	
15	E5500-74213	WATER PIPE COVER	1	1	

E200

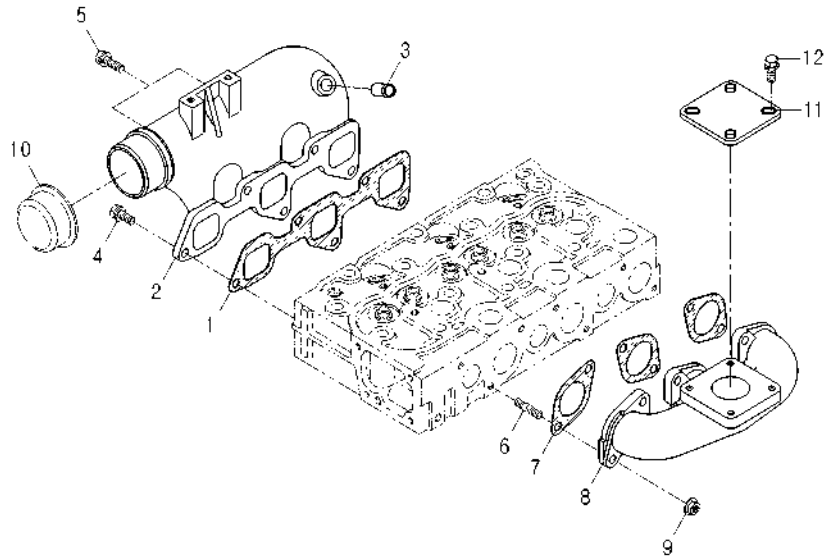
DYNAMO GROUP



REF.No.	PART No.	DESCRIPTION	Q'TY		REMARK
			27	32	
1	E7230-64012	DYNAMO	1	1	
2	E5800-64102	COLLAR	1	1	
3	01173-51005	BOLT	1	1	
4	04013-50100	PLAIN WASHER	1	1	
5	04512-50100	SPRING WASHER	1	1	
6	02176-50100	NUT	1	1	
7	E5800-64422	DYNAMO STAY	1	1	
8	04015-50080	PLAIN WASHER	1	1	
9	01123-50832	BOLT WITH WASHER	1	1	
10	E5602-74151	FAN COLLAR	1	1	
11	15521-7411-1	COOLING FAN	1	1	
12	01754-50625	FLANGE BOLT	4	4	
13	05712-00720	KEY	1	1	
14	E5620-74285	FAN DRIVE PULLEY	1	1	
15	E5800-72531	FAN BELT	1	1	
16	04012-50050	PLAIN WASHER	1	1	
17	04512-50050	SPRING WASHER	1	1	
18	02054-50050	NUT	1	1	

E220

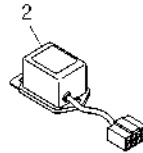
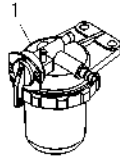
MANIFOLD GROUP



REF.No.	PART No.	DESCRIPTION	Q'TY		REMARK
			27	32	
1	E5800-11821	INTAKE MANIFOLD GASKET	1	1	
2	E5800-11766	INTAKE MANIFOLD	1	1	
3	E6510-05551	BREATHER PIPE CONNECTOR	1	1	
4	01123-50822	BOLT WITH WASHER	5	5	
5	01123-50825	BOLT WITH WASHER	2	2	
6	01513-50822	STUD	6	6	
7	E6301-12351	EXHAUST MANIFOLD GASKET	3	3	
8	E5619-12311	EXHAUST MANIFOLD	1	1	
9	02751-50080	FLANGE NUT	6	6	
10	E6300-11912	INTAKE MANIFOLD COVER	1	1	
11	E5700-12512	EXHAUST MANIFOLD COVER	1	1	
12	01123-50820	BOLT WITH WASHER	4	4	

E250

OPTION GROUP



REF.No.	PART No.	DESCRIPTION	Q'TY		REMARK
			27	32	
1	T4240-35015	FUEL FILTER ASSEMBLY	1	1	
2	T4340-60242	TIMER RELAY	1	1	
3	08121-06002	BALL BEARING	1	1	